



## **SAFETY FIRST !!!!!**

### ***0219-2119-2819-2919-3219-5219 Mission Twin/Full Bunk Bed***

All of Discovery's Bunkbeds were designed and manufactured with your child's safety as our top priority. Their unparalleled strength is a bi-product of the safety design. Our bunks meet all compliance with ASTM F 1427-21 "Standard Consumer Safety Specification for Bunk Beds" and Code of Federal Regulations (CFR) 1213 "Safety Standards for Entrapment Hazards in Bunk Beds" and (CFR) 1513 "Requirements for Bunk Beds".

Safety is a cooperative effort between us as the manufacturer, and you as a guardian. Please read and consider the warnings listed below when choosing a mattress and discussing rules of use with your child.

#### **SAFETY WARNINGS**

1. Follow the information on the warnings appearing on the upper bunk end structure and on the carton. Do not remove warning label from bed.
2. Always use the recommended size mattress or mattress support, or both, to help prevent the likelihood of entrapment or falls.
3. Surface of mattress must be at least 5 inches (127 mm) below the upper edge of guardrails.
4. Do not allow children under 6 years of age to use the upper bunk.
5. Prohibit more than one person on the upper bunk.
6. Periodically, check and ensure that the guardrail, ladder, and other components are in their proper position, free from damage, and that all connectors are tight.
7. Do not allow horseplay on or under the bed and prohibit jumping on the bed.
8. Always use the ladder for entering and leaving the upper bunk.
9. Do not use substitute parts. Contact the manufacturer or dealer for replacement parts.
10. Use of a nightlight may provide added safety precaution for a child using the upper bunk.
11. Always use guardrails on both long sides of the upper bunk. If bunk bed will be placed next to the wall, the guardrail that runs the full length of the bed should be placed against the wall to prevent entrapment between the bed and wall.
12. The use of water or sleep flotation mattresses is prohibited.
13. Keep these instructions for future reference.

**STRANGULATION HAZARD**—Never attach or hang items to any part of the bunk bed that are not designed for use with the bed; for example, but not limited to, hooks, belts and jump ropes

#### **SIZE OF MATTRESS AND FOUNDATION**

Use only mattress meeting the following specifications

<u>Bed Type</u>	<u>Length</u>	<u>Width</u>
Upper Bunk	74"-75"	37 1/2"-38 1/2"
Lower Bunk	74"-75"	52 1/2"-53 1/2"

Ensure thickness of mattress and foundation combined on lower and upper bunk does not exceed 11 inches

Ensure the thickness of the Foundation does not exceed 1-5/8" on lower bunk

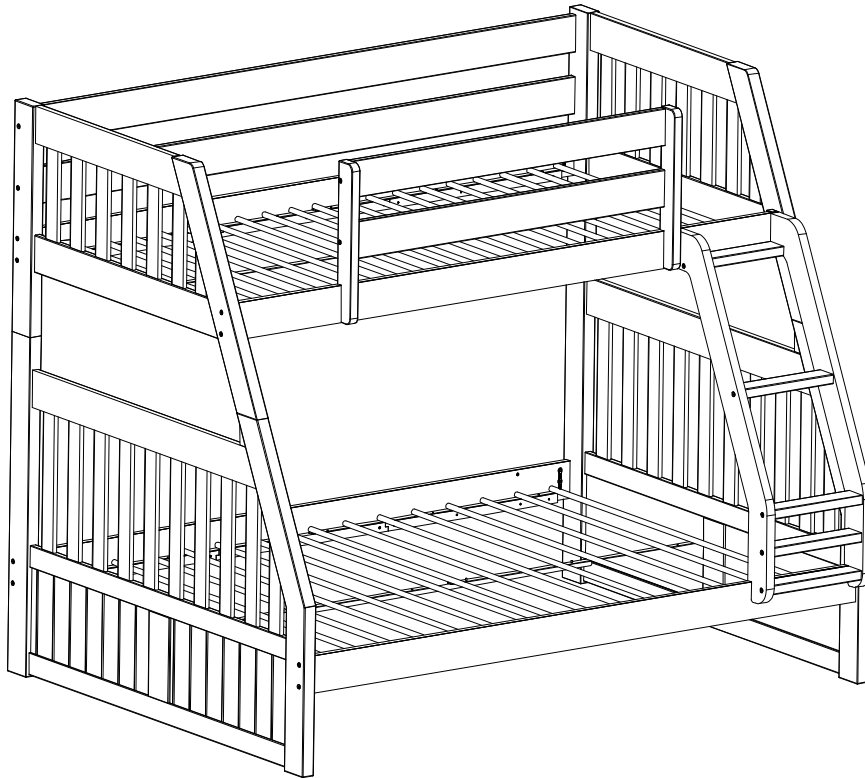
Ensure mattress is at least 5 inches below upper edge of guardrails on the upper bunk.

\*\*\*\*\*Replacement parts, including additional guardrails, may be obtained from any Discovery dealer or directly from us at the below address.

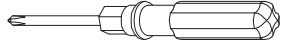
**Website [www.discoveryworldfurniture.com](http://www.discoveryworldfurniture.com)**


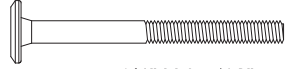




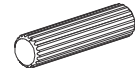

2963 Stonewall Place, Sanford, FL

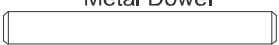



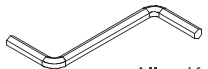

0219-2119-2819-2919-3219-5219 Mission Twin/Full Bunk Bed



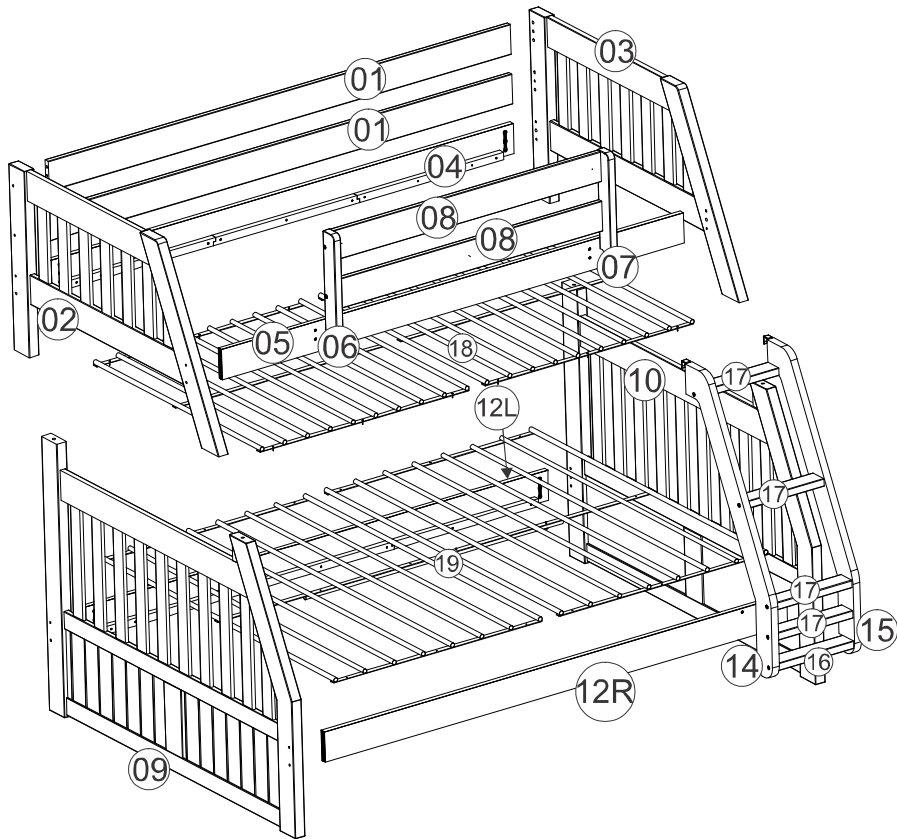
The foundation may vary (Sold separately), please refer to those instructions for proper safe installation

Requires a phillips screw driver not included 

<b>A</b>		 1/4" X 3 5/16"	<b>20</b>
<b>B</b>		 1/4" X 3"	<b>04</b>
<b>C</b>		 1/4" X 2"	<b>15</b>
<b>D</b>		 <b>34</b>	
<b>E</b>		1/8" X 5/8" <b>02</b>	

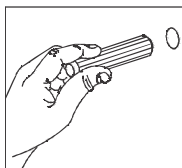
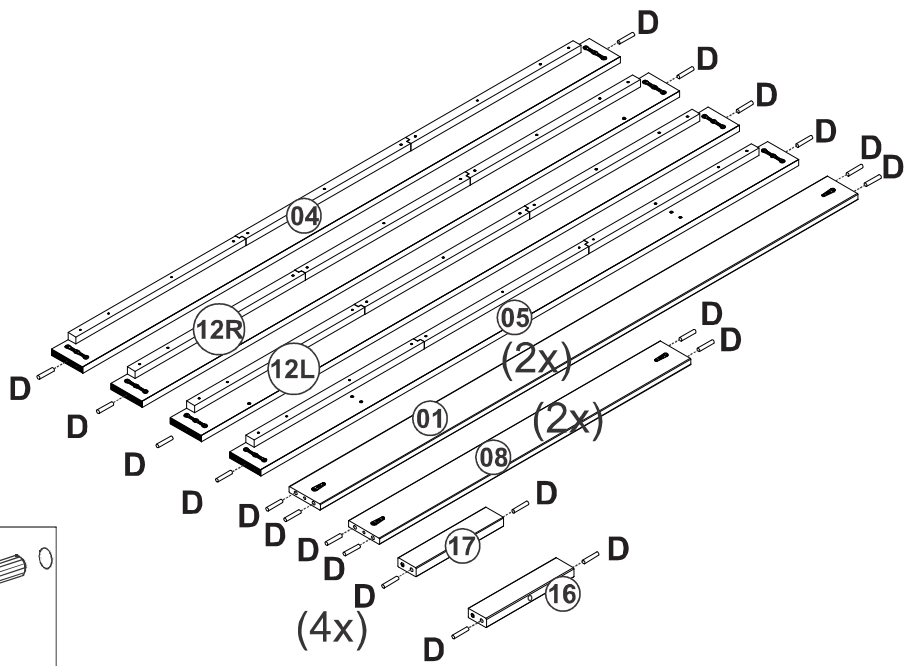
<b>F</b>		 Metal Dowel 3 1/16" <b>04</b>
<b>G</b>		 Mending Plate <b>01</b>
<b>H</b>		 5/32" X 1" <b>02</b>
<b>I</b>		 Allen Key <b>01</b>
<b>J</b>		 Allen bit <b>01</b>

**WARRANTY**  
 Replacement Parts & Limited Lifetime Warranty  
 Discovery World Furniture will replace any component part free of charge for 1 full year via UPS freight collect. In addition, Discovery World Furniture will replace any component part for 50% of the then prevailing retail price plus freight for the lifetime of the product. For service, email your request to: [info@discoveryworldfurniture.com](mailto:info@discoveryworldfurniture.com)



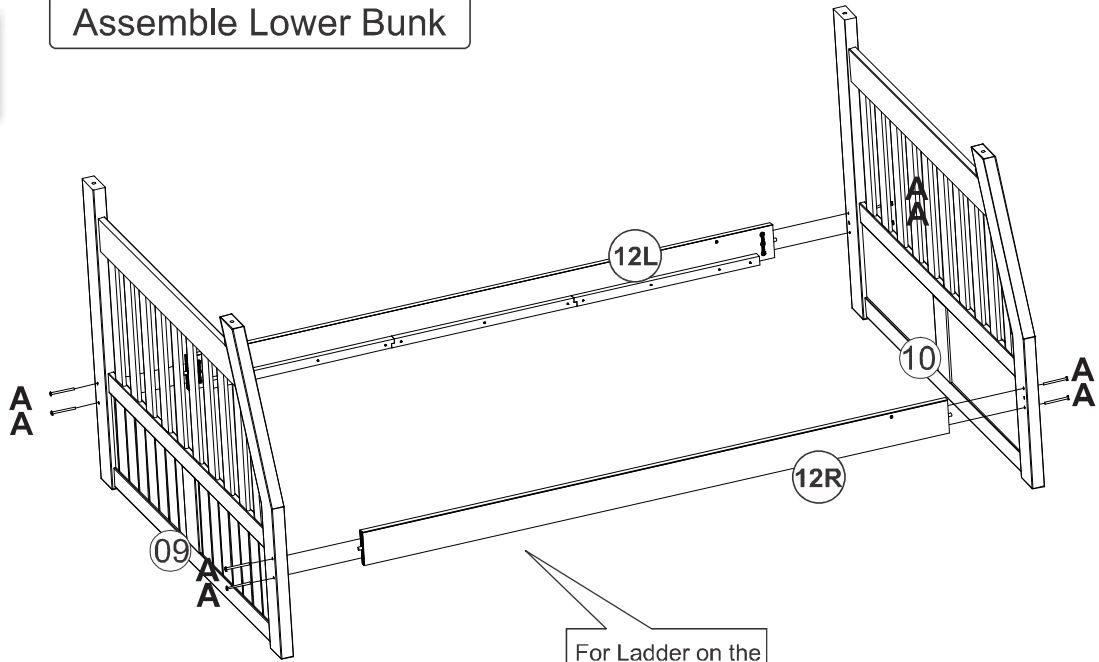
The foundation may vary(Sold separately), please refer to those instructions for proper safe installation

1

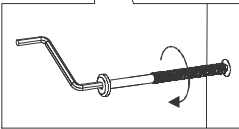


2

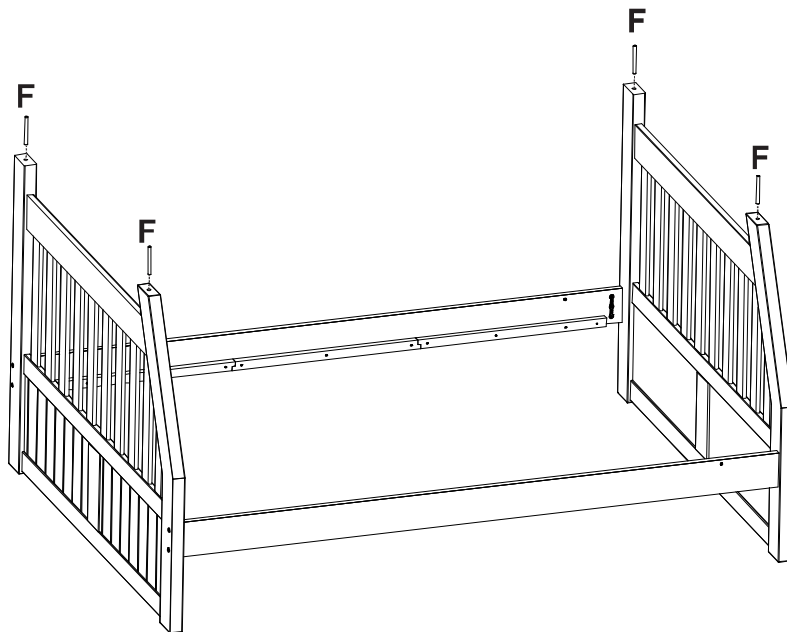
Assemble Lower Bunk



For Ladder on the left side use rail (12L) on the front

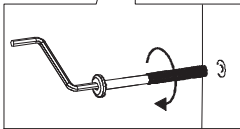
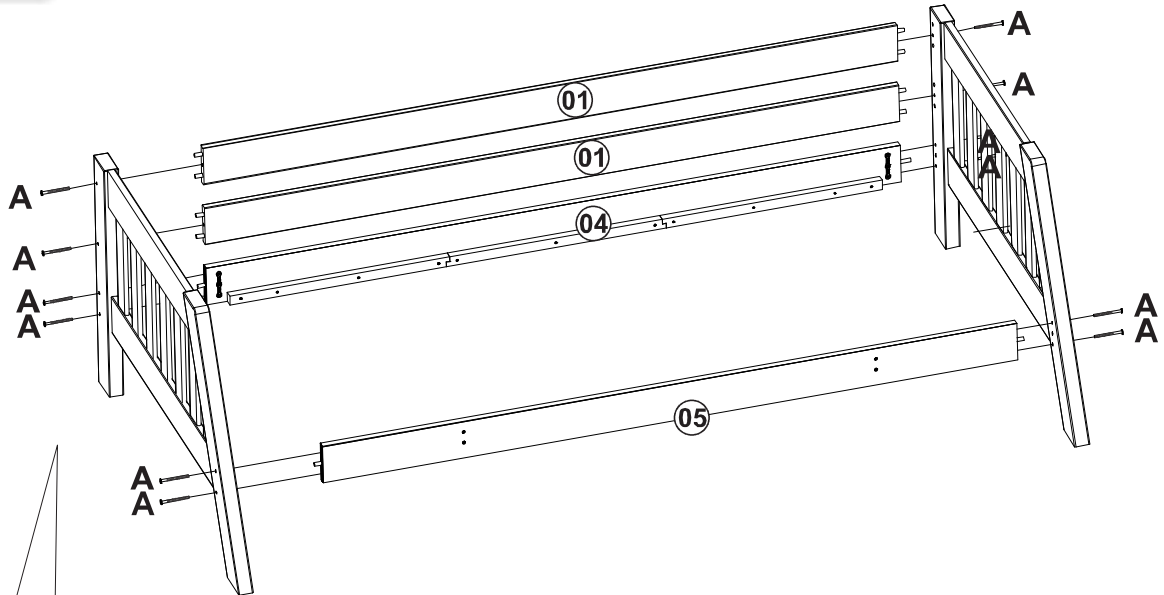


3



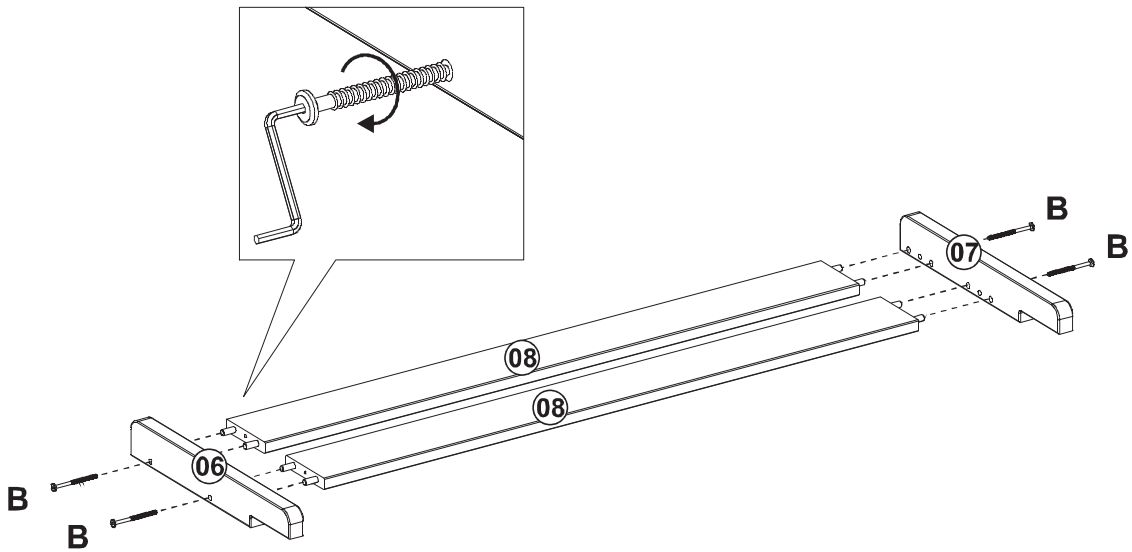
4

Assemble Upper Bunk

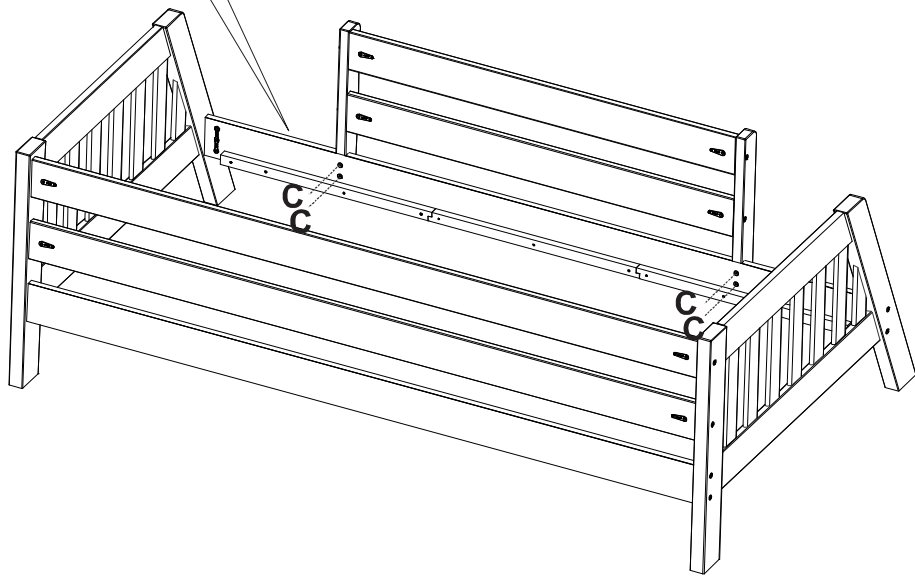
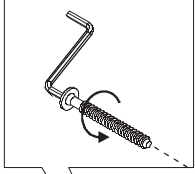


5

Assemble Front Guard Rail

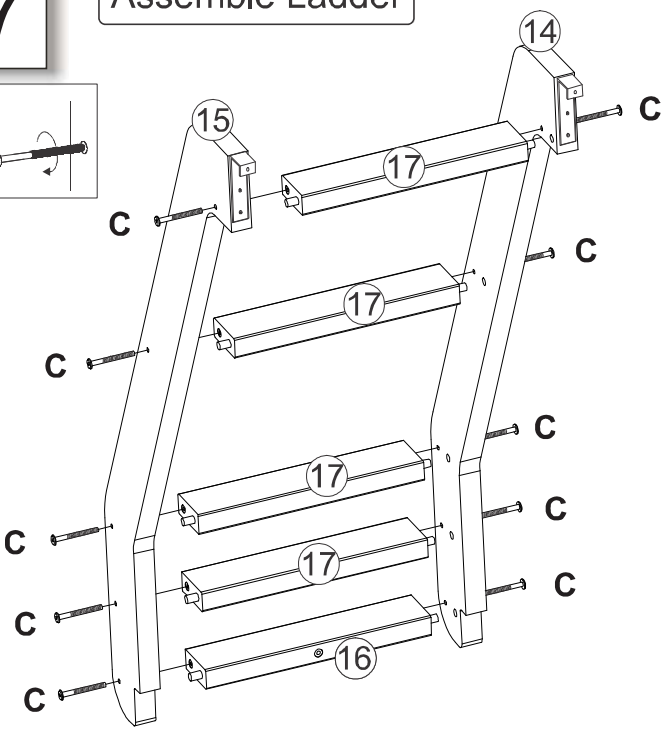
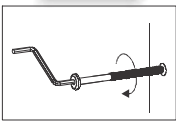


6

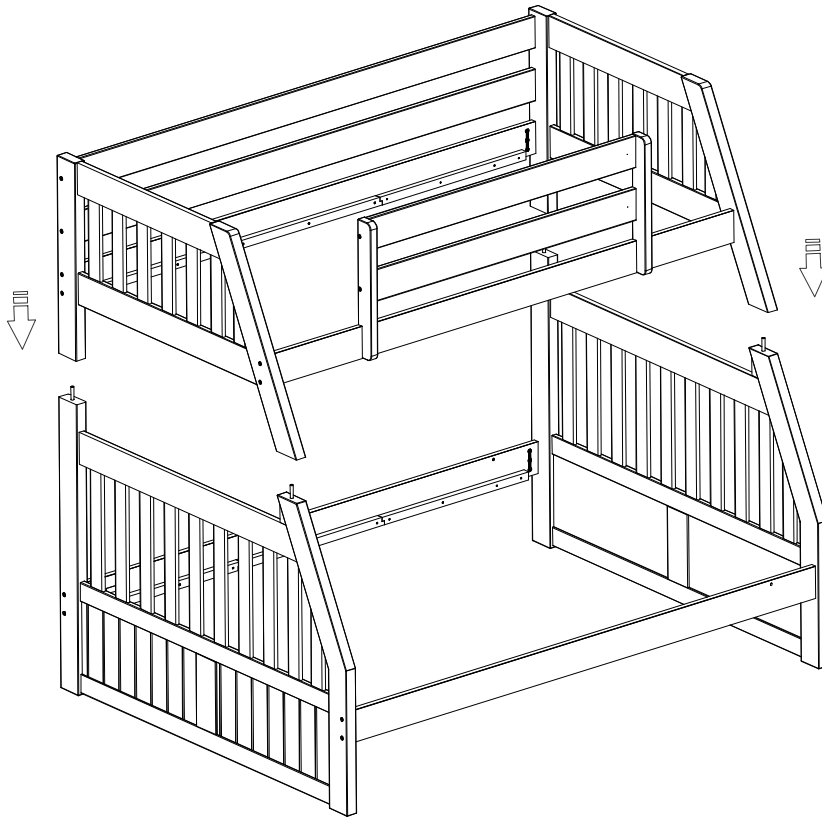


7

Assemble Ladder



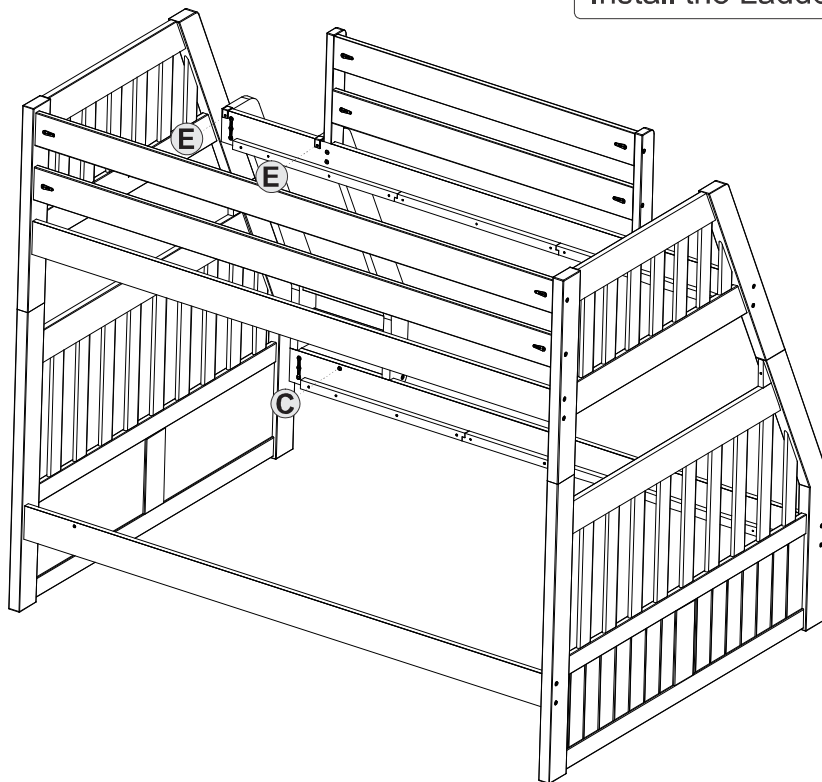
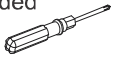
8



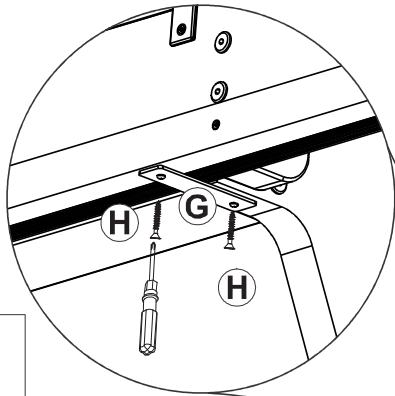
9

Install the Ladder

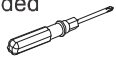
Screw driver not included



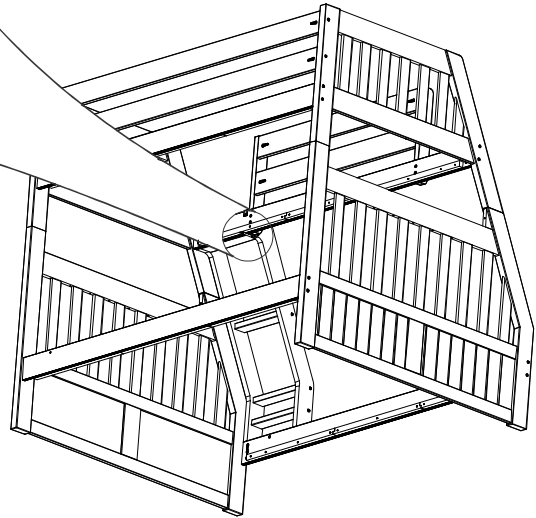
10



Screw driver not included

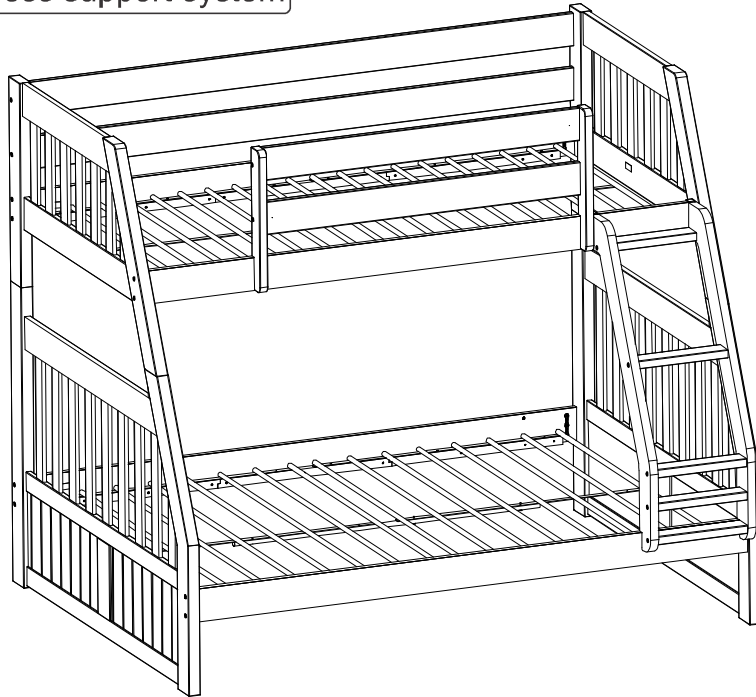


Install mending plate



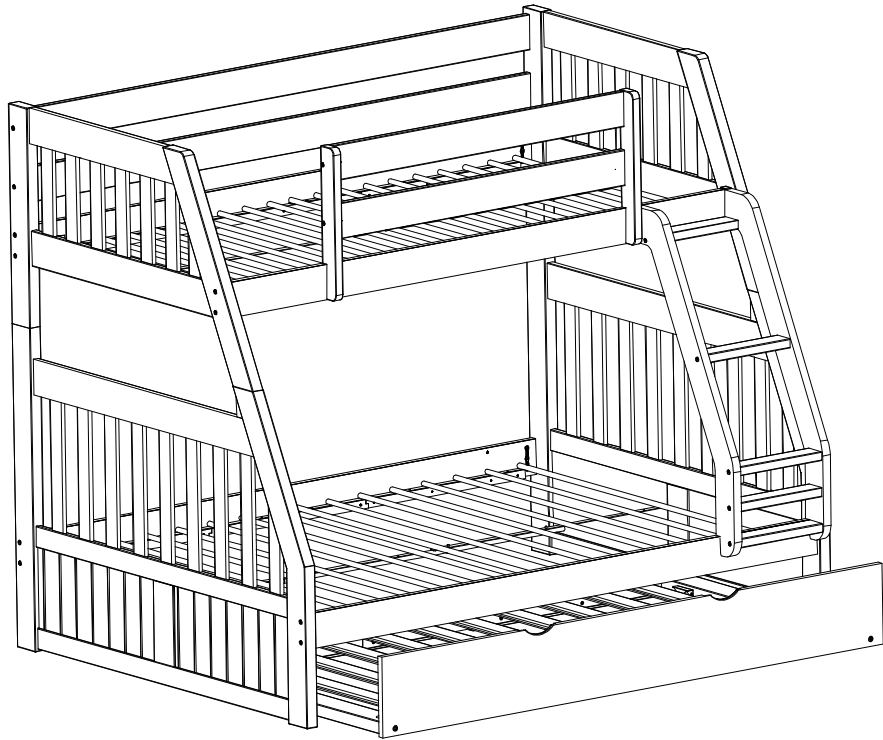
11

Install mattress support system



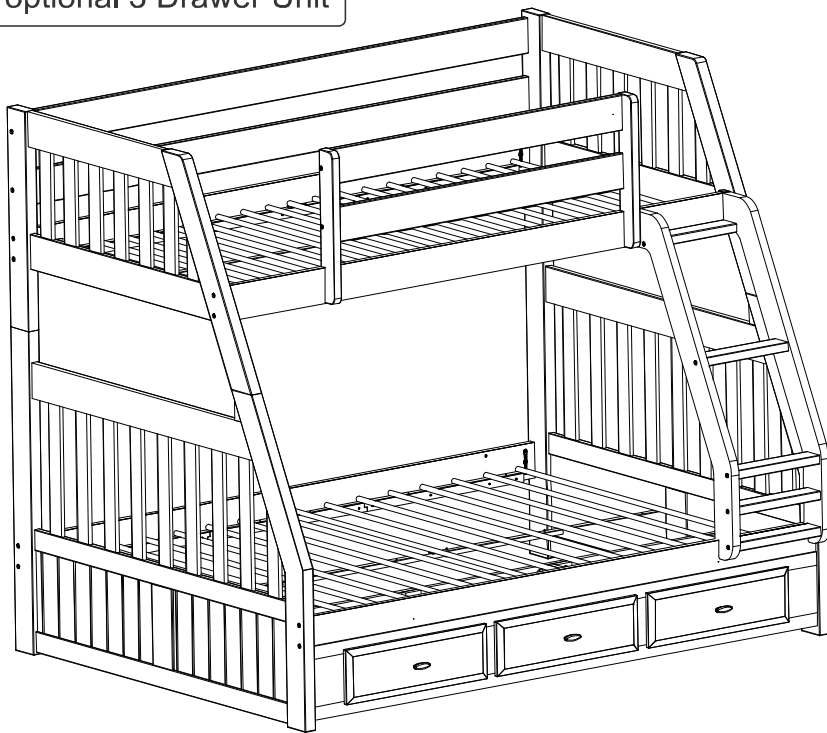
Hardware and instruction in slat kit box





Showing with Optional Trundle Bed (Trundle Face will vary depending on the model)

Showing with optional 3 Drawer Unit



(Drawer Face will vary depending on the model)