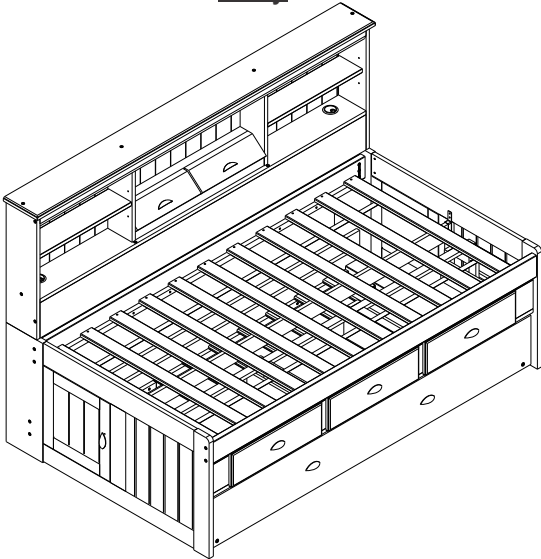




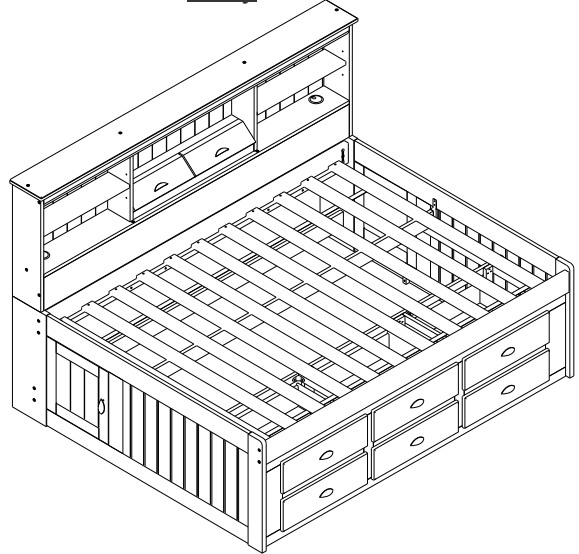
ASSEMBLY INSTRUCTIONS


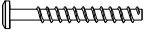




"Driftwood Collection" "Daybed"

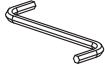
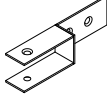




4222R (Twin)
Grey



4223R (Full)
Grey



A	 1/4"x 2 3/4"	08
B	 2 1/2"	04
C	 1/2"	16
D	 1 1/2" x 8mm	06
E	 1 1/2" x 10mm	06
F		02

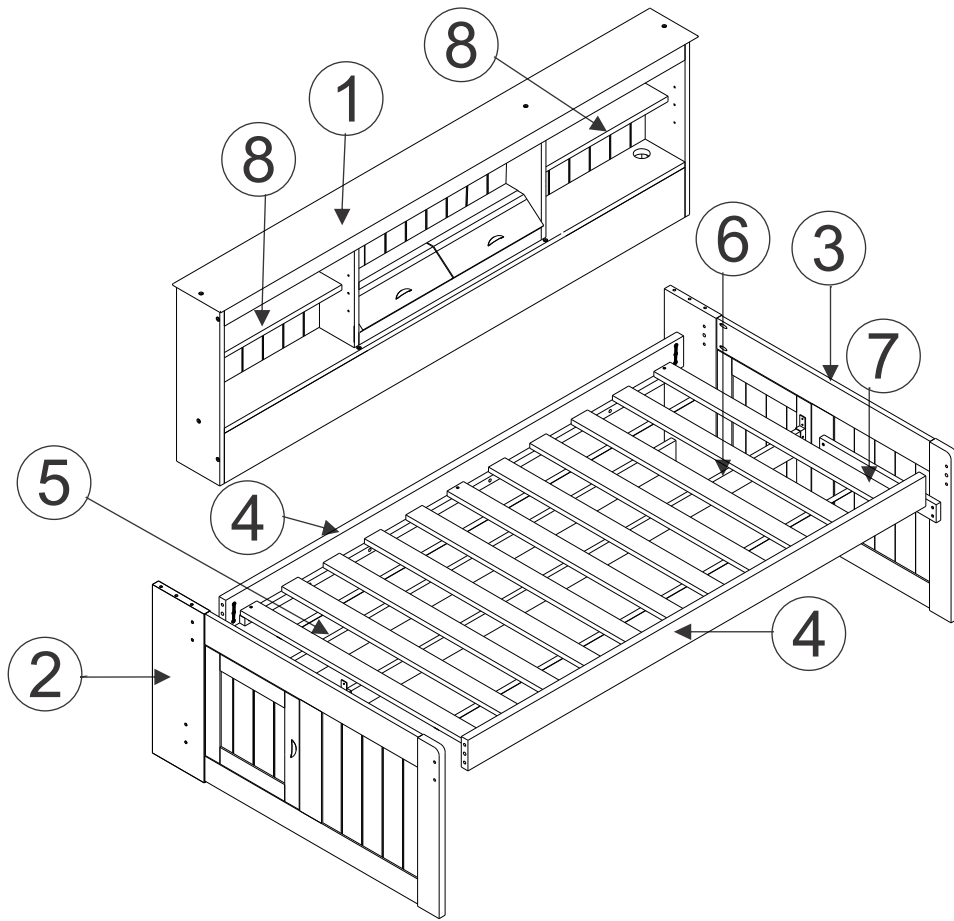
G		01
H		02
I	 1 1/4"	06
J		08
L		02
M	 Φ5/32"x1"	04

WARRANTY

Replacement Parts & Limited Lifetime Warranty

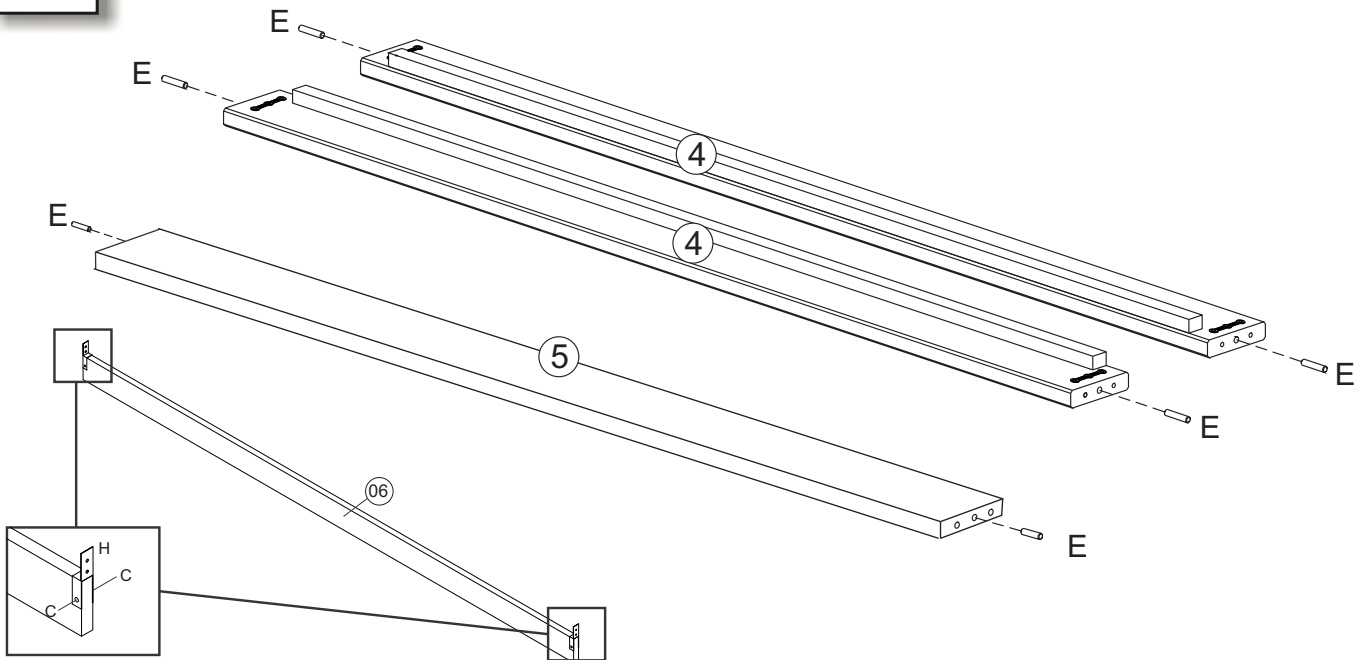
Discovery World Furniture will replace any component part free of charge for 1 full year via UPS freight collect. In addition, Discovery World Furniture will replace any component part for 50% of the then prevailing retail price plus freight for the lifetime of the product. For service, email your request to: info@discoveryworldfurniture.com

Parts List

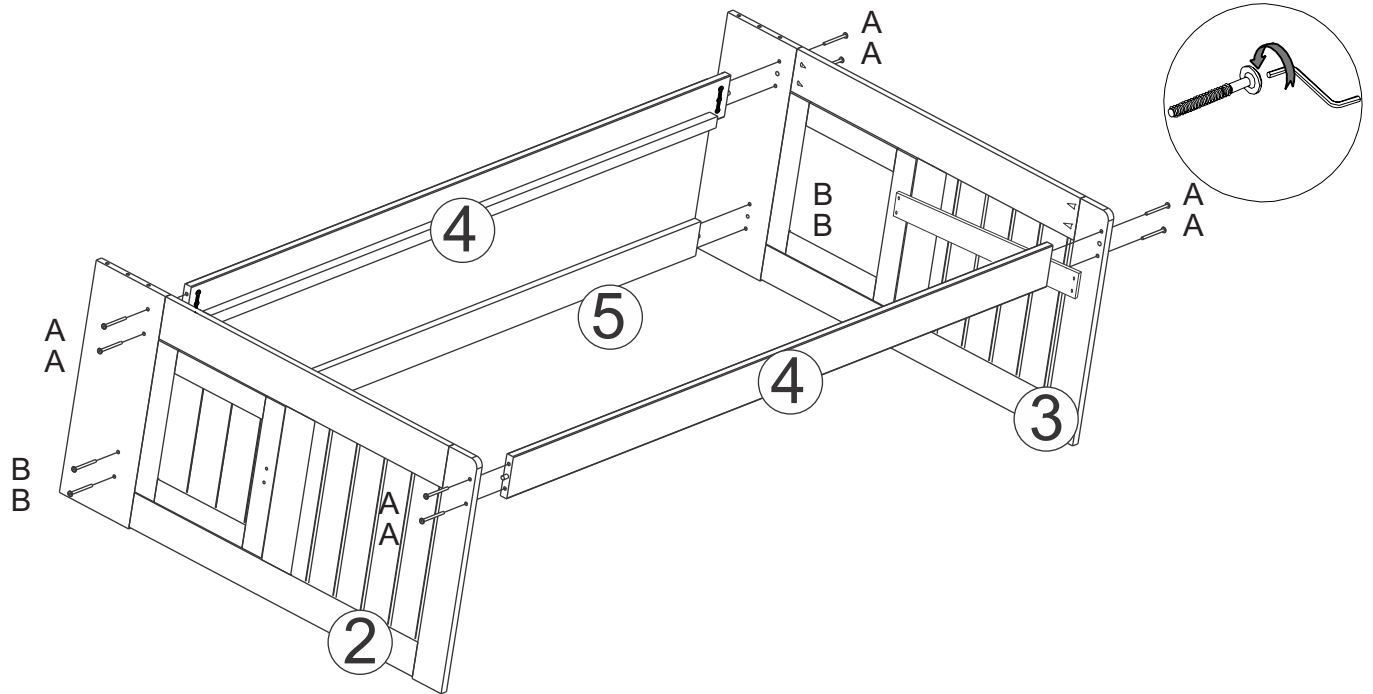


5 Back support

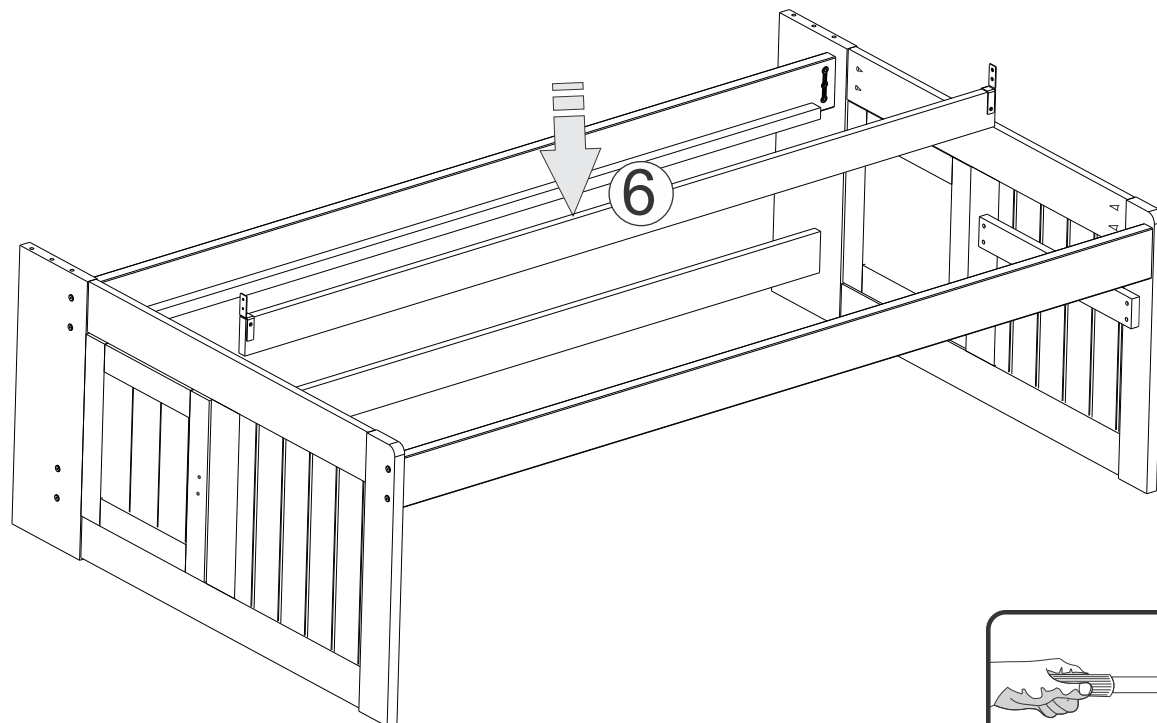
01



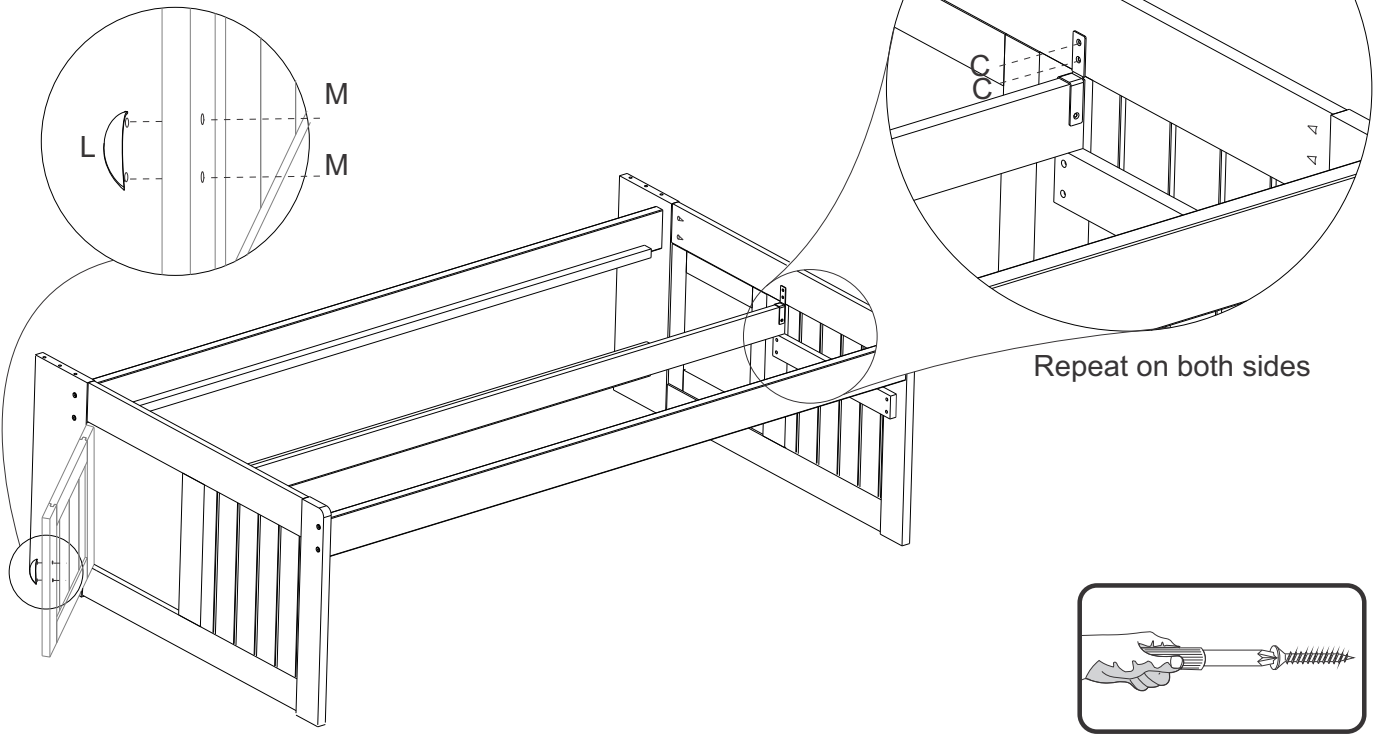
02



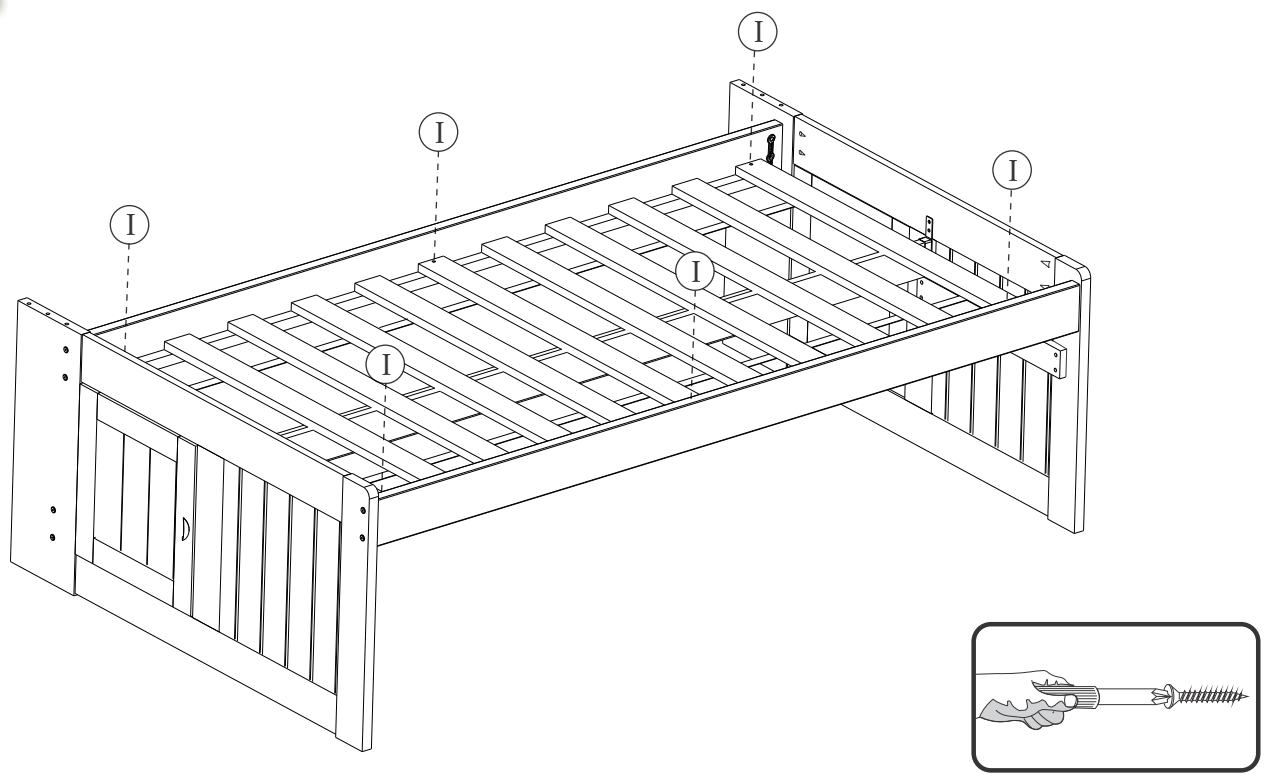
03



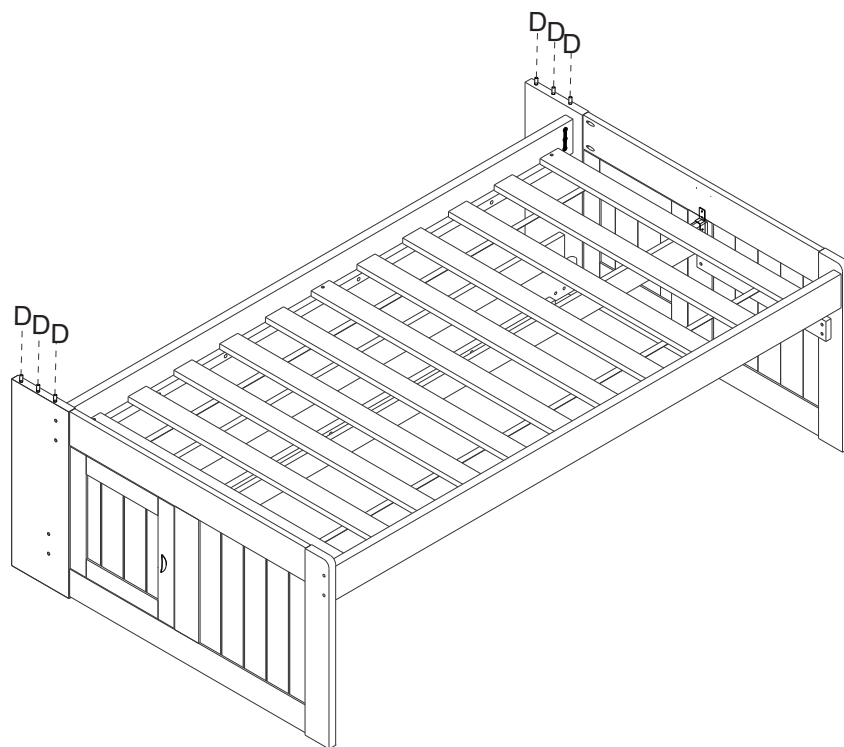
04



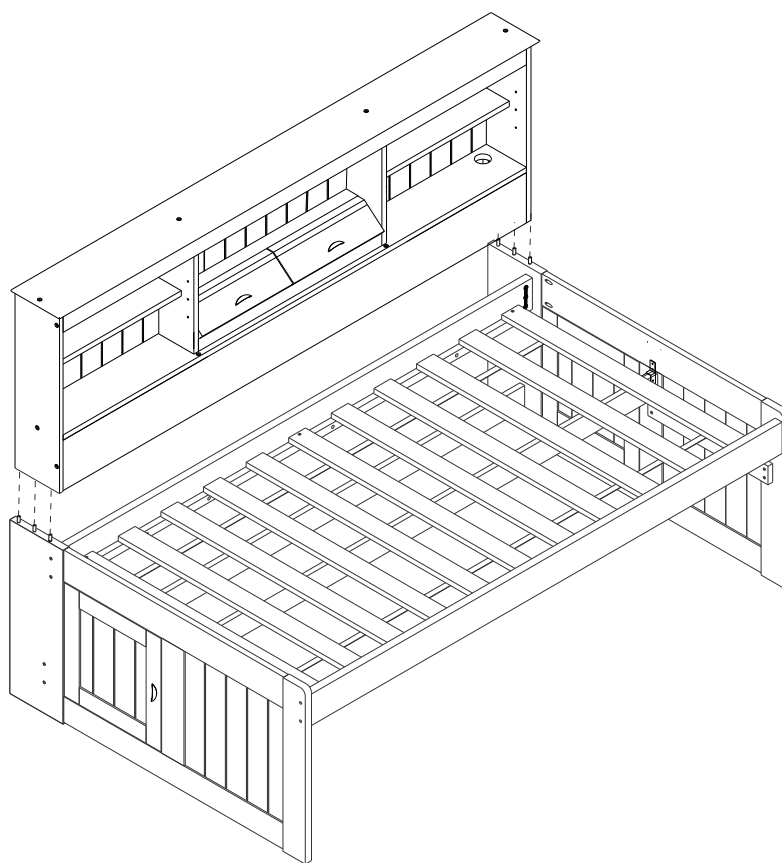
05



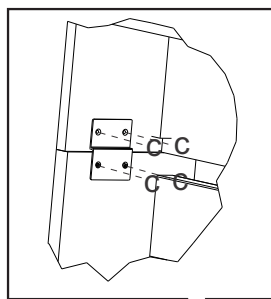
06



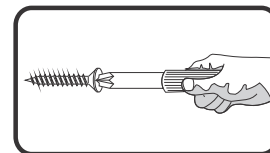
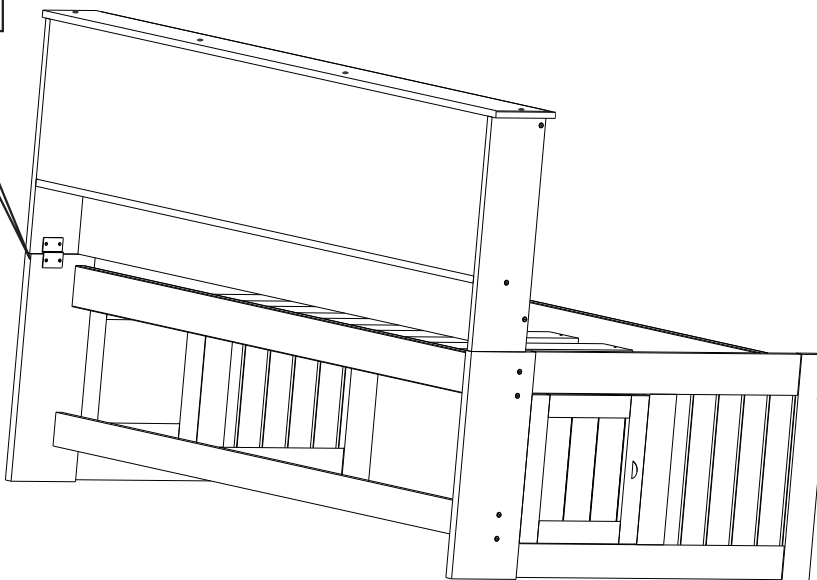
07



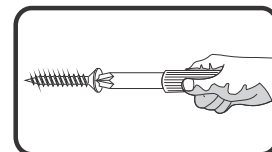
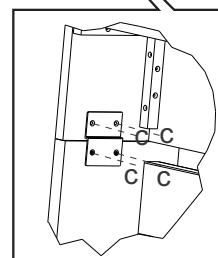
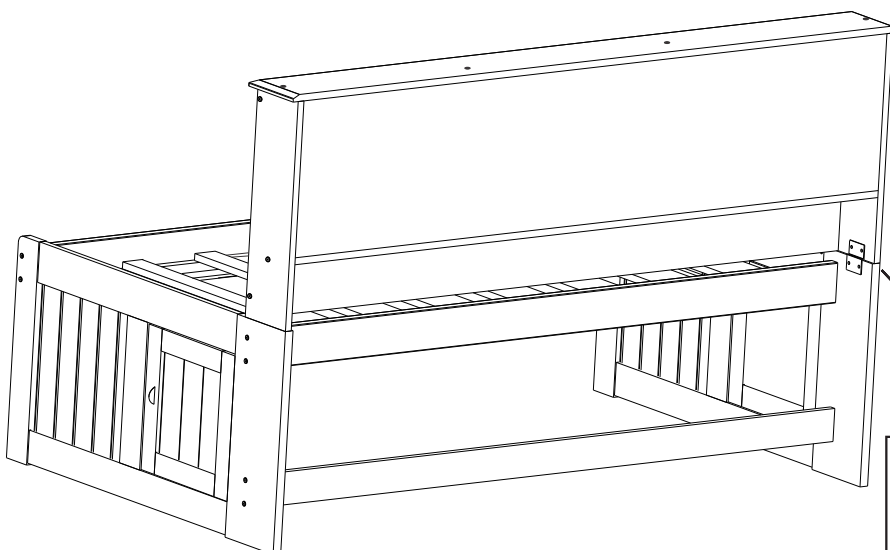
08



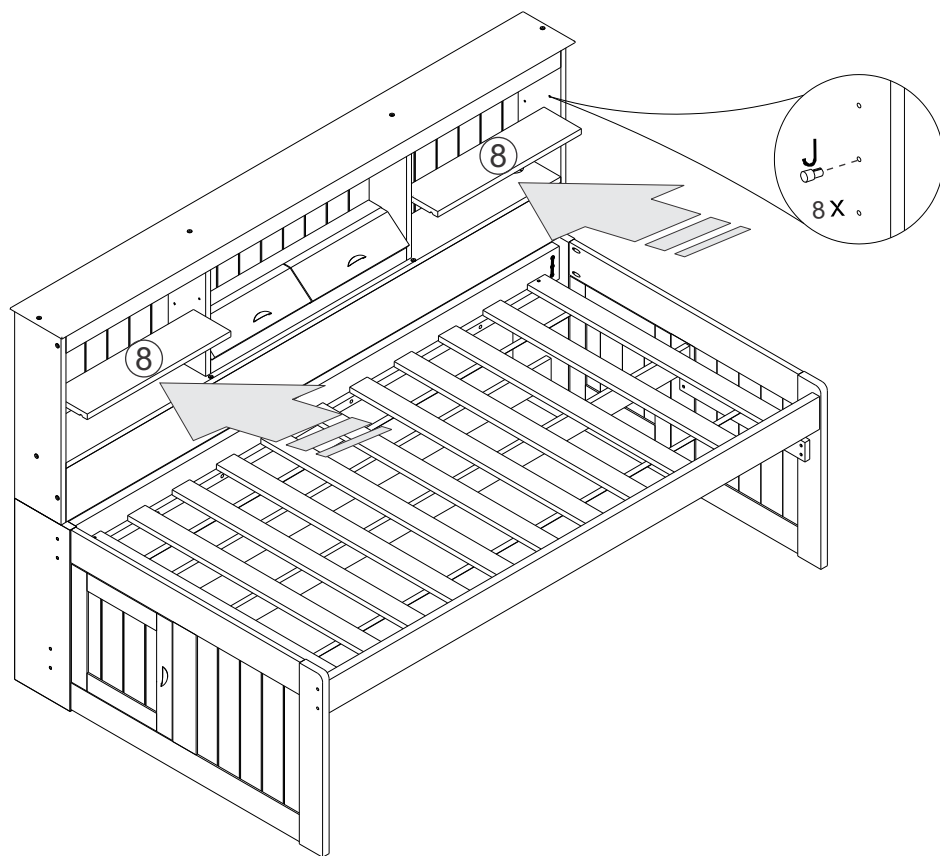
2X



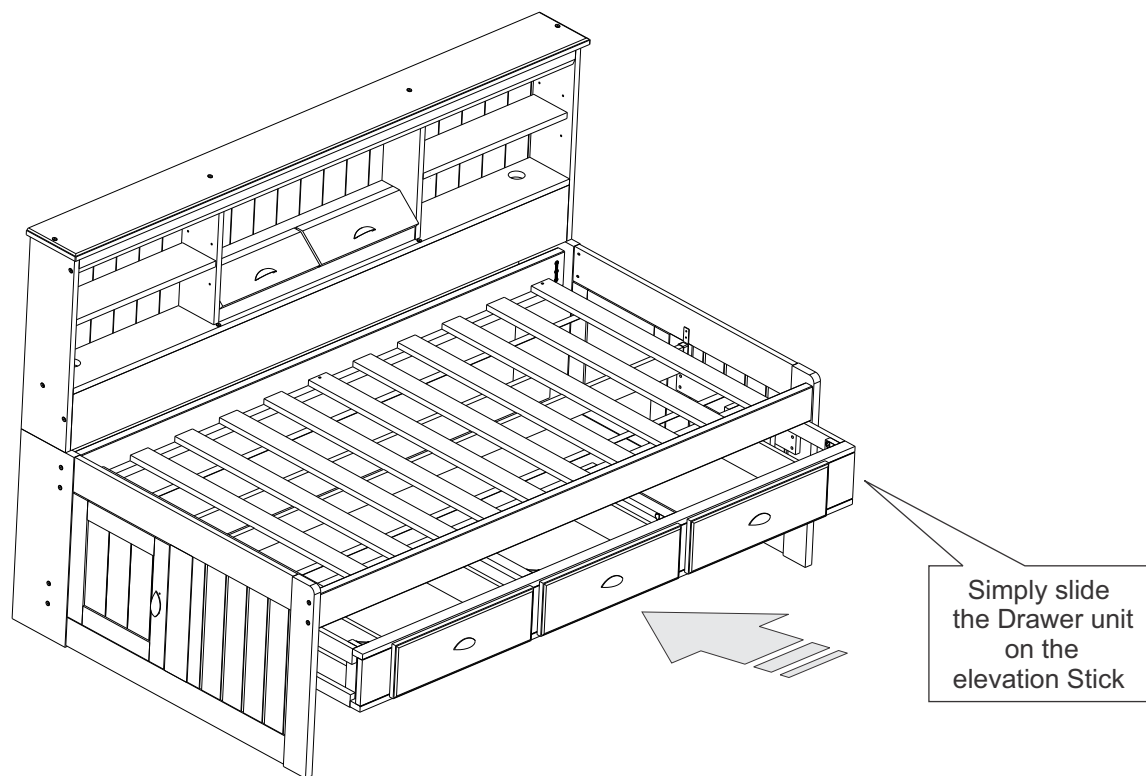
09



10

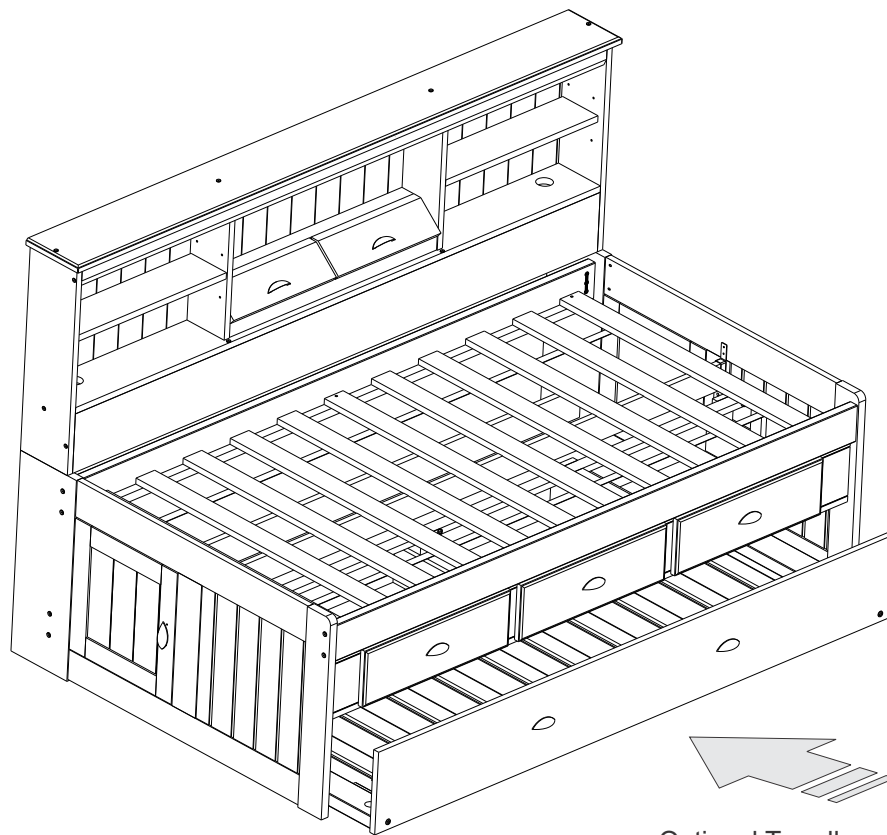


11



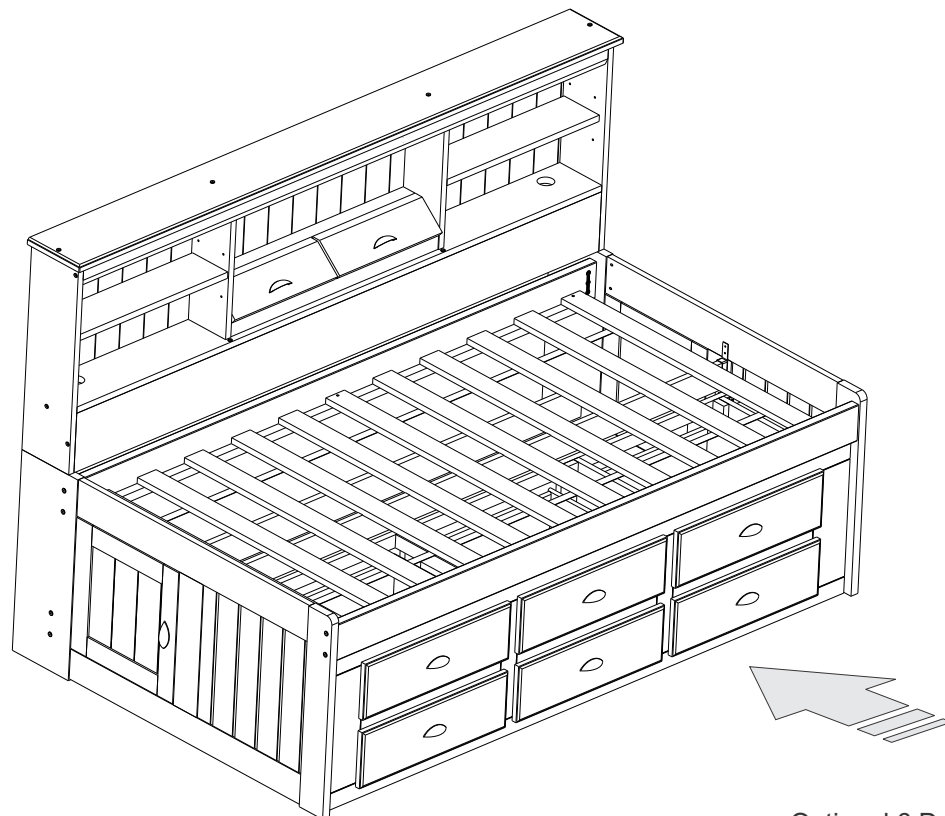
Optional 3Drawer Elevation Unit

12



Optional Trundle

13



Optional 6 Drawer Unit