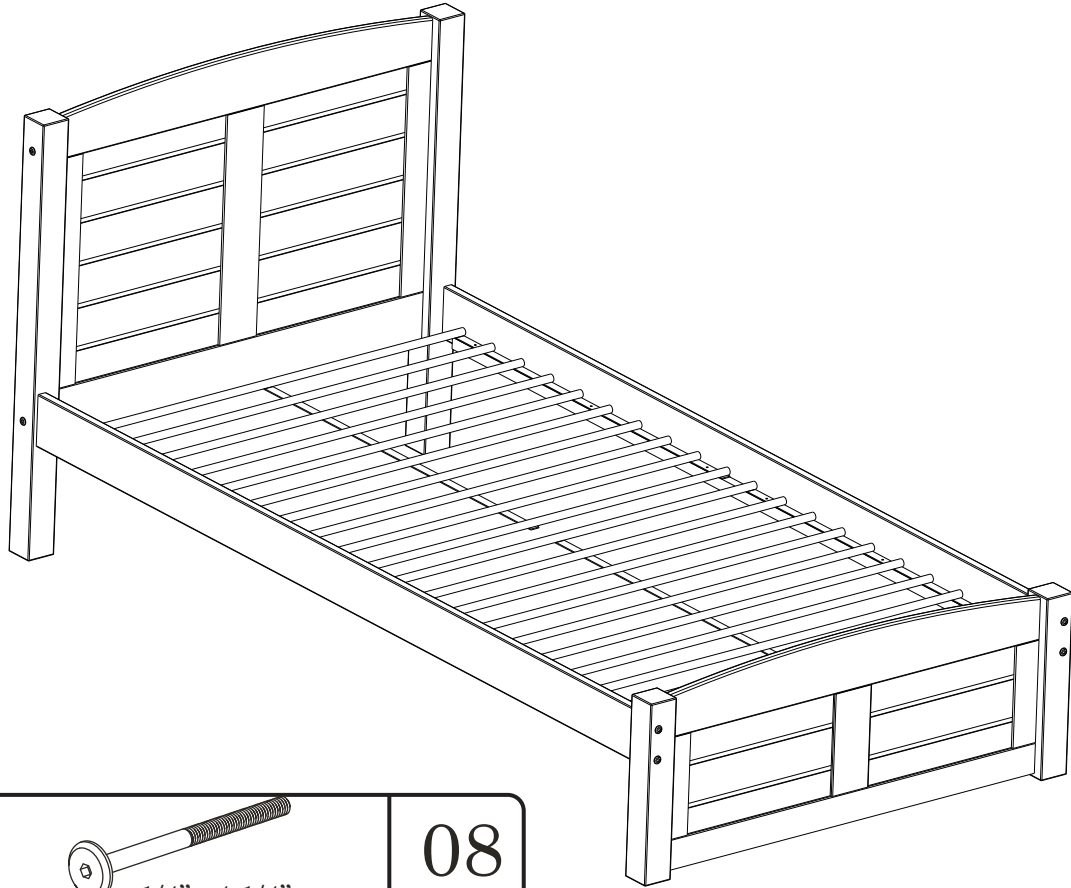
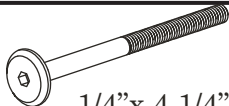
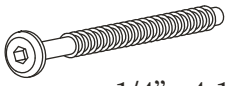
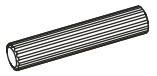
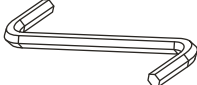




4130R / 4230R / 4830R
 Sand Gray Chestnut
Twin Size Platform Bed

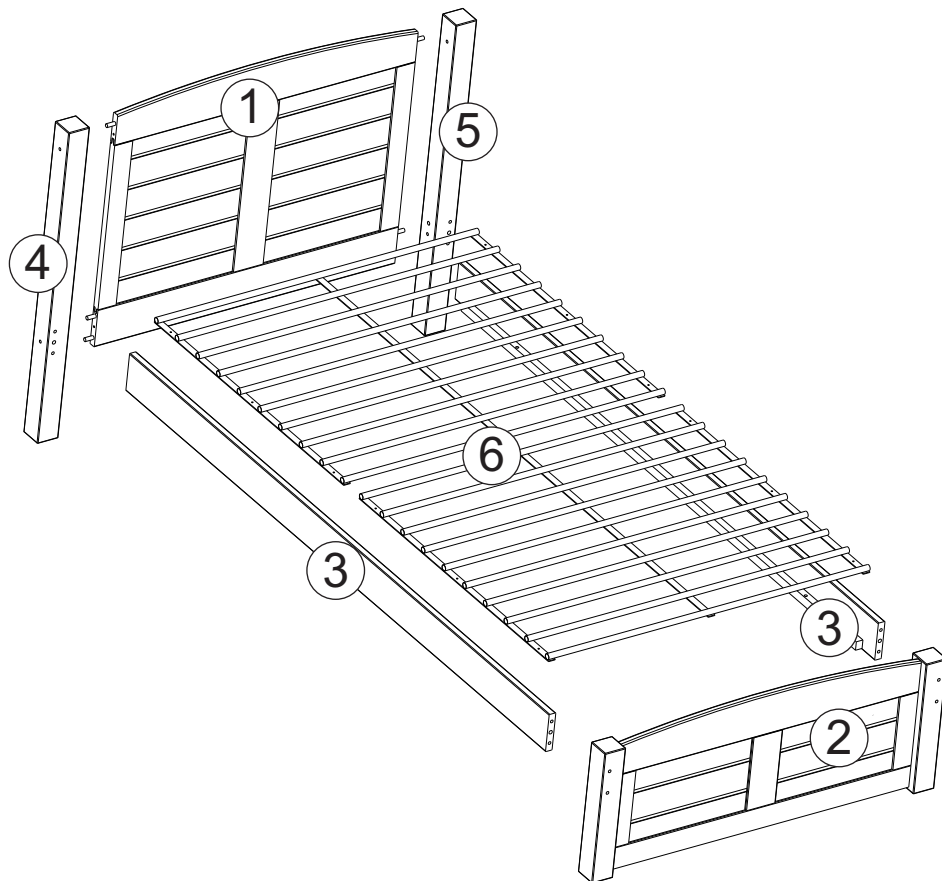


| | | |
|---|--|----|
| A |  1/4" x 4 1/4" | 08 |
| B |  1/4" x 4 1/4" | 04 |
| C |  Wooden Dowel | 10 |
| E |  | 01 |

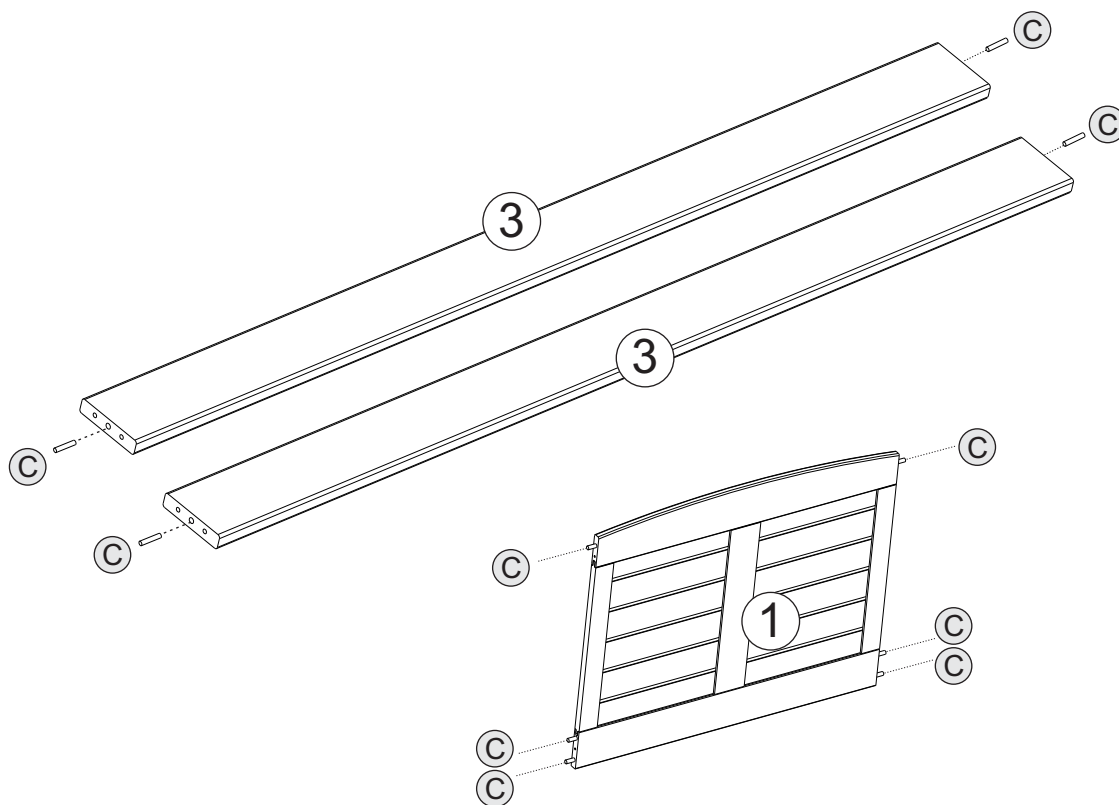
Replacement Parts & Limited Lifetime Warranty

Discovery World Furniture will replace any component part free of charge for 1 full year via UPS freight collect. In addition, Discovery World Furniture will replace any component part for 50% of the then prevailing retail price plus freight for the lifetime of the product, unless the product has been discontinued from our line. For service, mail your request to: Discovery World Furniture 915 Cornwall Rd, Sanford, FL 32773.
 Website www.discoveryworldfurniture.com

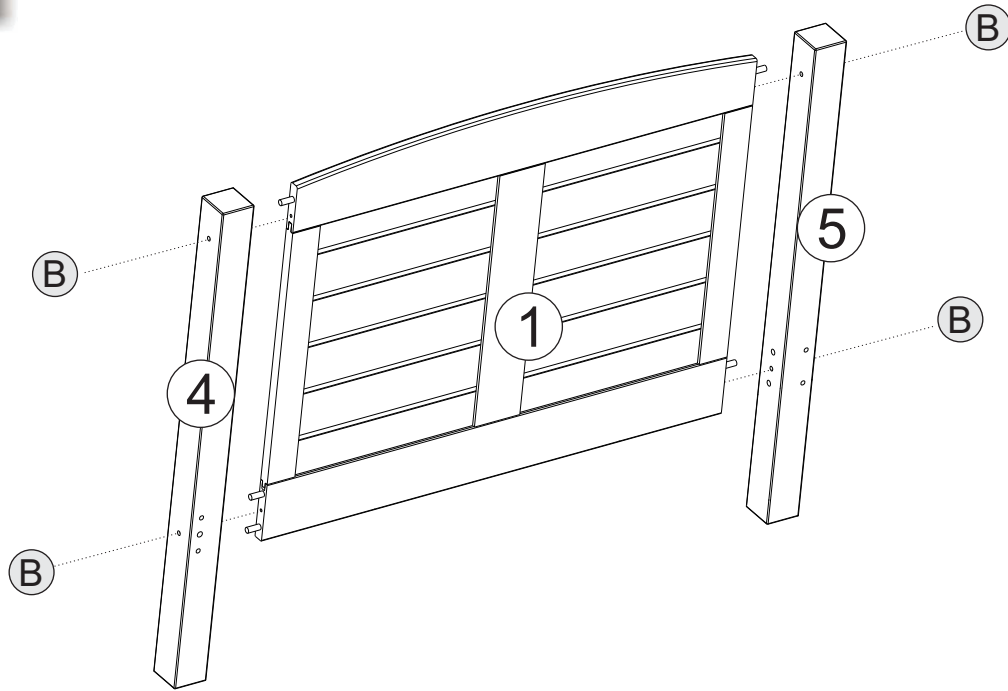
Parts number



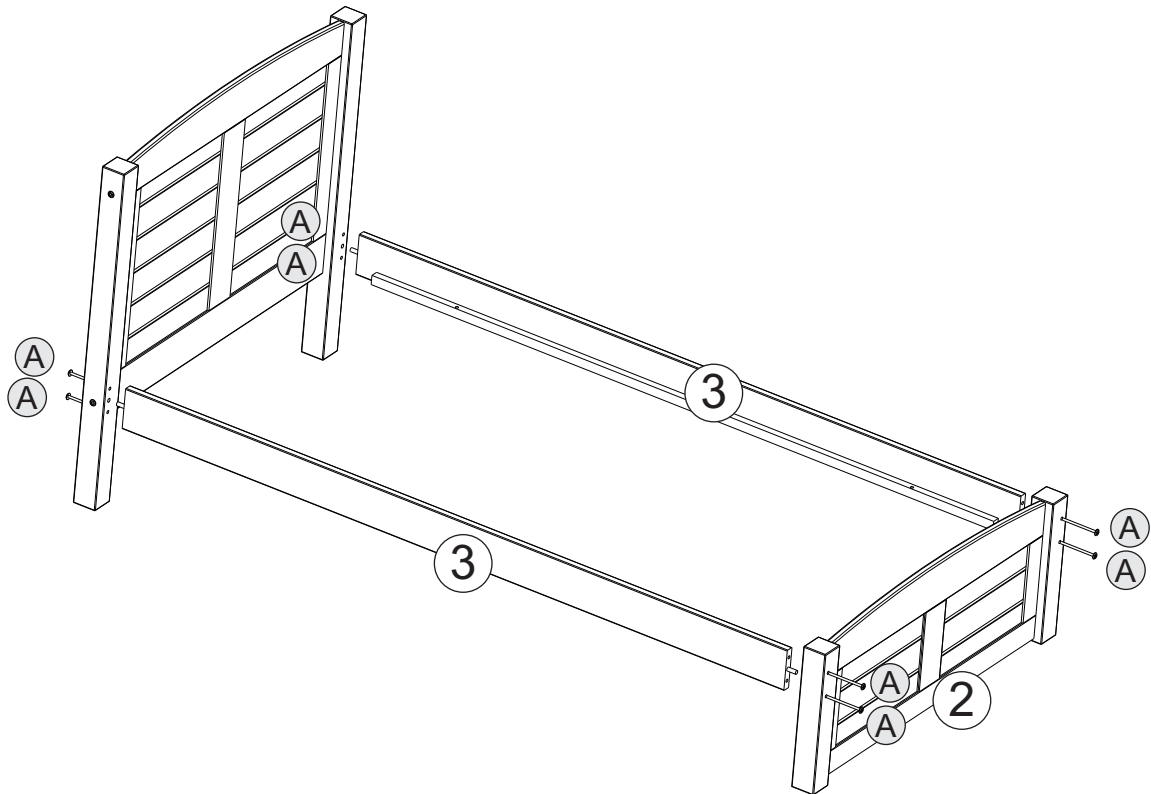
1



2



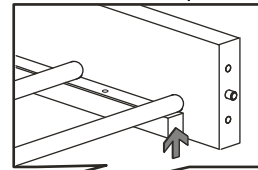
3



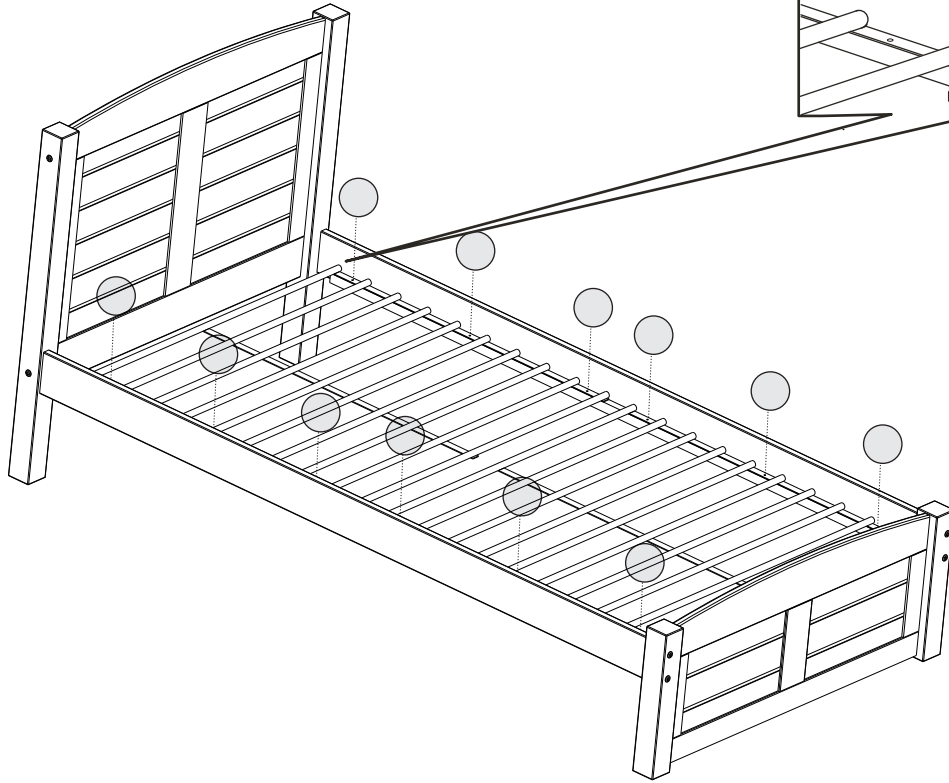
4

Install slat

screws included in slat box



Always start here



5

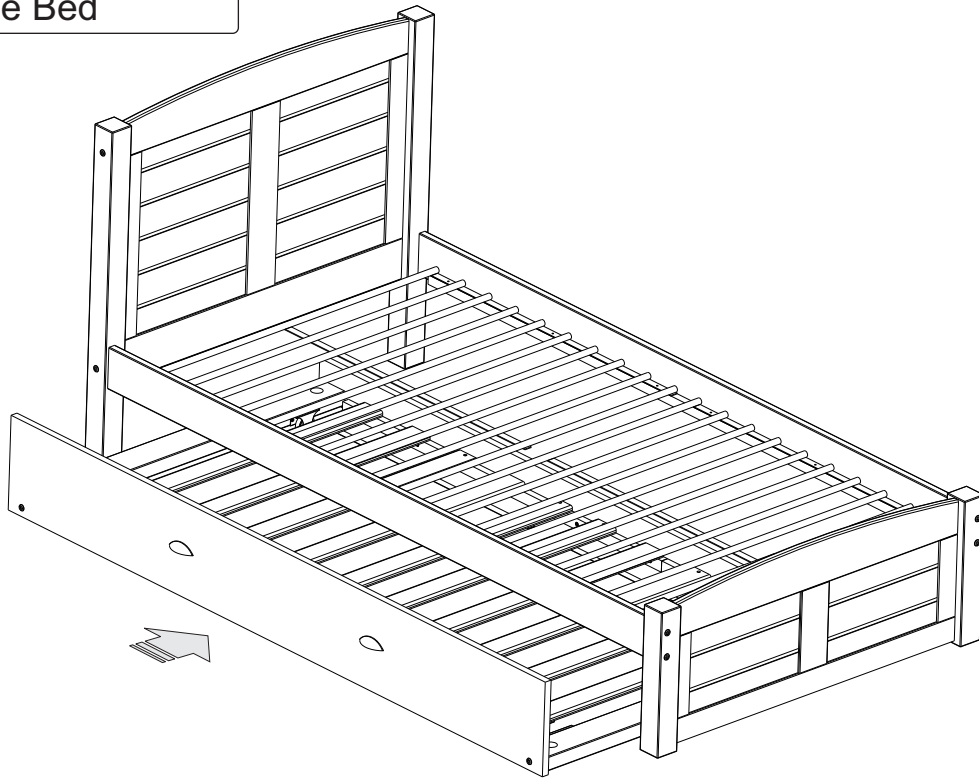
Accessories

Shown with optional
3 drawers unit



6

Shown with optional
Trundle Bed



7

Shown with optional
KD Drawers

