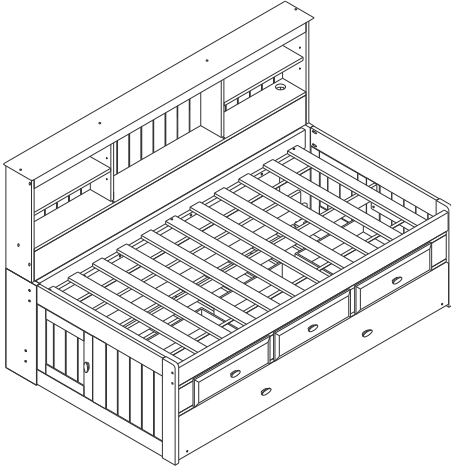
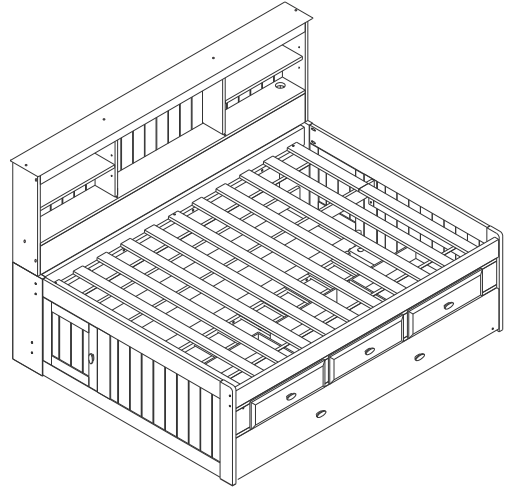





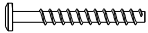




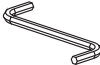
0222-0223  
2922R-2923R



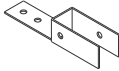




Twin



Full

A		08
B		04
C		16
D		06
E		06
F		02
G		01

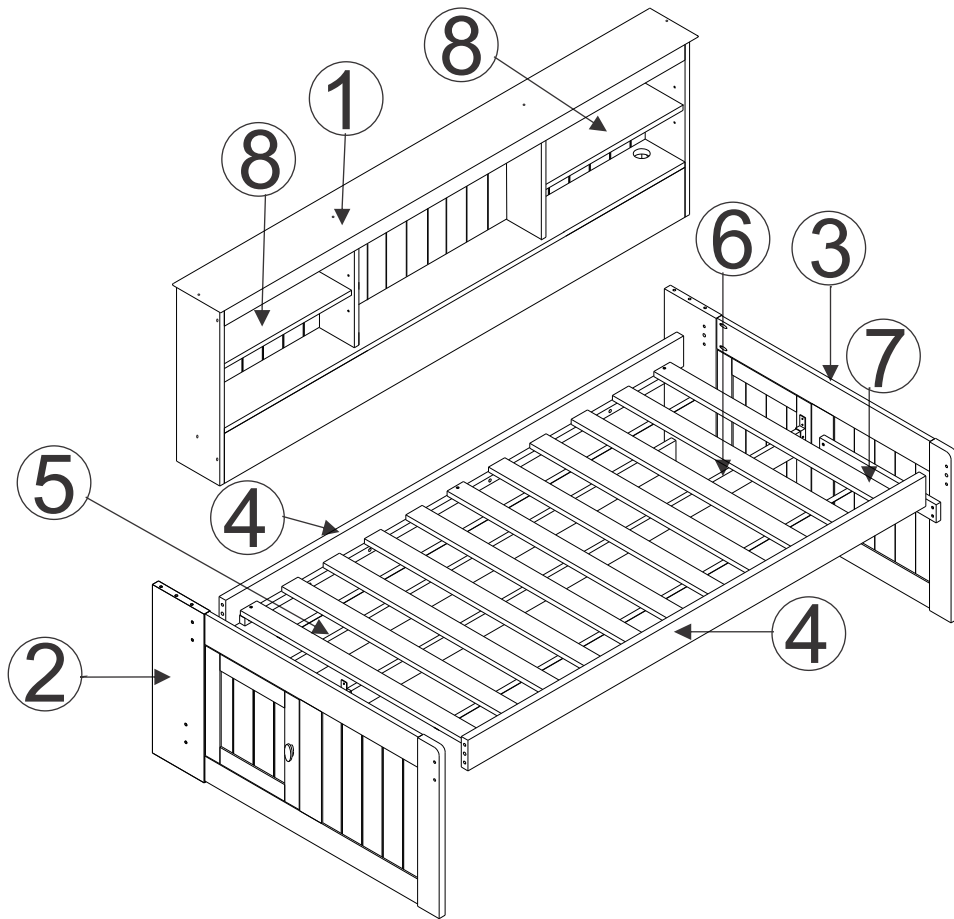
Tools required  
Allen wrench (Included)  
Screw driver (not included)

H		02
I		06
J		08
K		04
L		02

**Replacement Parts & Limited Lifetime Warranty**

Discovery World Furniture will replace any component part free of charge for 1 full year via UPS freight collect. In addition, Discovery World Furniture will replace any component part for 50% of the then prevailing retail price plus freight for the lifetime of the product, unless the product has been discontinued from our line. For service, mail your request to: Discovery World Furniture 2963 Stonewall Place, Sanford, FL 32773.  
Website [www.discoveryworldfurniture.com](http://www.discoveryworldfurniture.com)

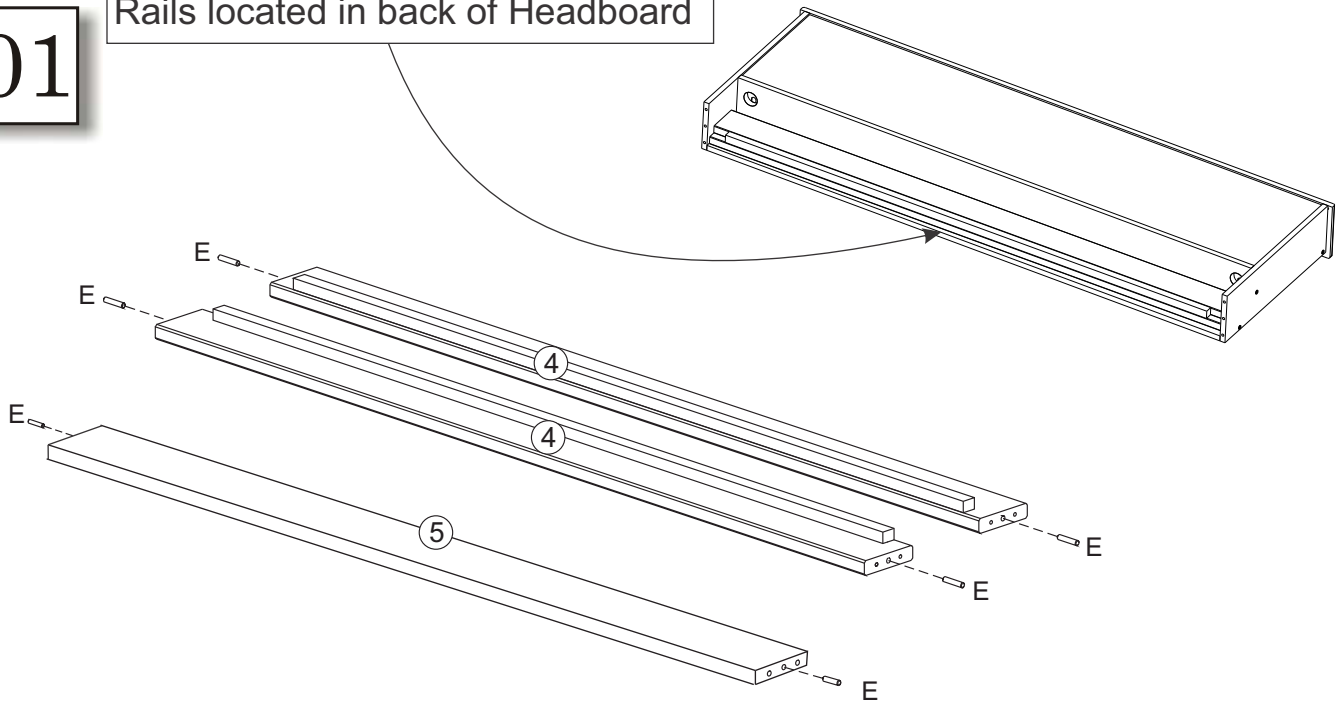
# Parts List



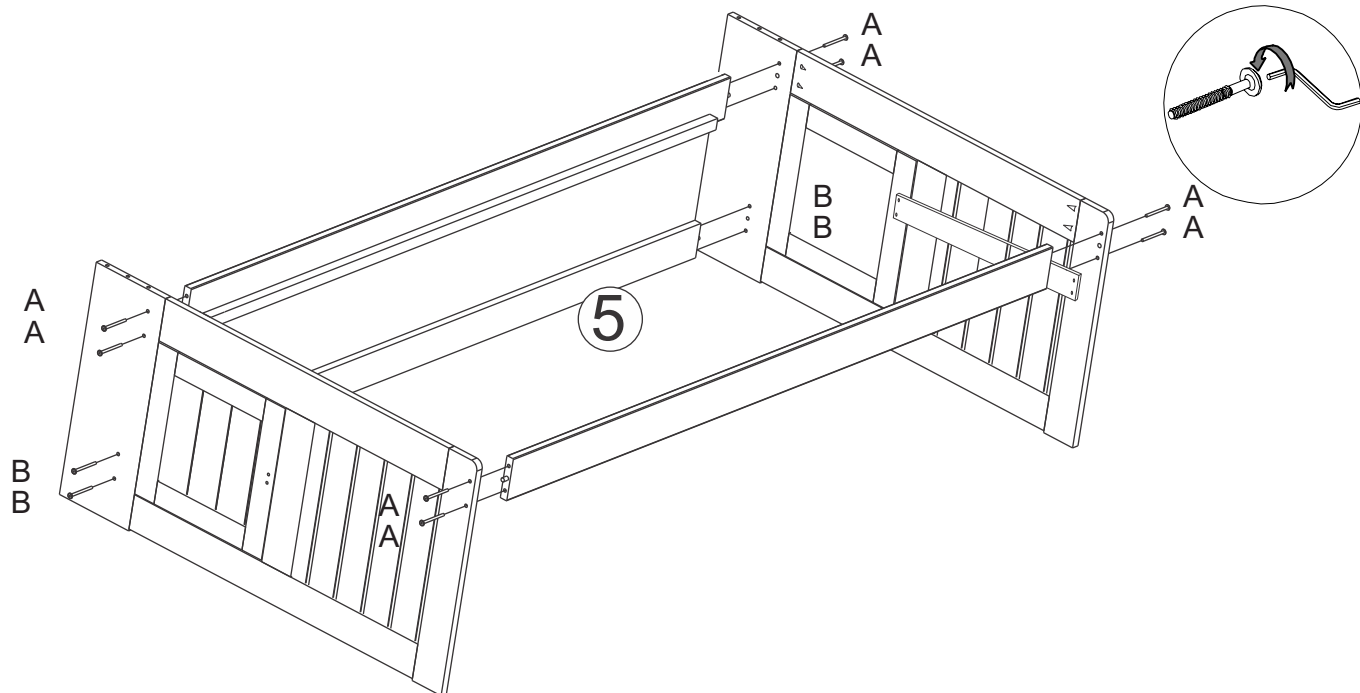
5 Back support

01

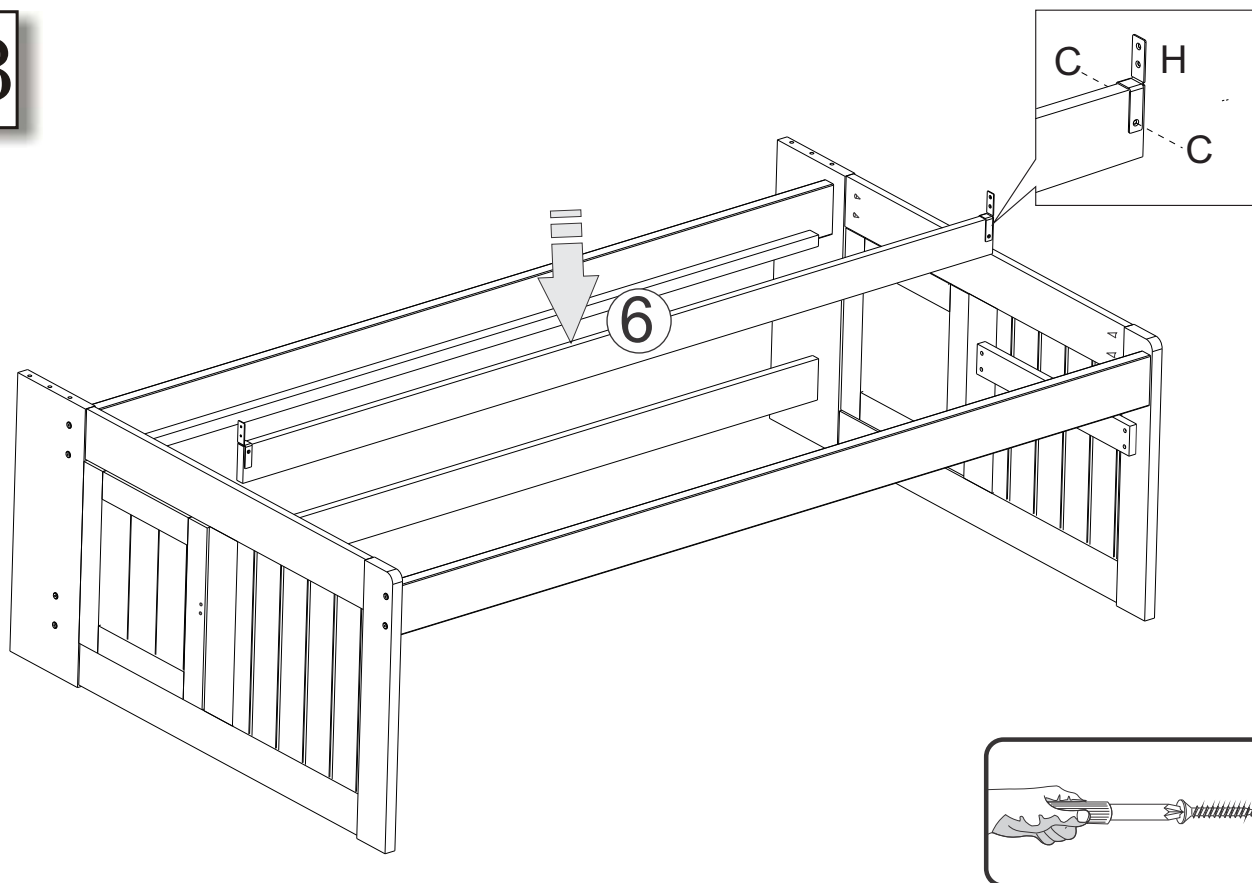
Rails located in back of Headboard



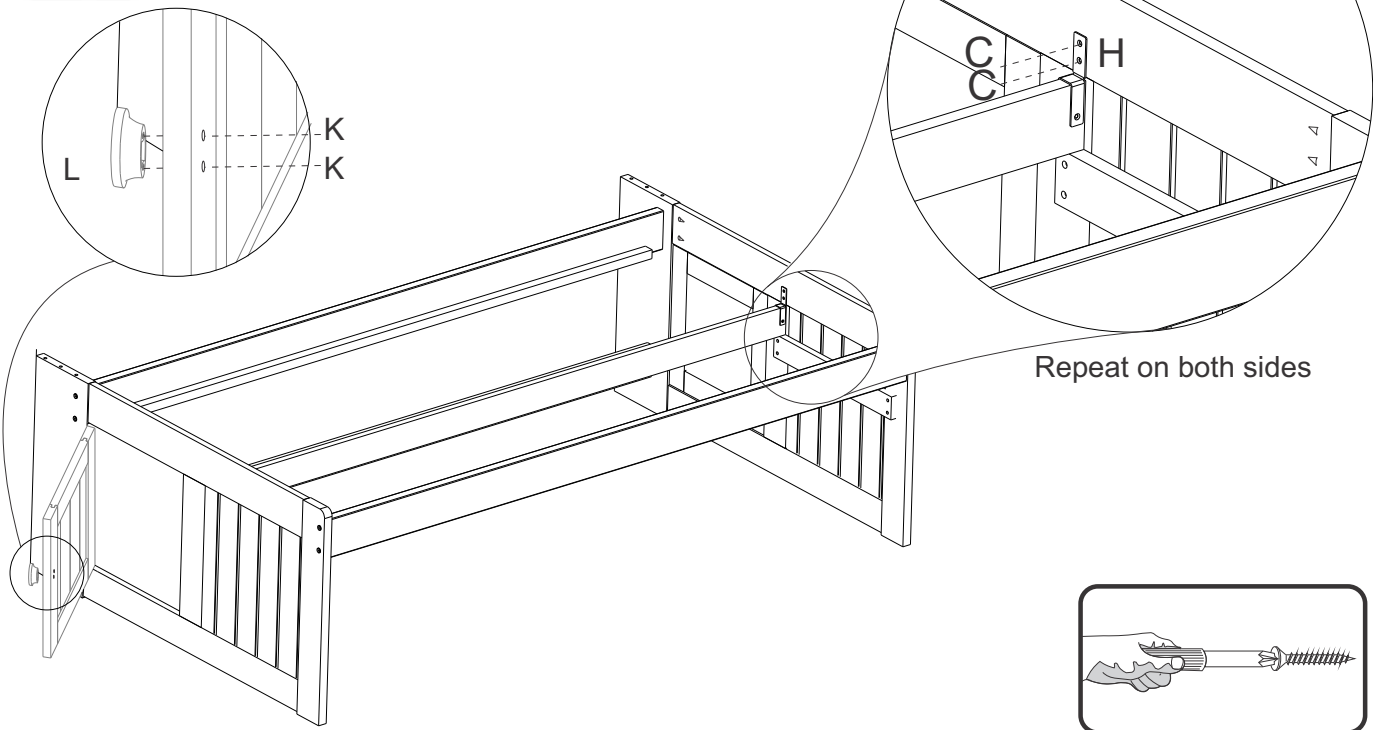
02



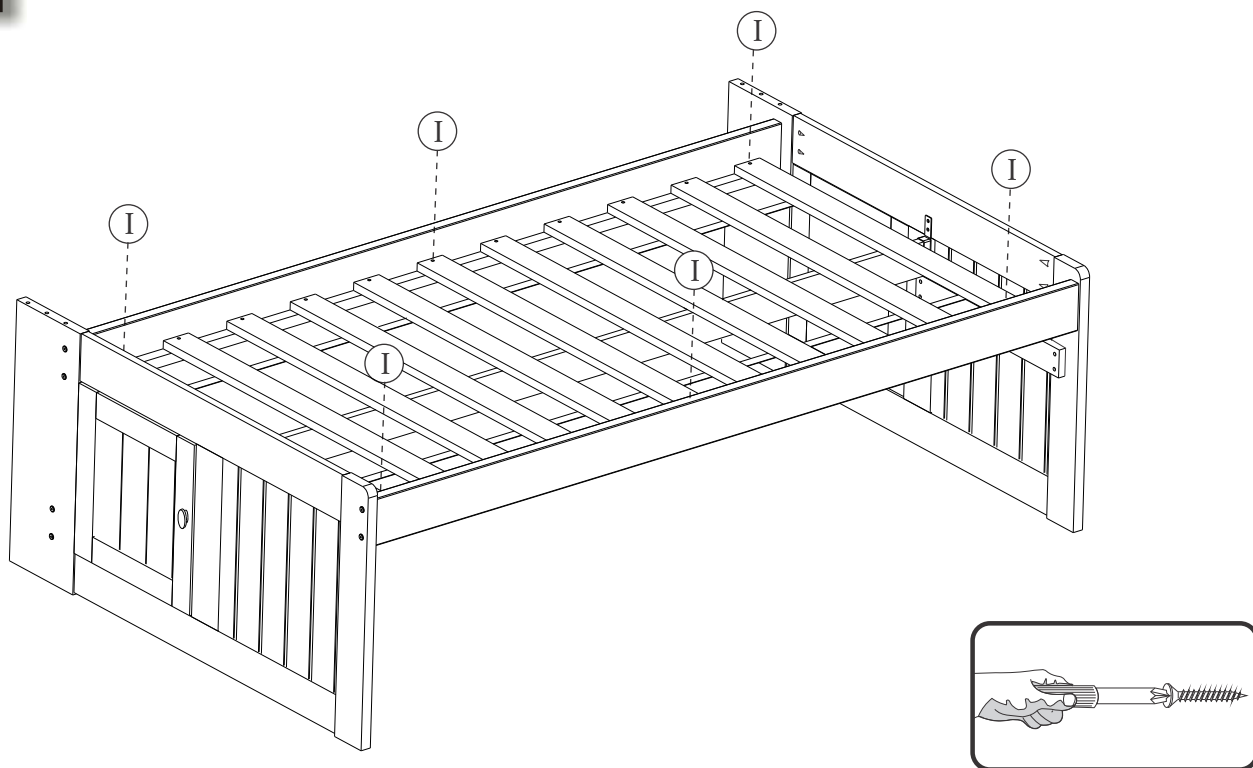
03



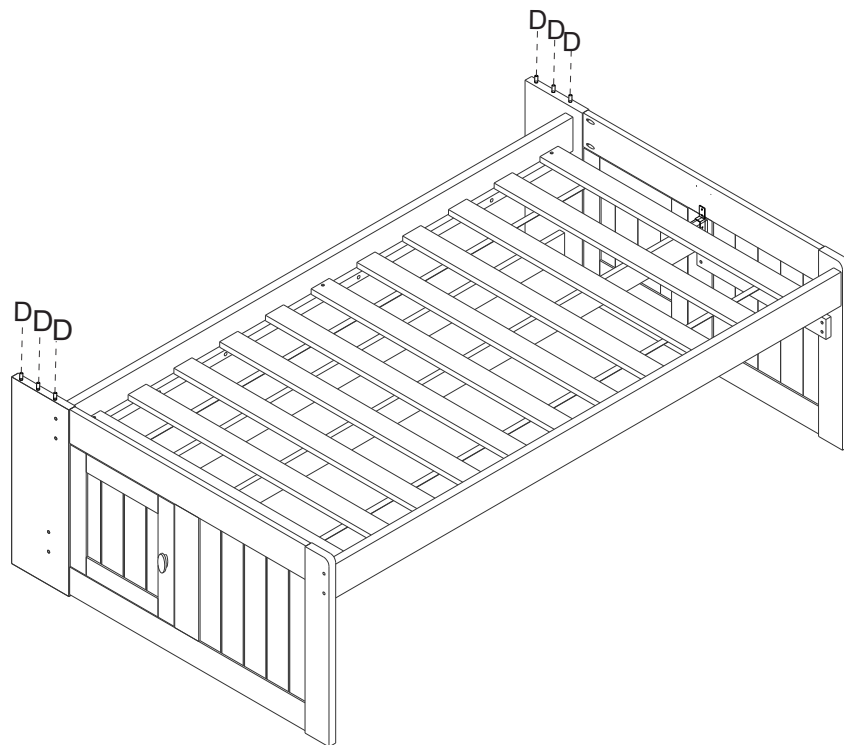
04



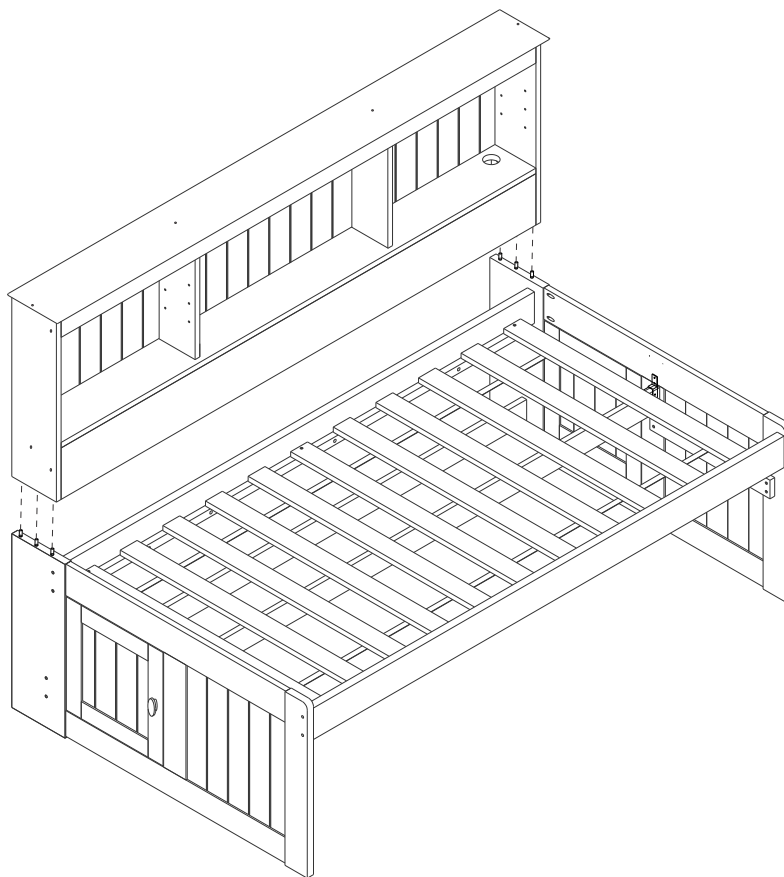
05



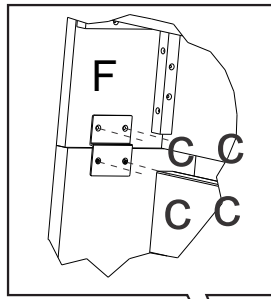
06



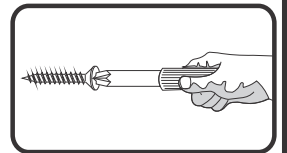
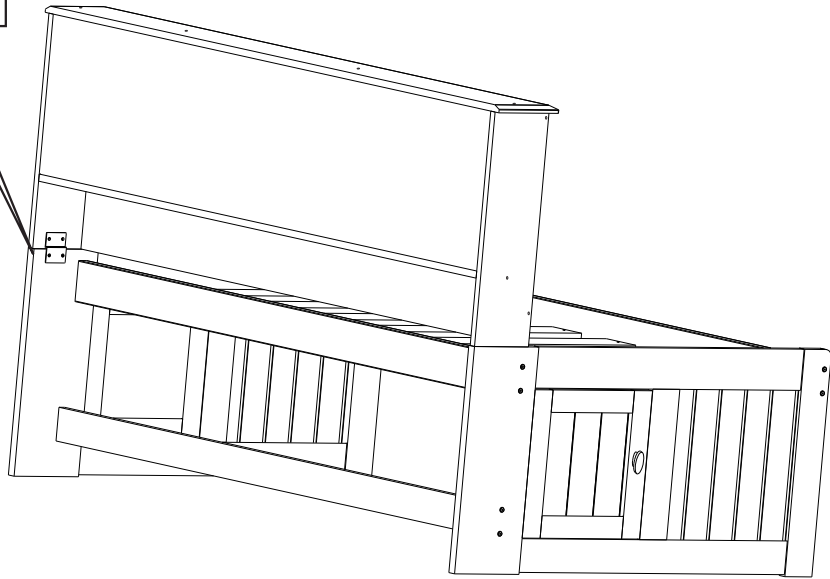
07



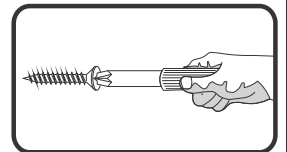
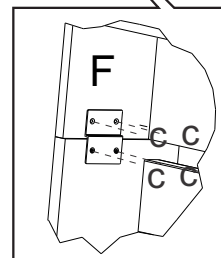
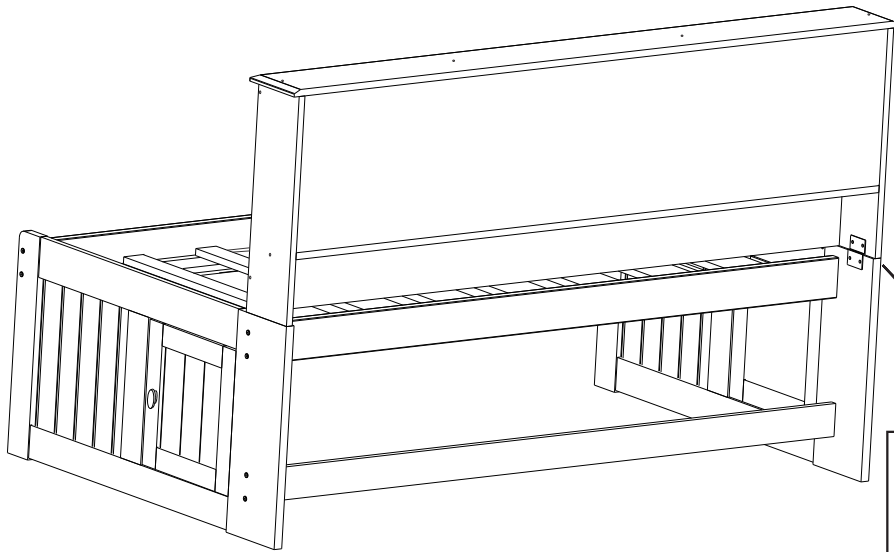
08



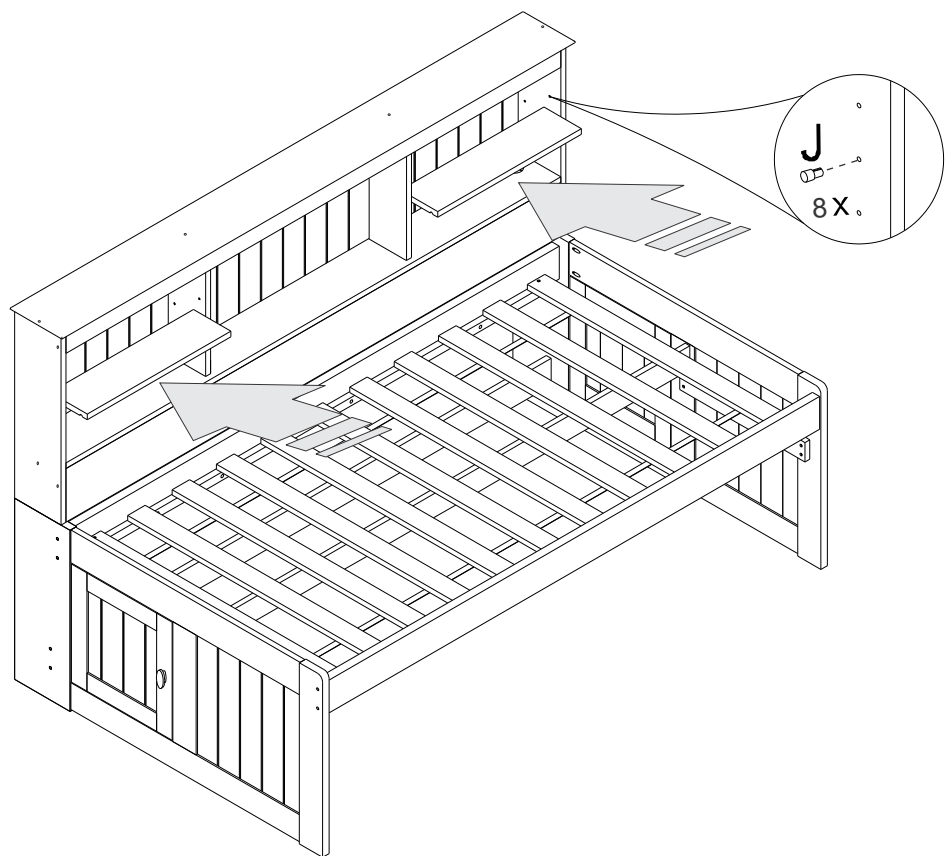
2X



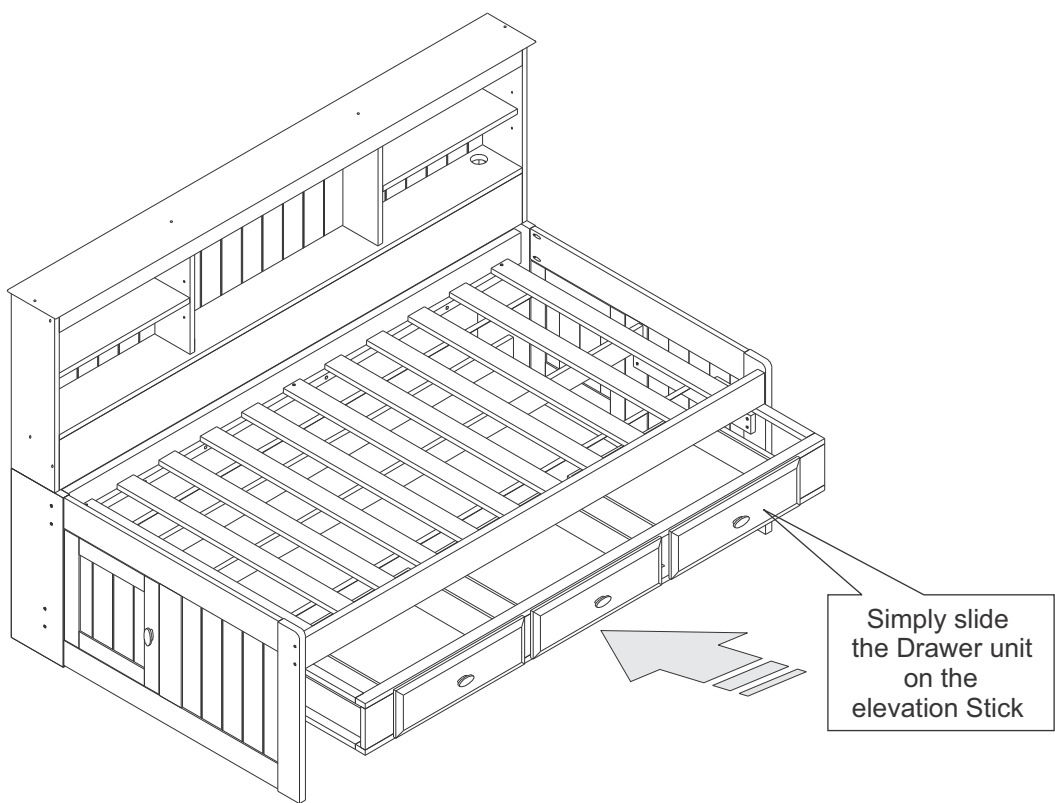
09



10



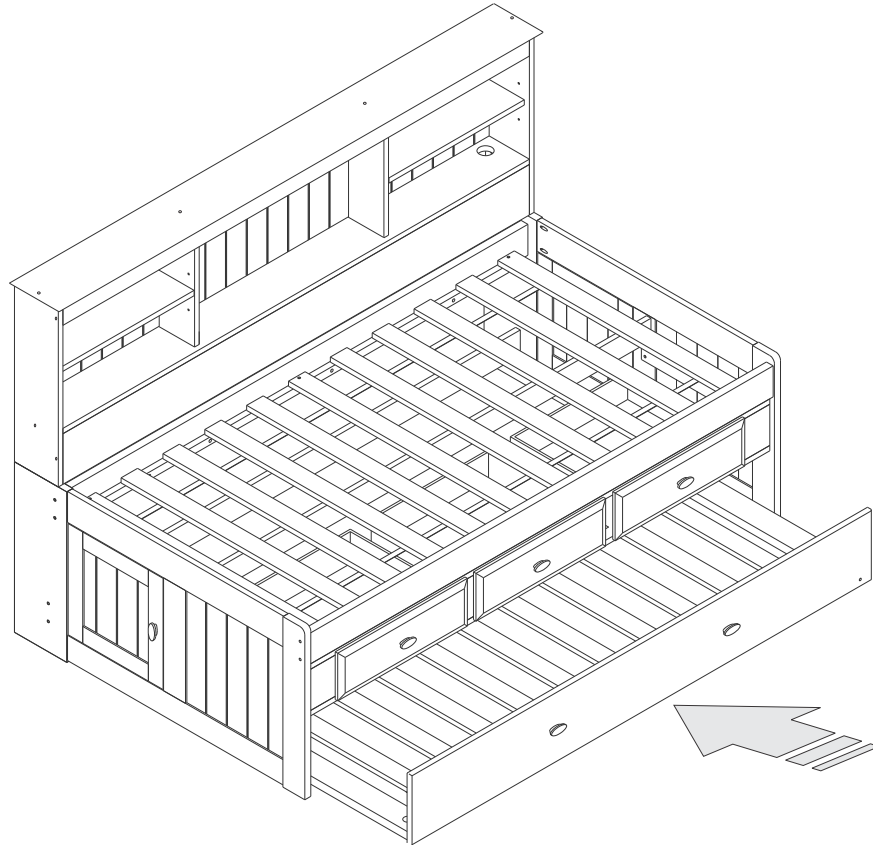
11



Optional 3Drawer Elevation Unit

0222 shown with optional Elevation and Trundle

12



2922R shown with optional 6 Drawer Unit

13

