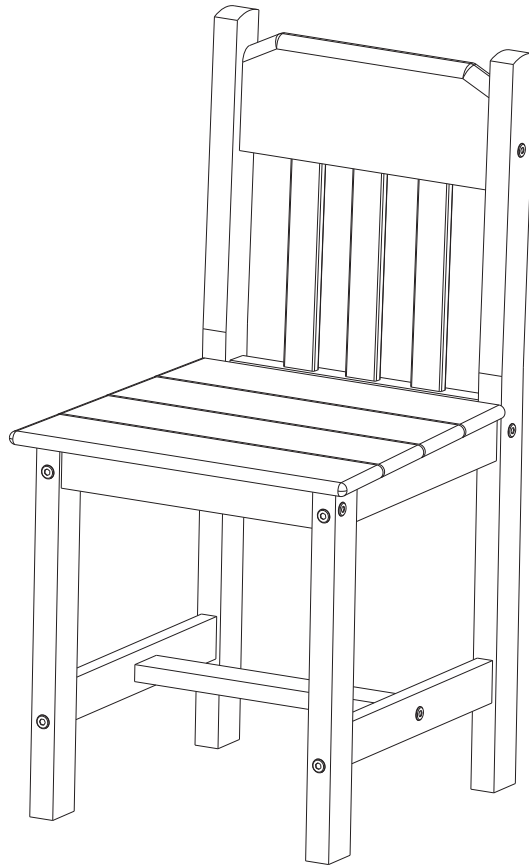
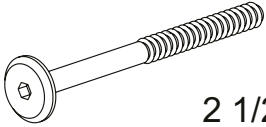
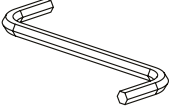





2975 ASSEMBLY INSTRUCTIONS

(2016)

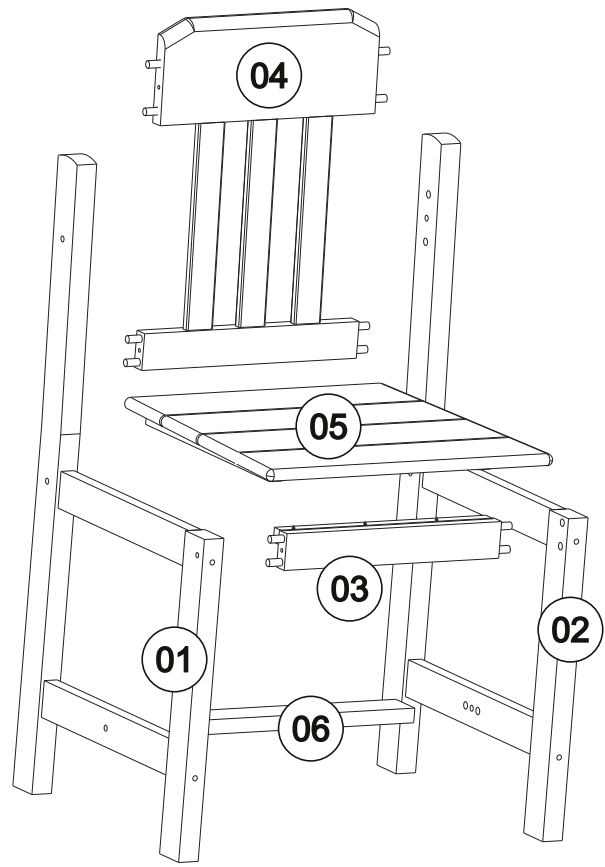


A	 2 1/2"	08
B		01
C	 1 3/16"	09

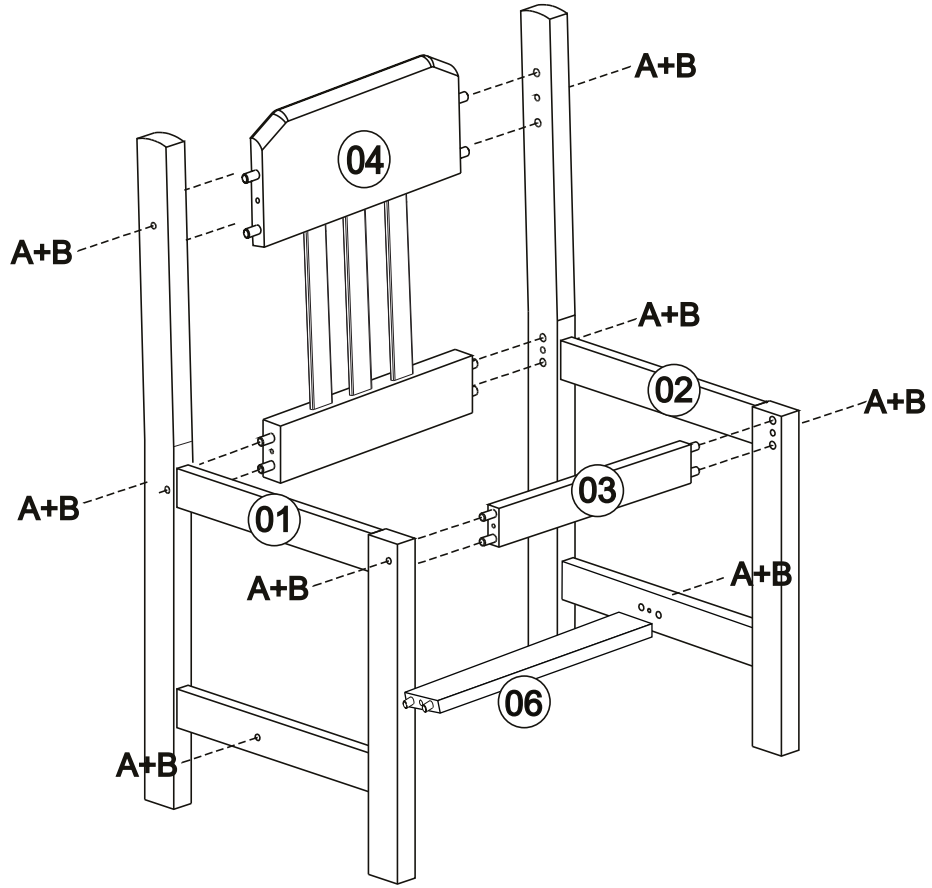
WARRANTY

Replacement Parts & Limited Lifetime Warranty

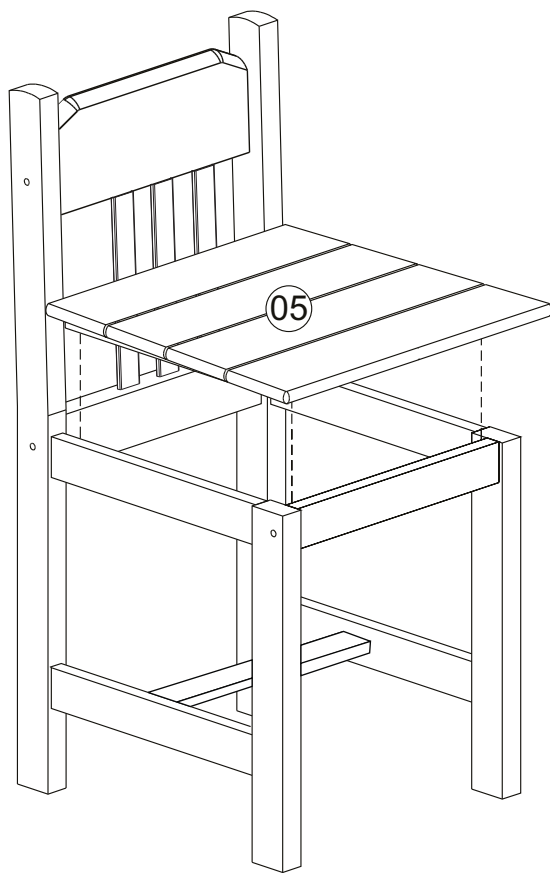
Discovery will replace any component part free of charge for 1 full year via UPS freight collect. In addition, Discovery will replace any component part for 50% of the then prevailing retail price plus freight for the lifetime of the product. For service, mail your request to: Discovery 915 Cornwall Rd, Sanford, FL 32773



1



2



3

