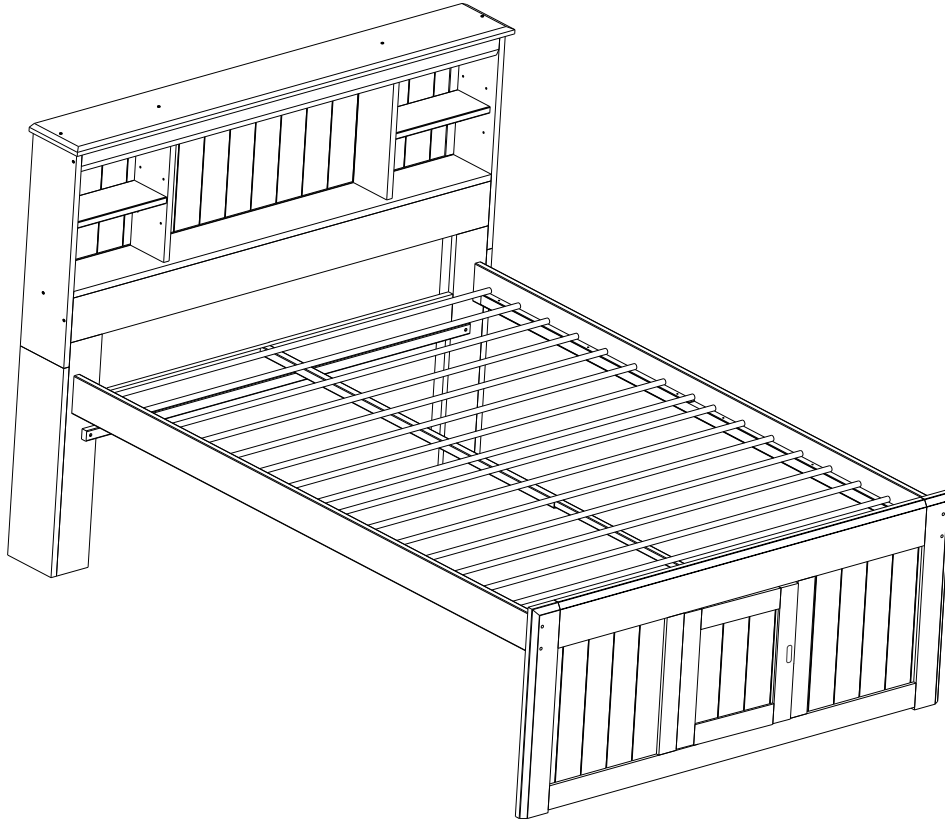
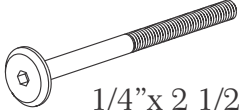
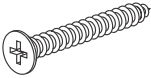

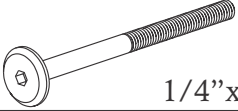
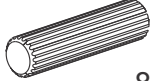
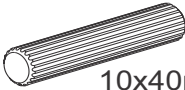
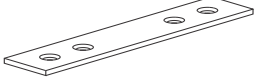






2121-2821 Bookcase Captain's Bed Full



A	 1/4" x 2 1/2"	04
B	 1 1/4"	02
C	 5/8"	08
D	 1/4" x 3"	04
E	 8x40mm	10

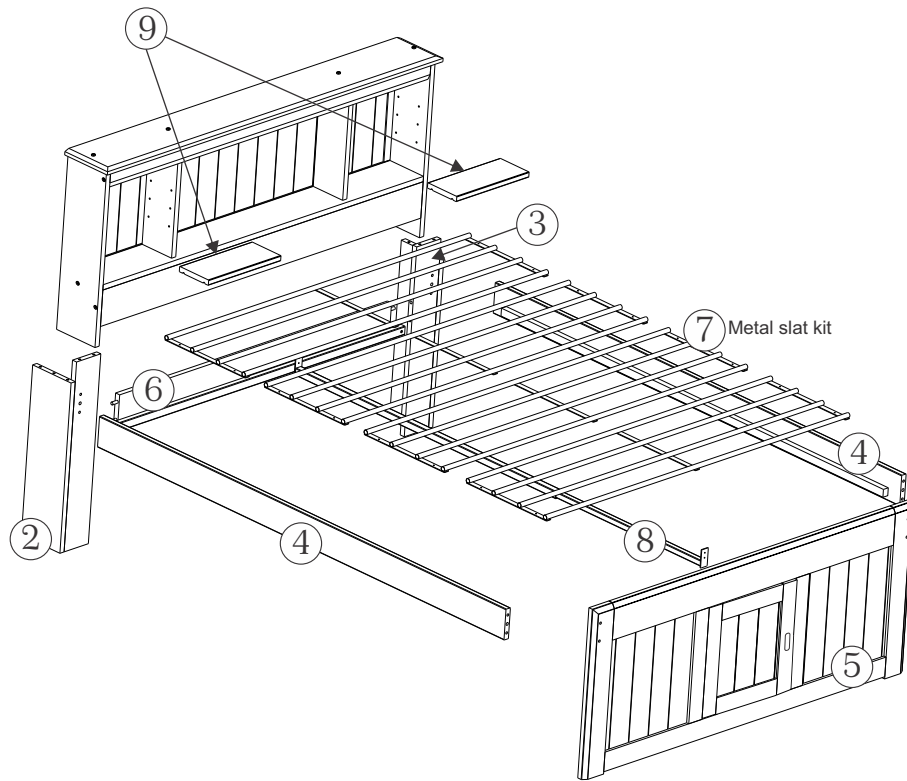
F	 10x40mm	04
G		02
H		01
I		08

WARRANTY

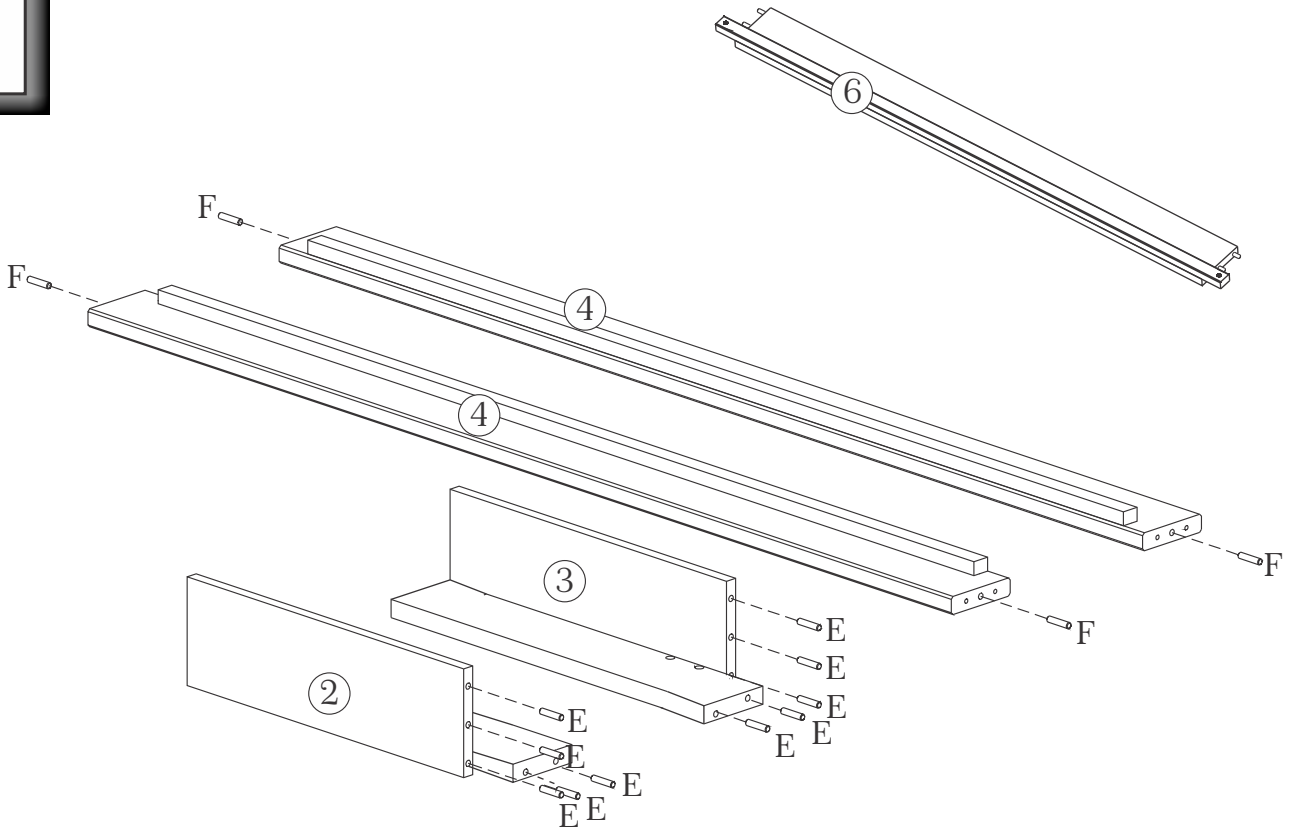
Replacement Parts & Limited Lifetime Warranty

Discovery World Furniture will replace any component part free of charge for 1 full year via UPS freight collect. In addition, Discovery World Furniture will replace any component part for 50% of the then prevailing retail price plus freight for the lifetime of the product. For service, mail your request to:

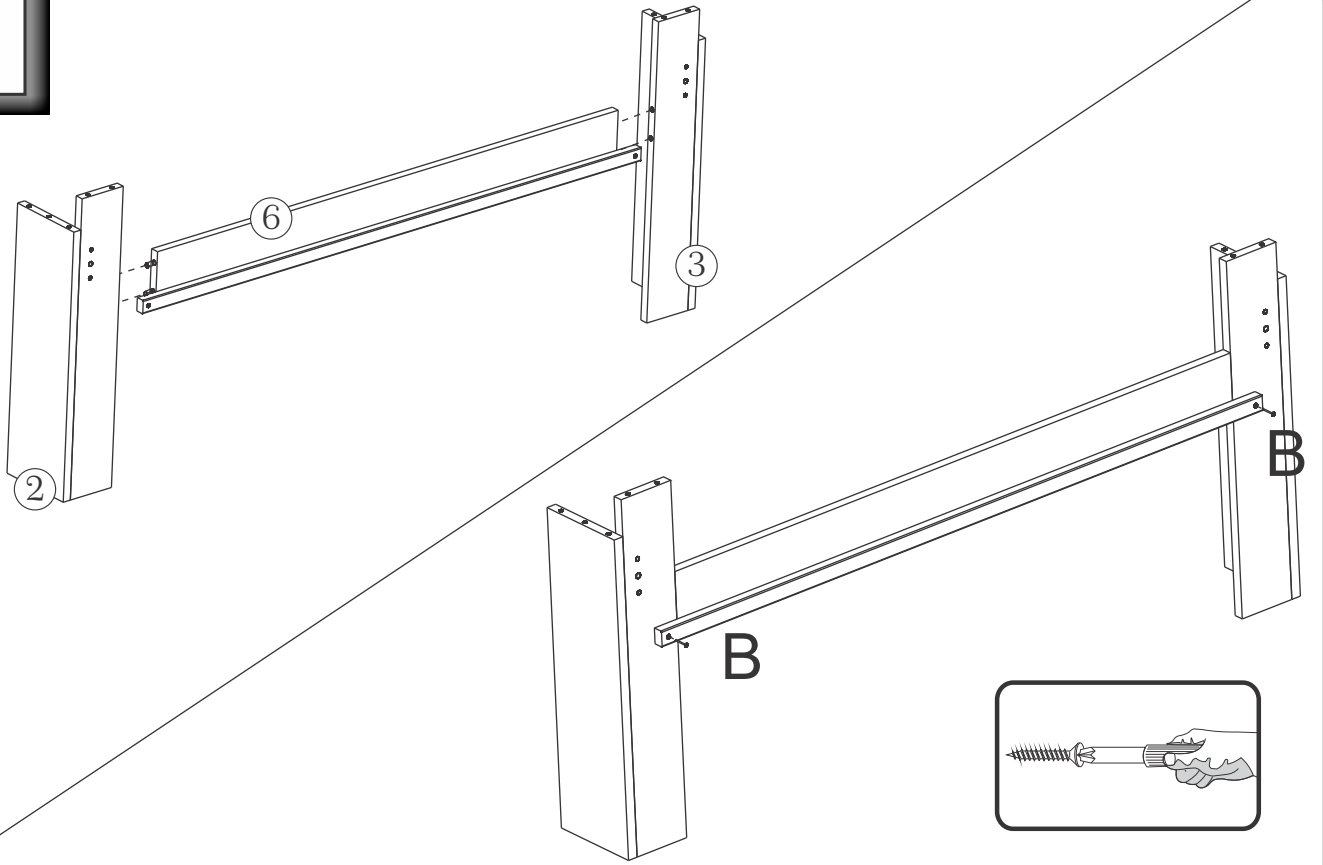
Discovery World Furniture 2963 Stonewall Place, Sanford, FL 32773



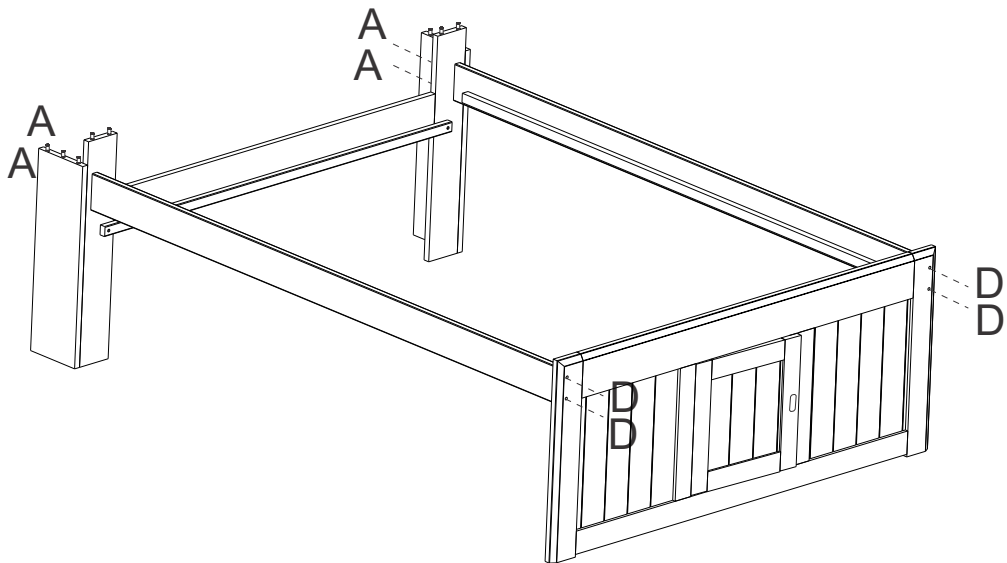
1



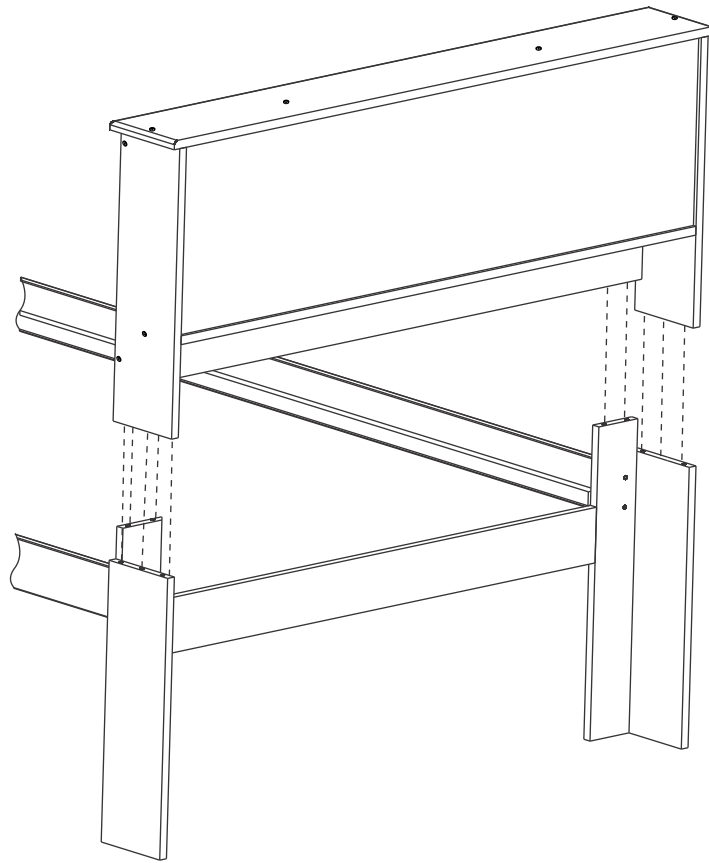
2



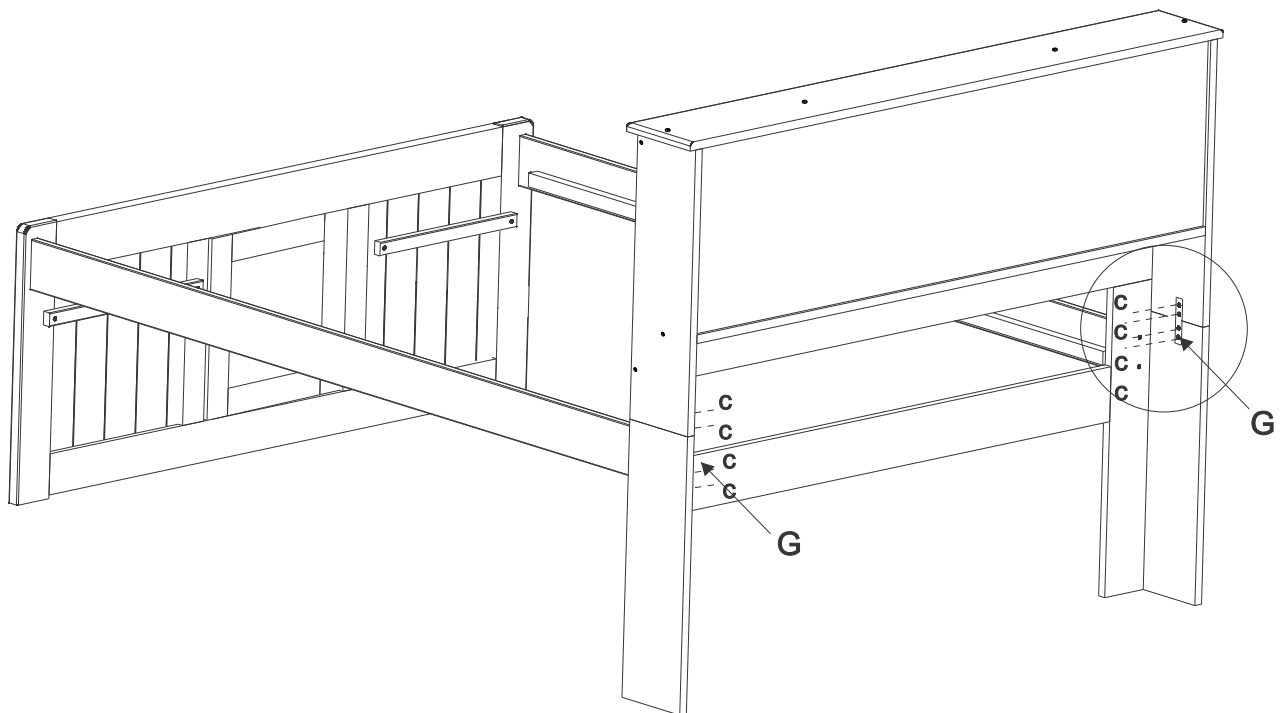
3



4



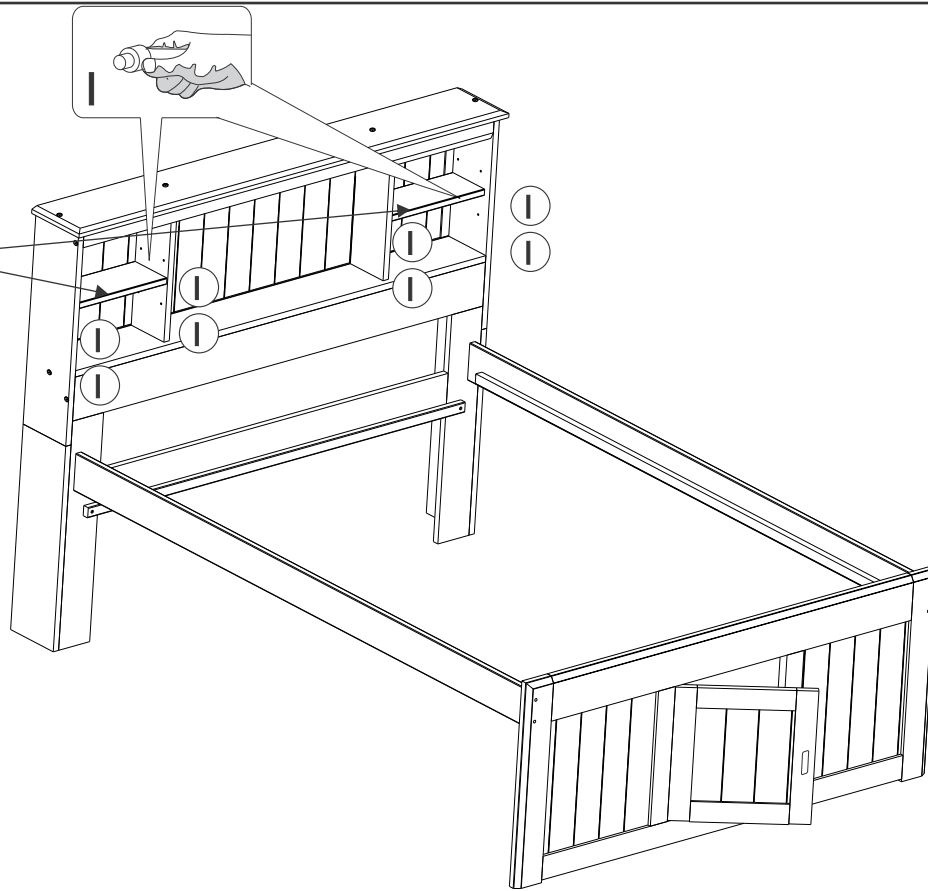
5



6

Install shelves

9

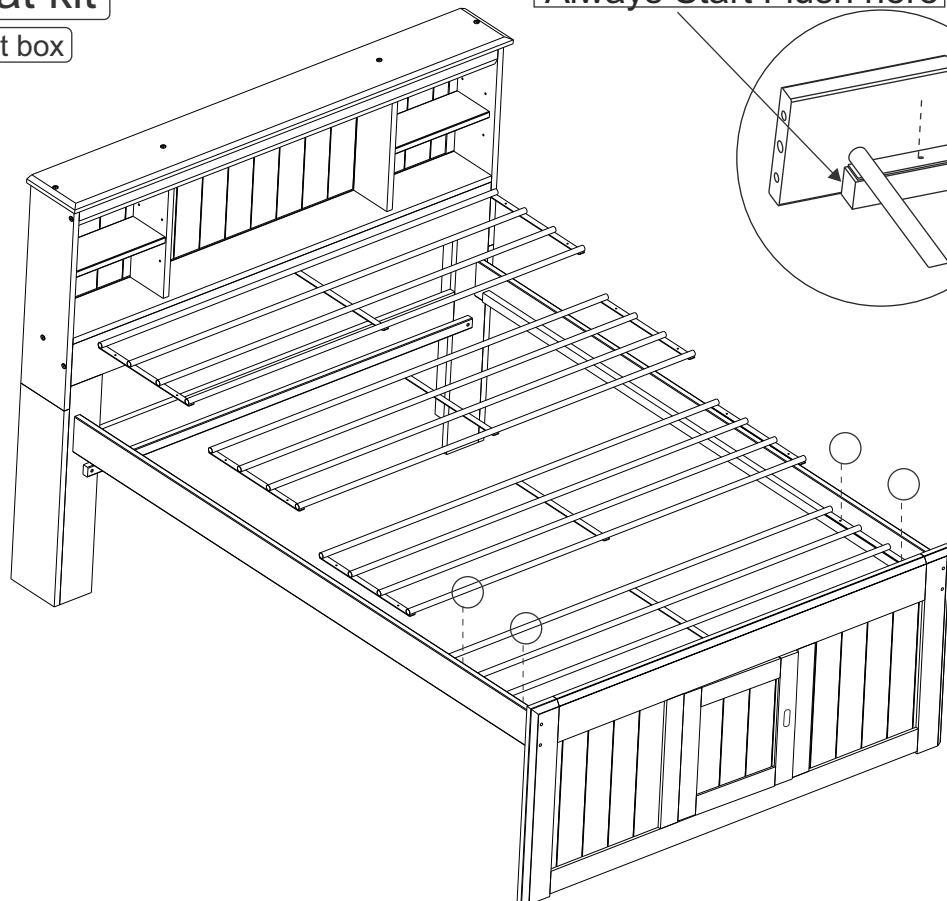


7

Install slat kit

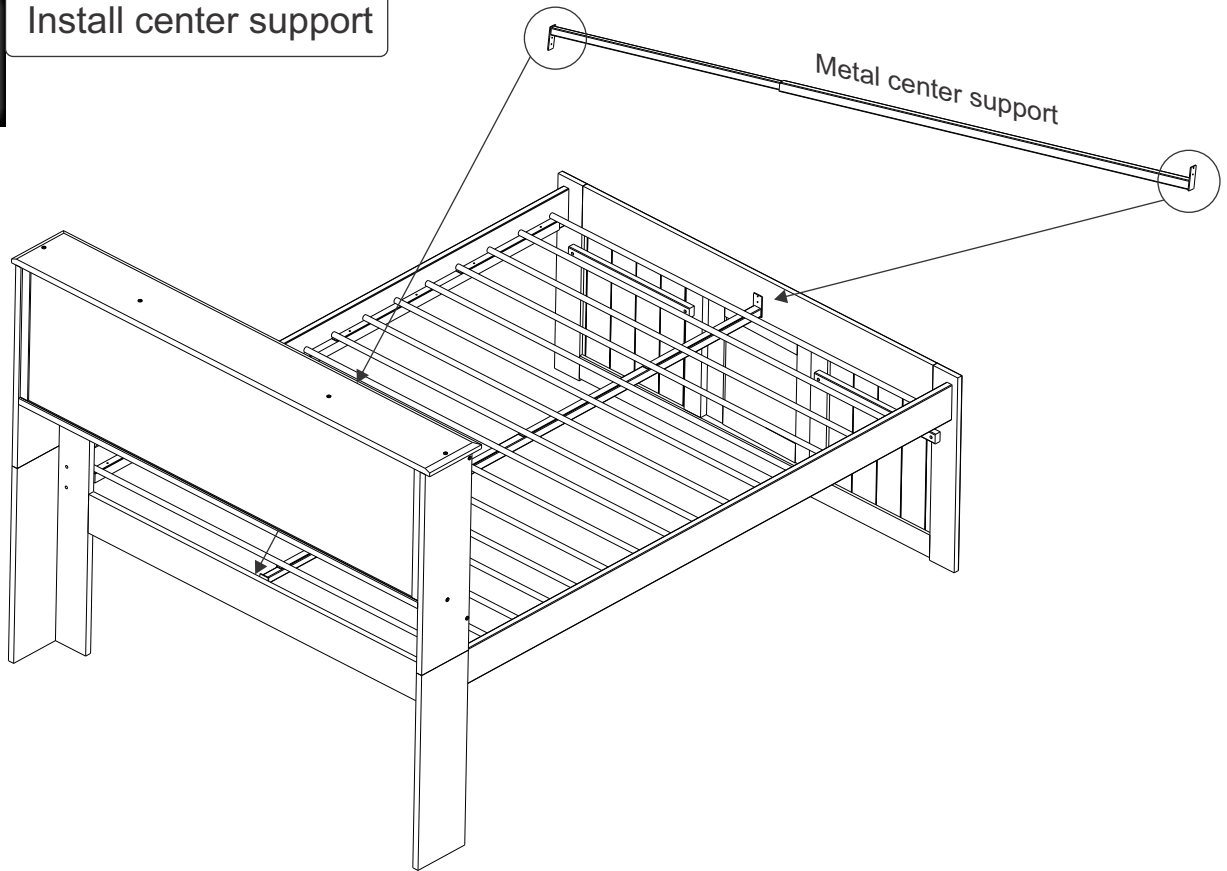
Screws in slat box

Always Start Flush here

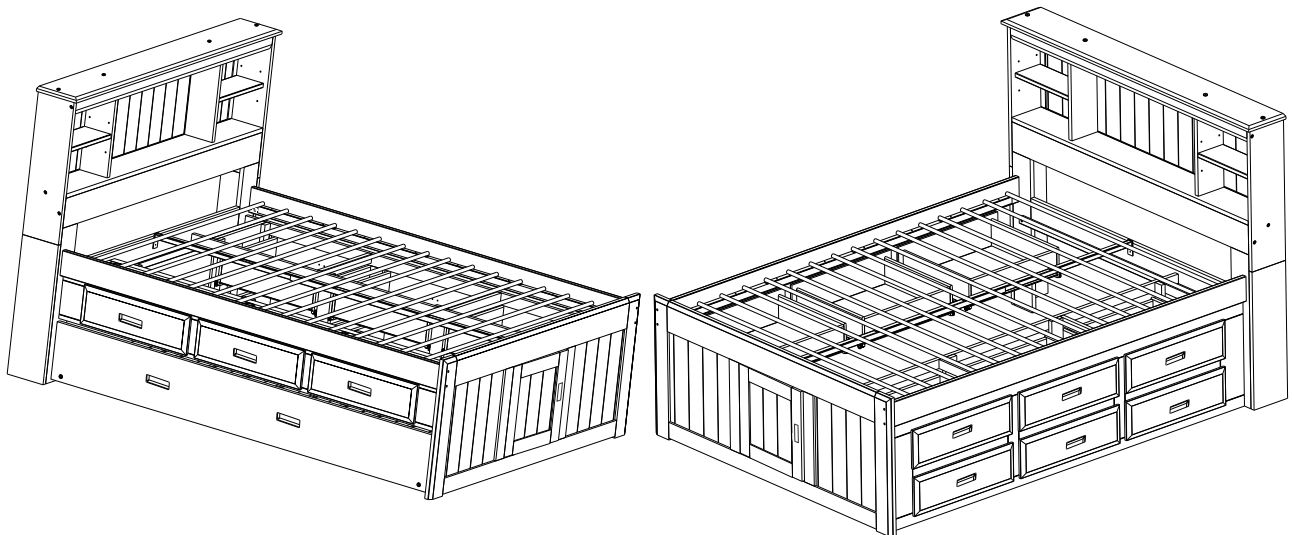


8

Install center support



9



Shown with optional
3 Drawer elevation unit
and Trundle

Shown with optional
6 Drawer unit