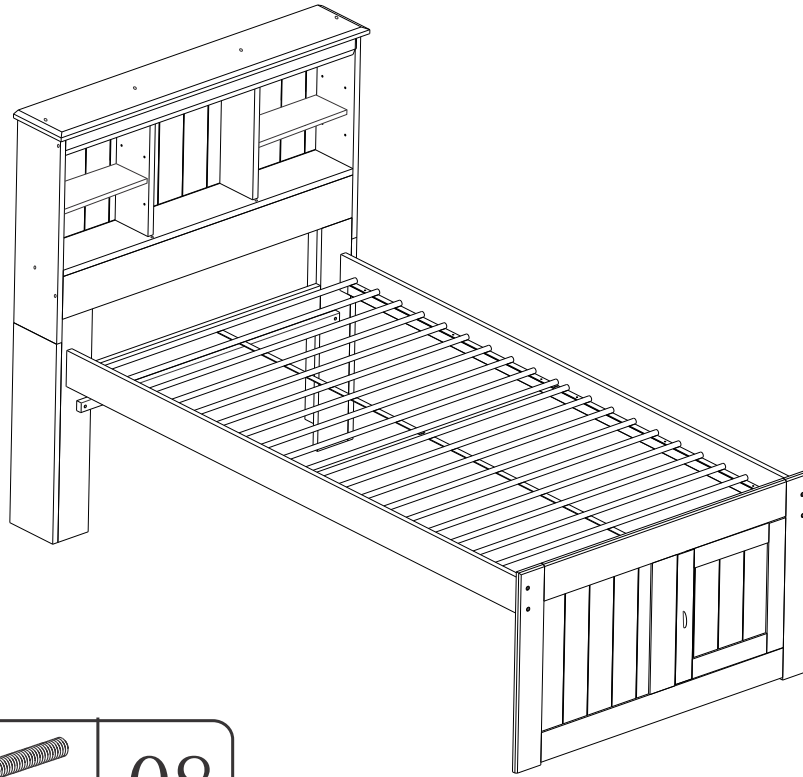
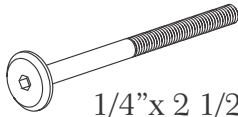
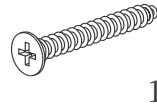
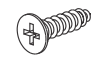
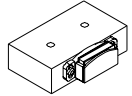
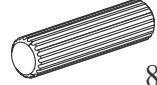
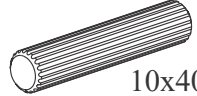
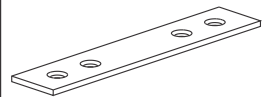
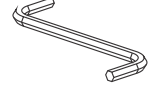





2120/2820 Bookcase Captain's Bed Twin



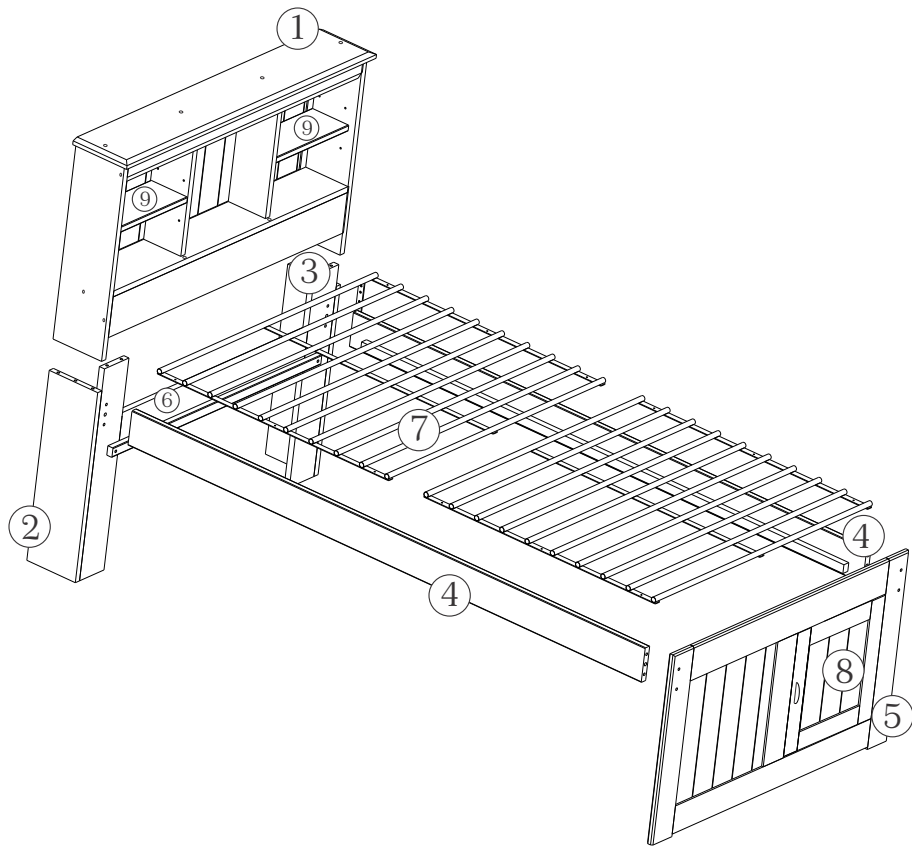
A	 1/4"x 2 1/2"	08
B	 1 1/4"	06
C	 9/16"	12
D		01
E	 8x40mm	10
F	 10x40mm	02

G		02
H		01
I		08

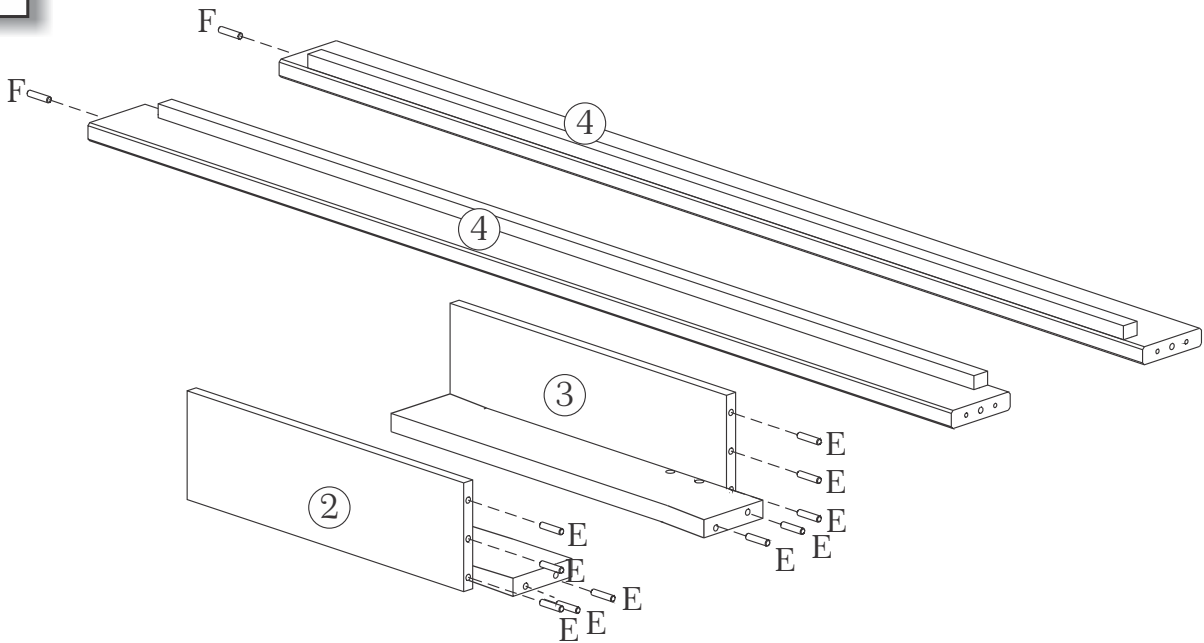
Replacement Parts & Limited Lifetime Warranty

Discovery World Furniture will replace any component part free of charge for 1 full year via UPS freight collect. In addition, Discovery World Furniture will replace any component part for 50% of the then prevailing retail price plus freight for the lifetime of the product, unless the product has been discontinued from our line. For service, mail your request to: Discovery World Furniture 2963 Stonewall Place, Sanford, FL 32773.

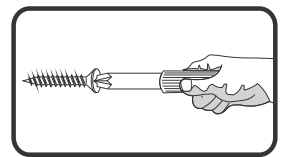
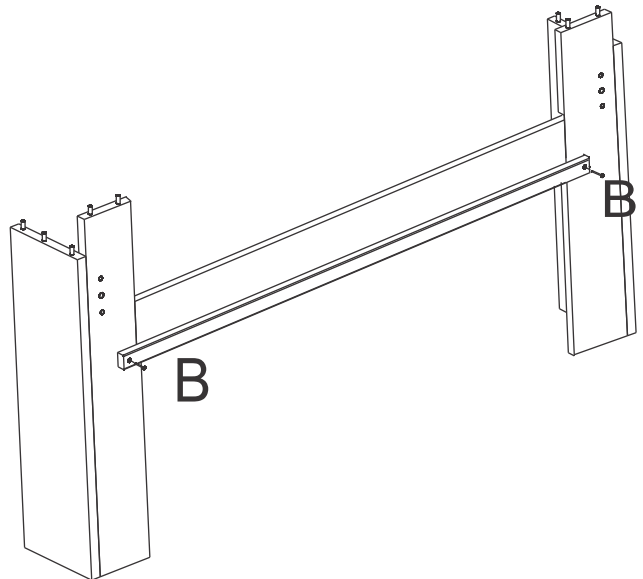
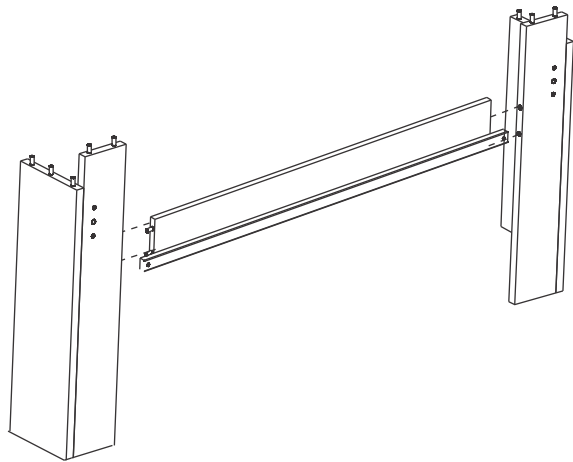
Website www.discoveryworldfurniture.com



1



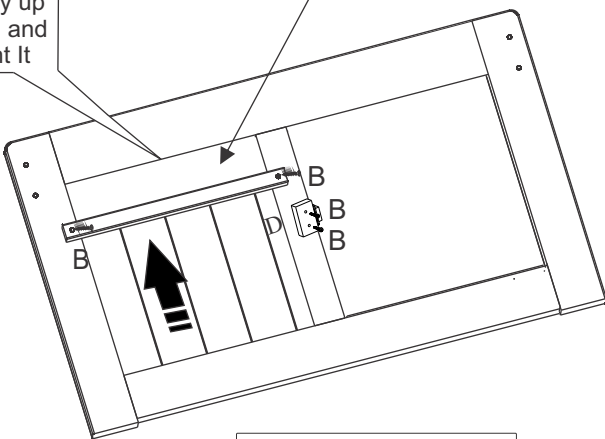
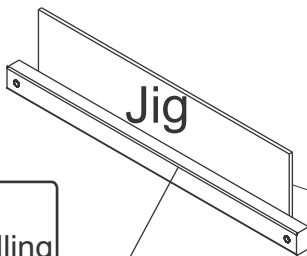
2



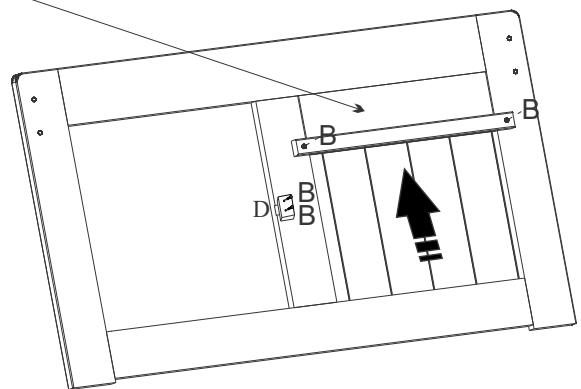
3

IMPORTANT NOTE
Choose side before installing
the elevation kit Jig
(Footboard is reversible)

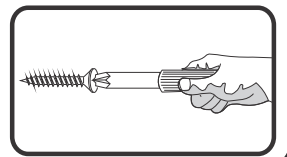
Push Jig all
the way up
to here and
mount it



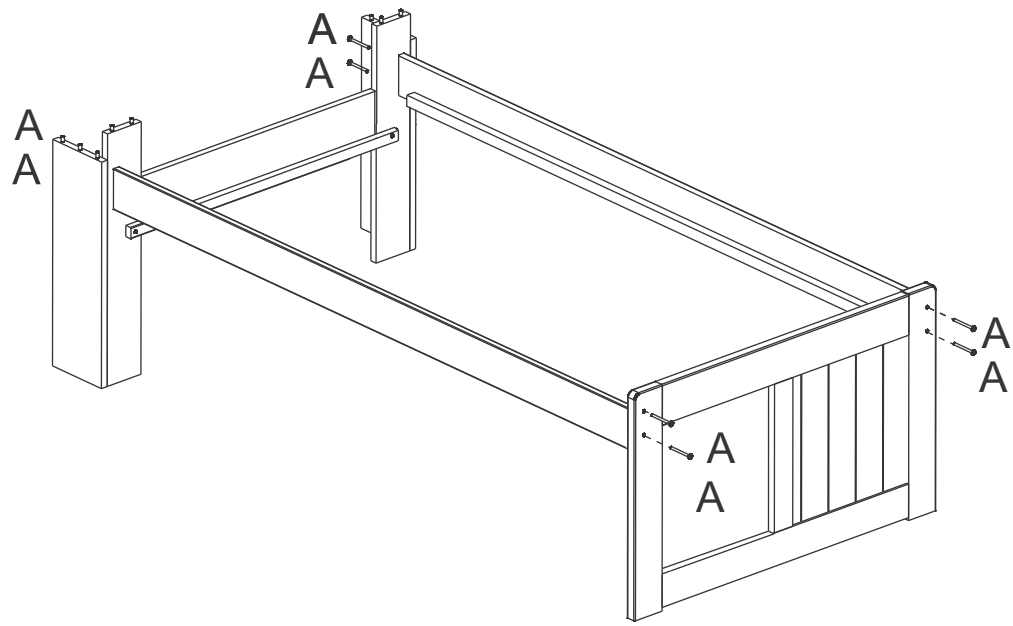
Door on the left



Door on the right

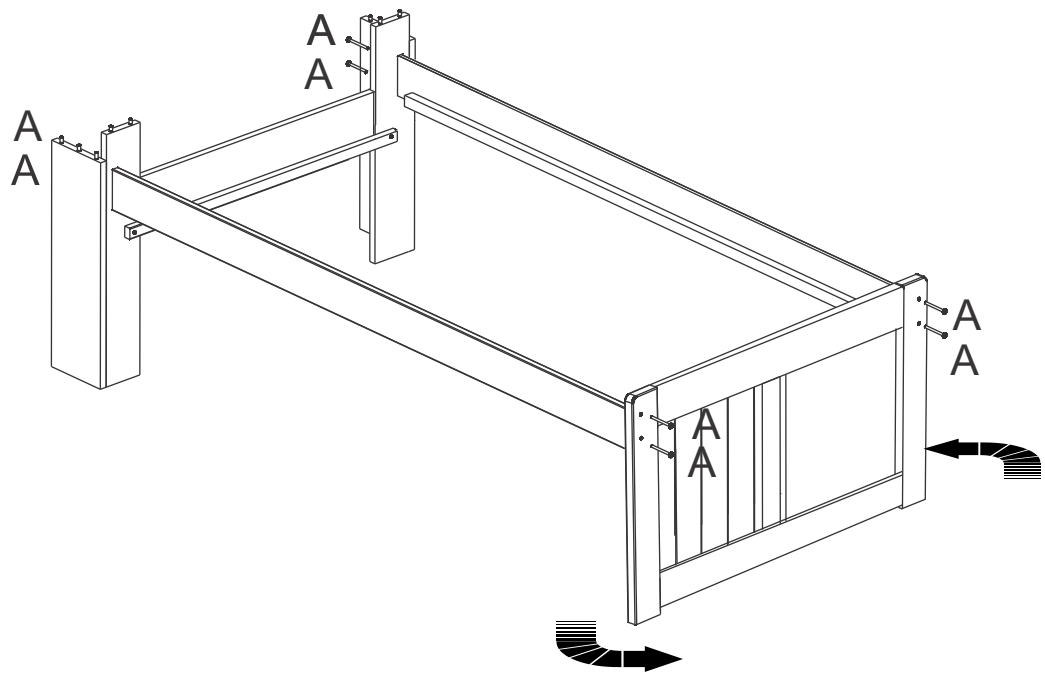


4



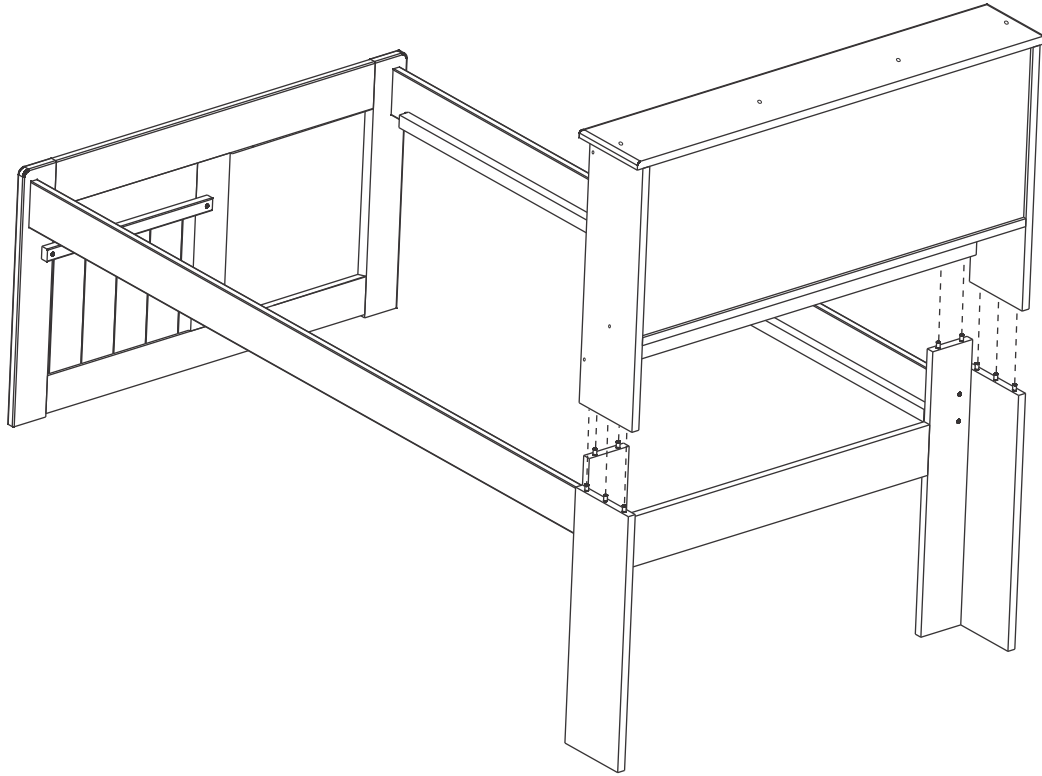
Door on the left side

5

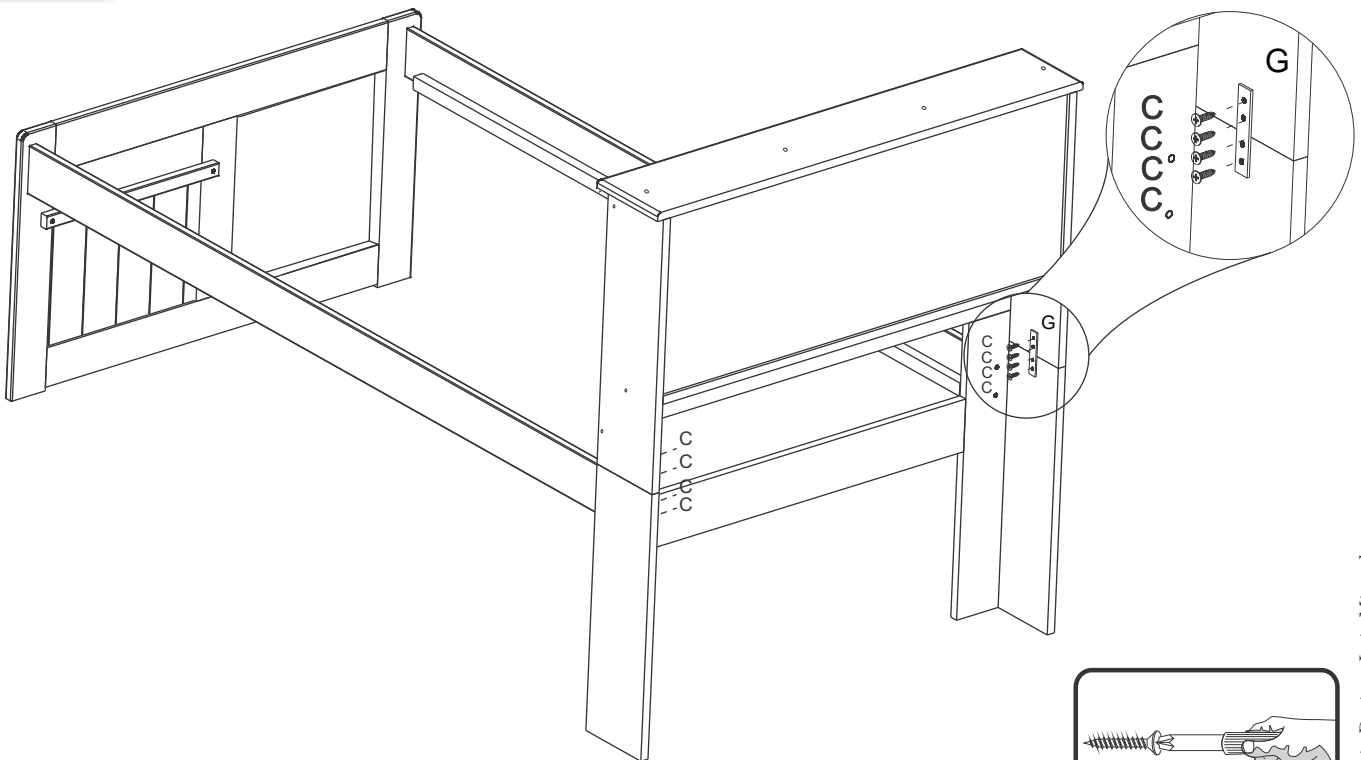


Door on the right side

6



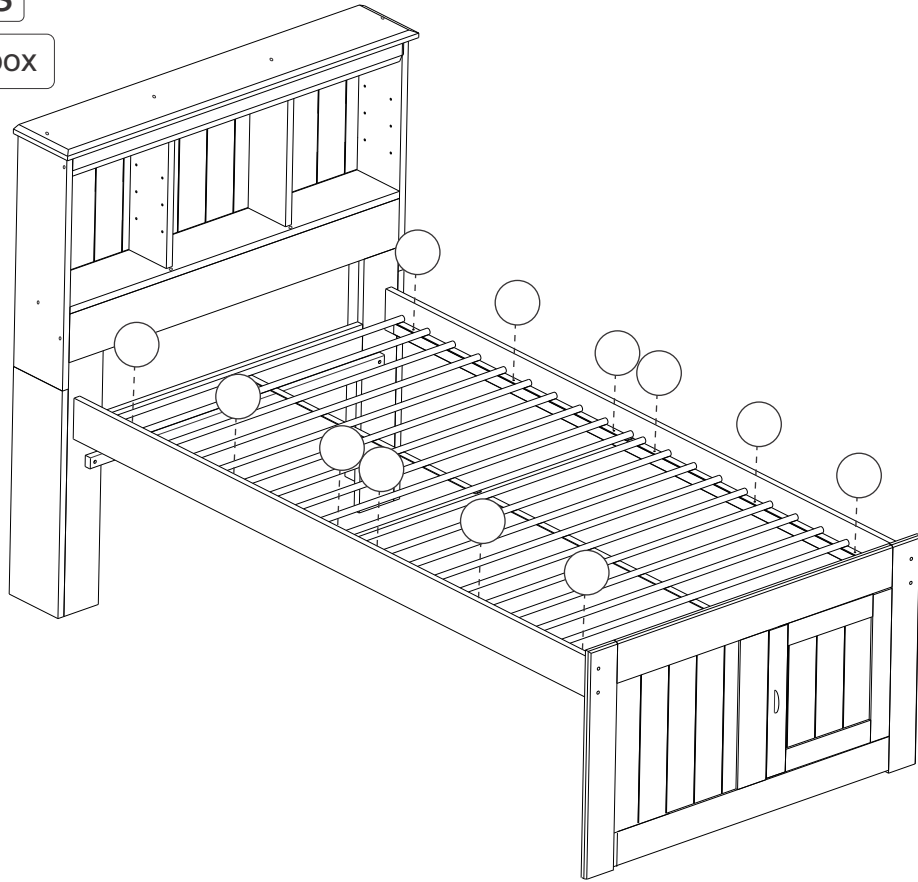
7



8

Install slats

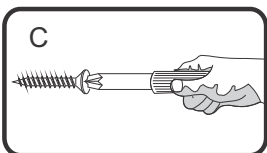
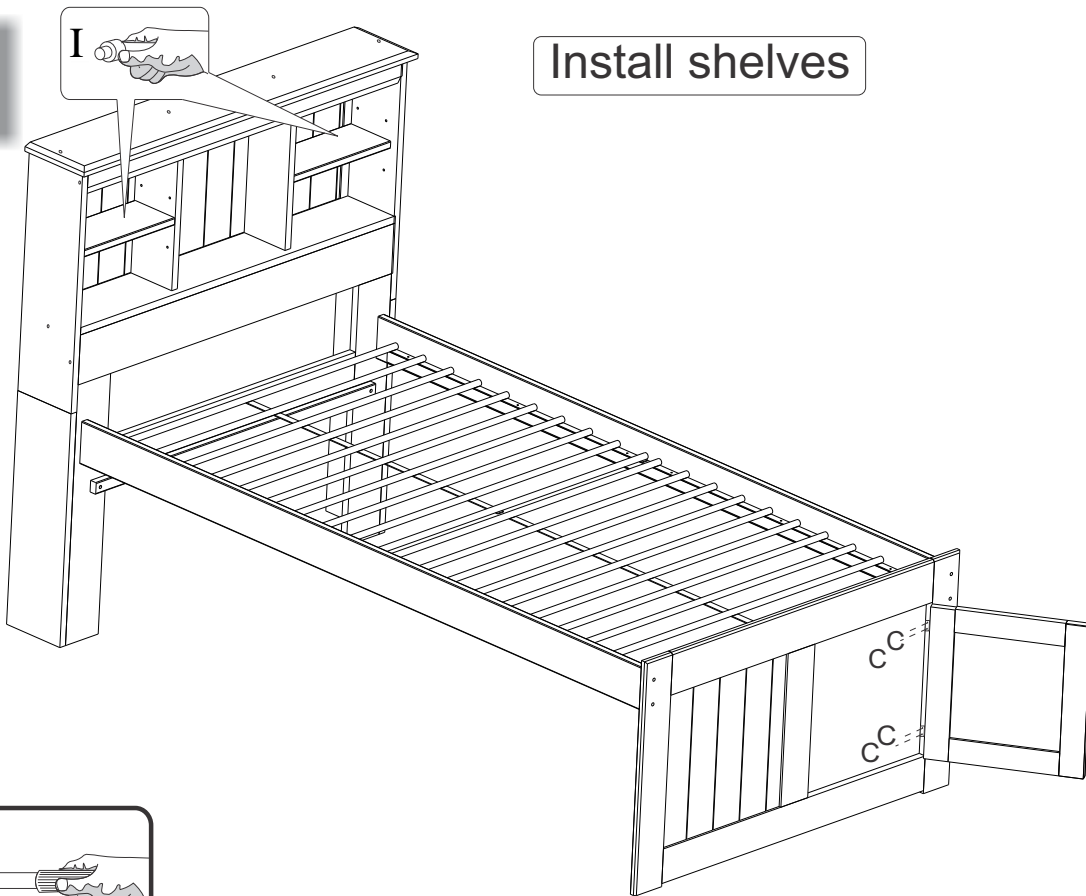
Screws in slat box

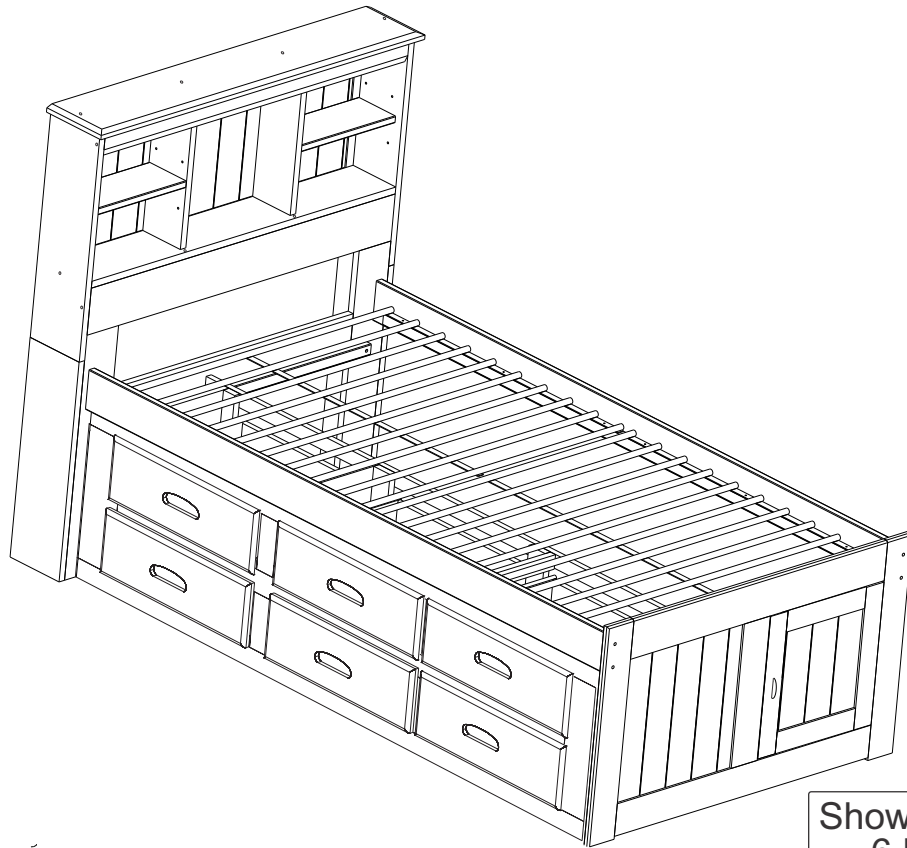


9

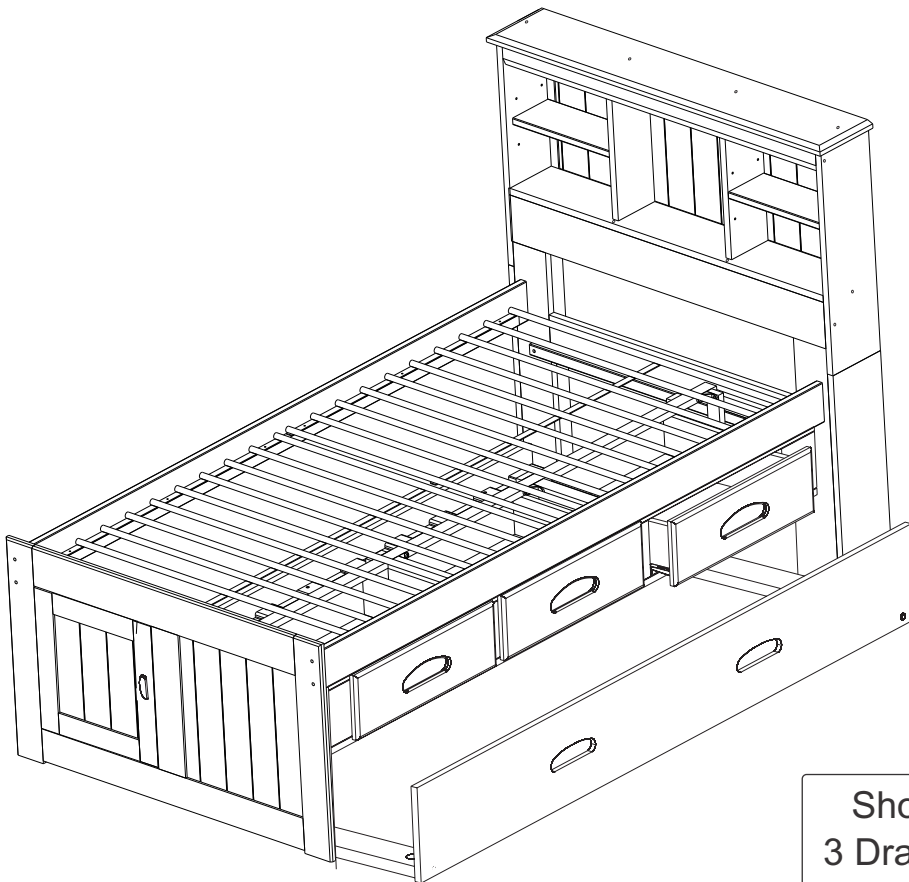
Install shelves

8X ①





Shown with optional
6 Drawer unit



Shown with optional
3 Drawer elevation unit
and trundle