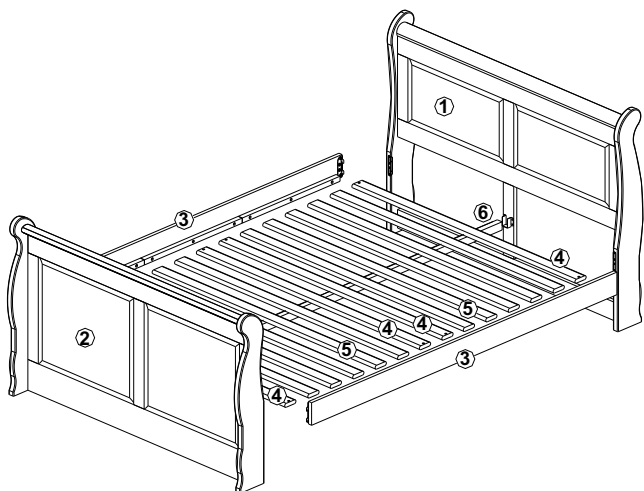
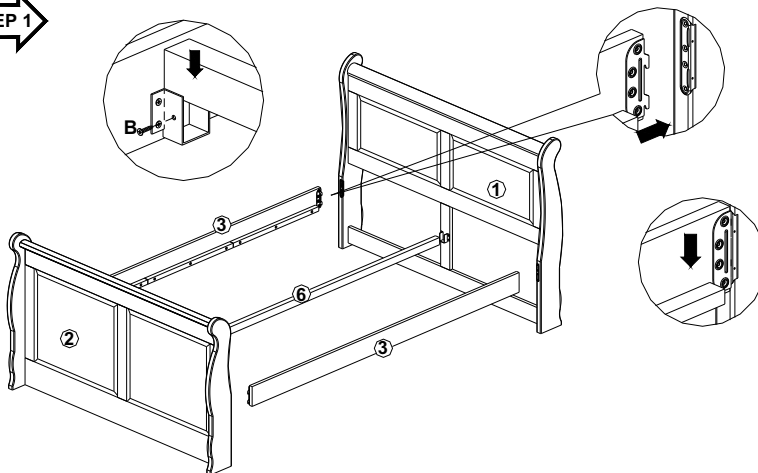


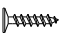
# Shaker Sleigh Bed Full

# PARTS LIST



STEP 1

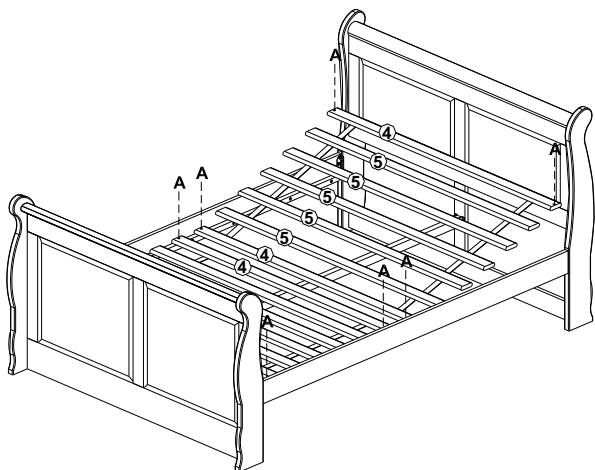


B  04

---

---

STEP 2



**NOTE:**

The spacing between slats needs to be less than 3 1/4".

---

---