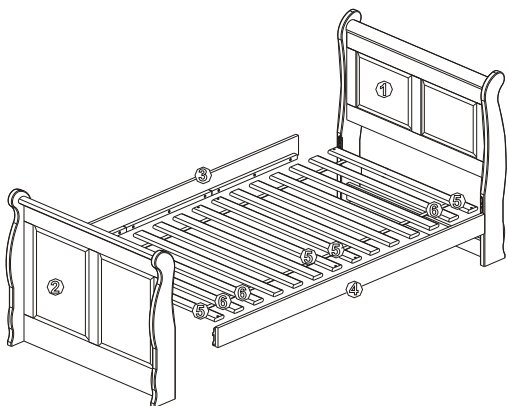
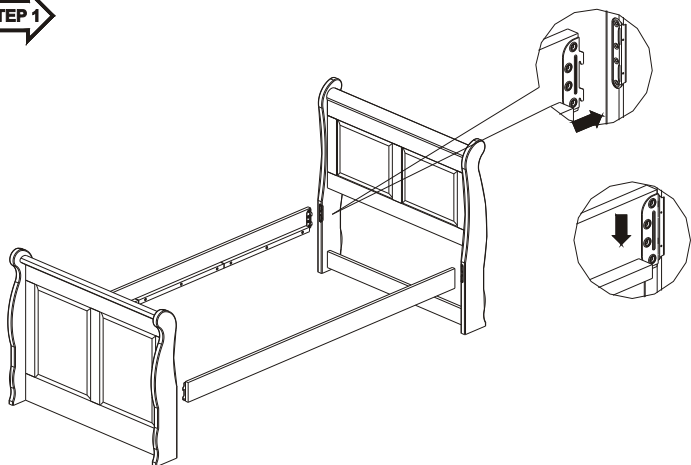
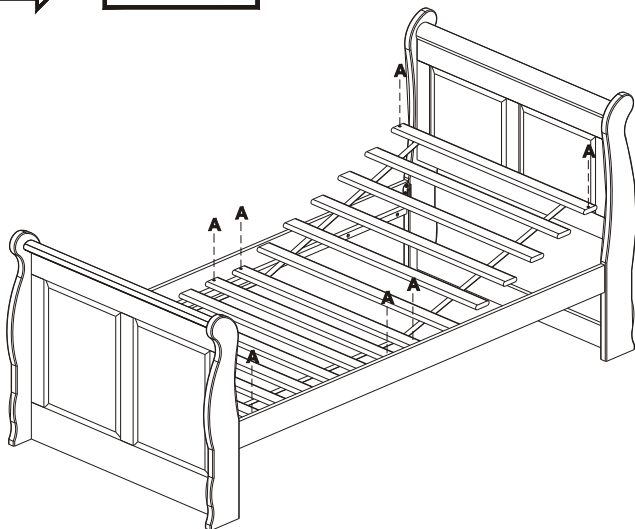

PARTS LIST



STEP 1 →



STEP 2



NOTE:

The spacing between slats needs to be less than 3 1/4".