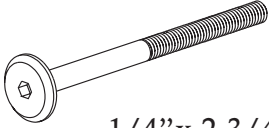
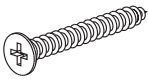
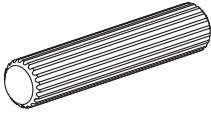

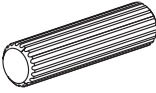
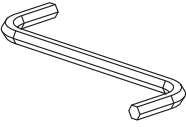
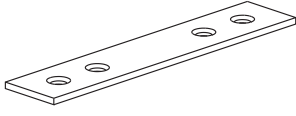
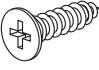
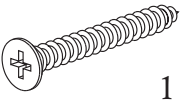


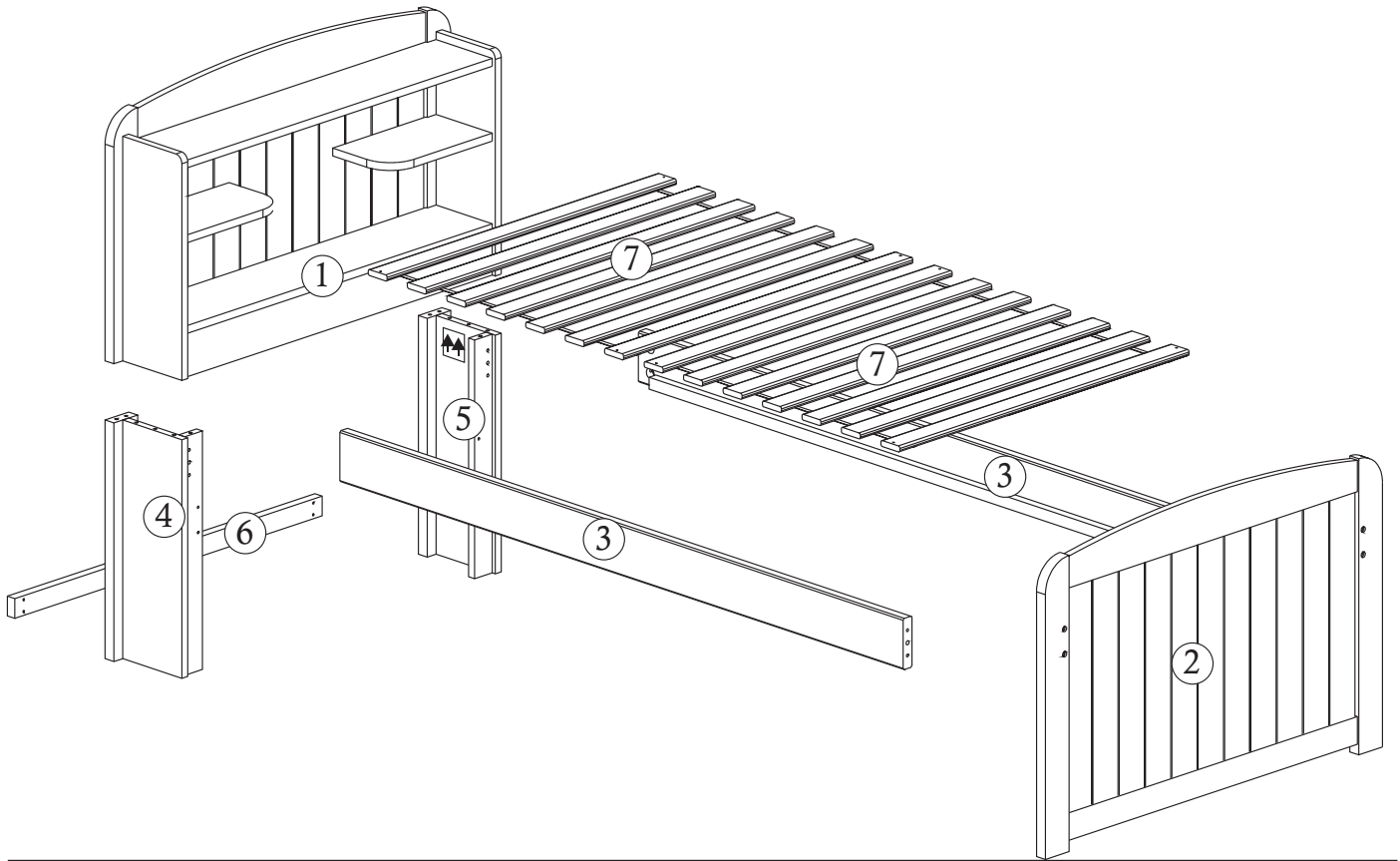
A	 1/4" x 2 3/4"	08
B	 1 3/8"	08
C	 2"	04
D		08
E	 1 1/2"	12

F		01
G		02
H	 1/2"	08
I	 1 1/2"	04

Replacement Parts & Limited Lifetime Warranty

Discovery World Furniture will replace any component part free of charge for 1 full year via UPS freight collect. In addition, Discovery World Furniture will replace any component part for 50% of the then prevailing retail price plus freight for the lifetime of the product, unless the product has been discontinued from our line. For service, mail your request to: Discovery World Furniture 915 Cornwall Rd, Sanford, FL 32773.

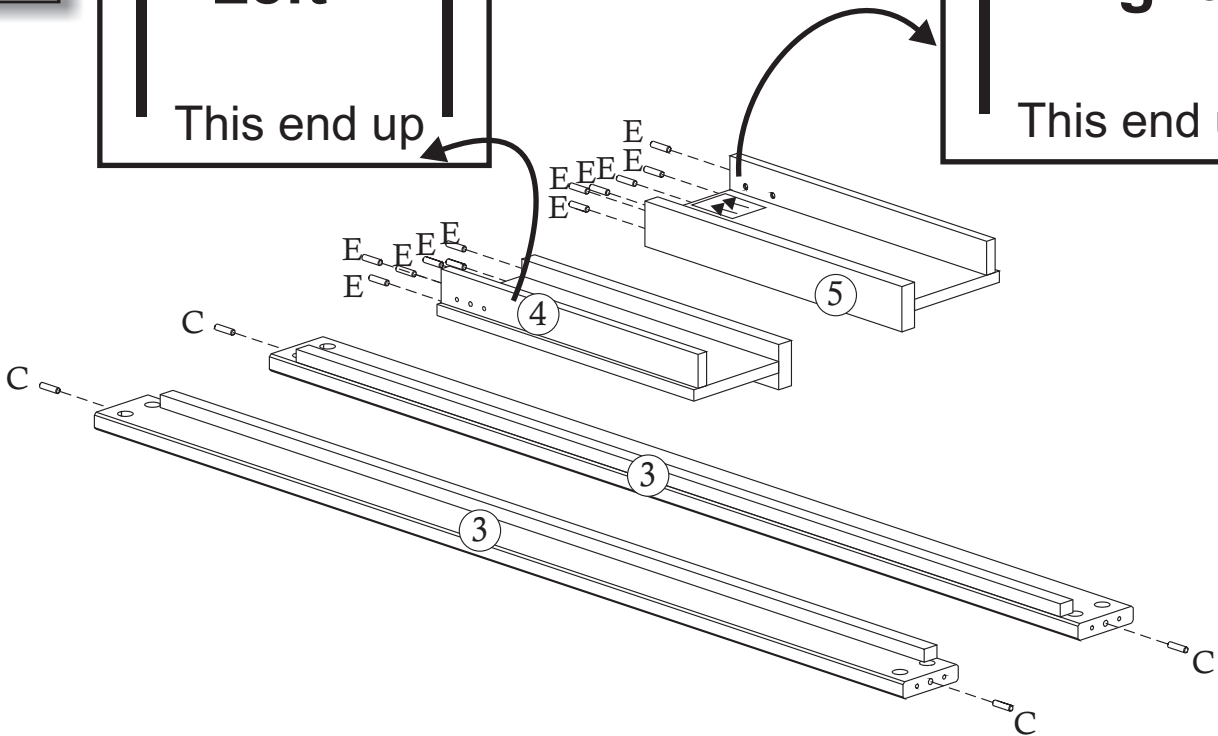
Website www.discoveryworldfurniture.com



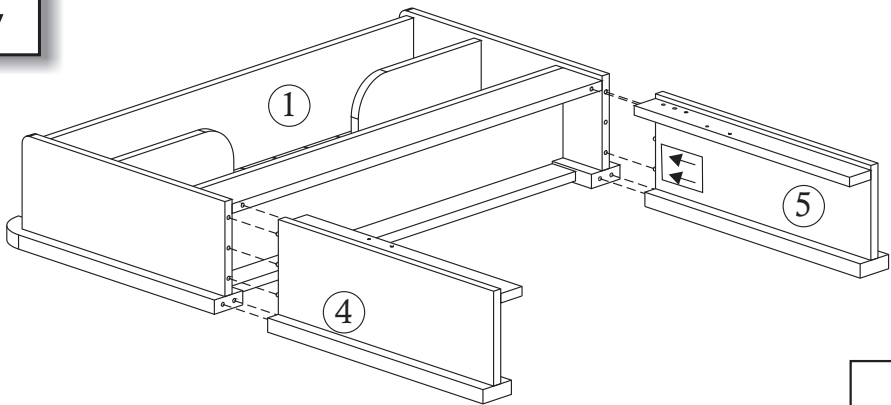
1

↑
Left
↑
This end up

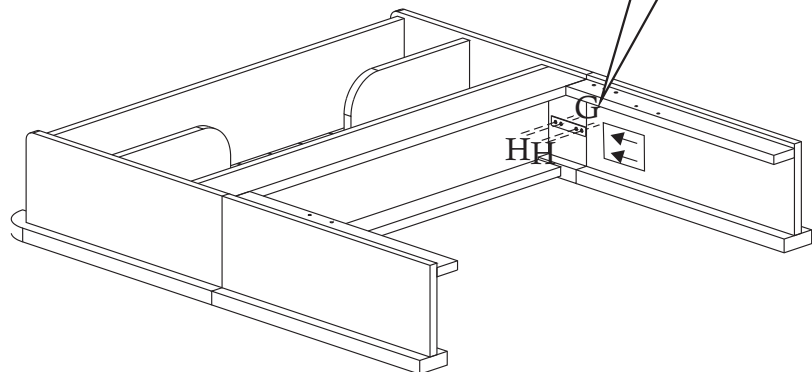
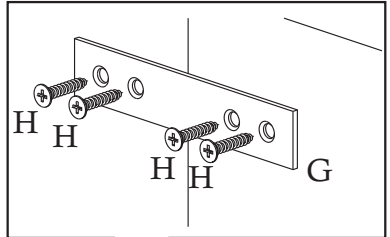
↑
Right
↑
This end up



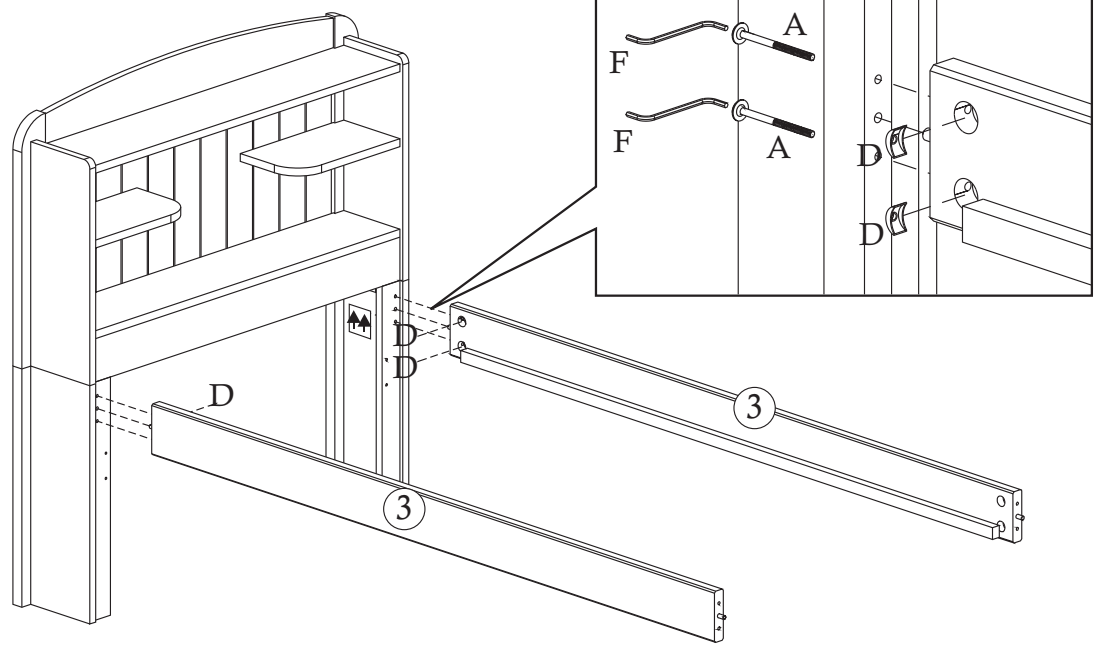
2



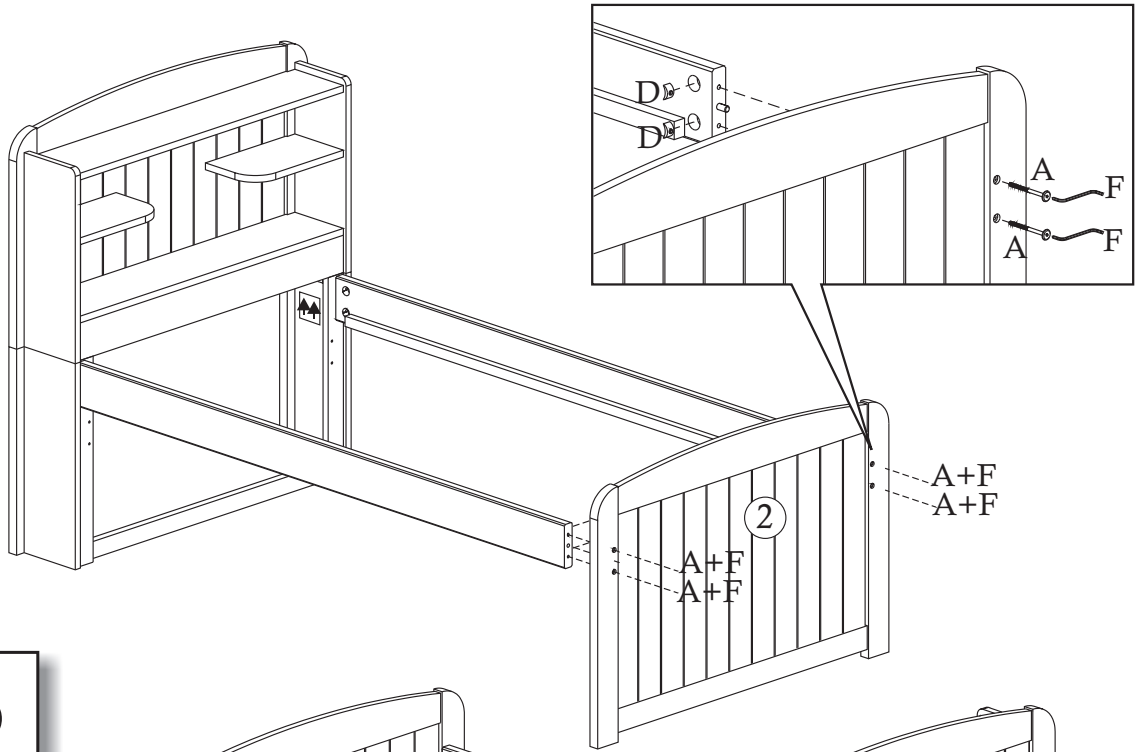
3



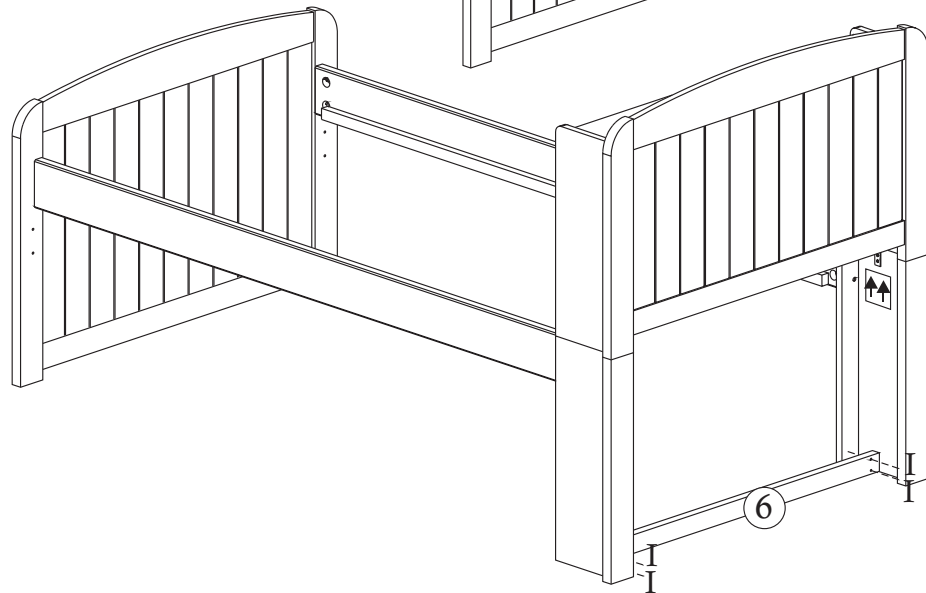
4



5



6



7

NOTE:
The spacing between slats
needs to be less than 3 1/4".

