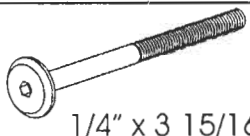
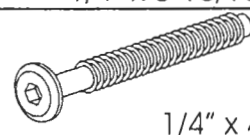
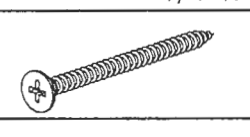
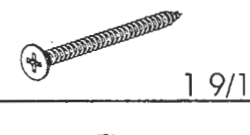
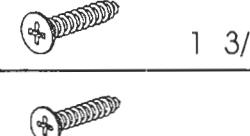
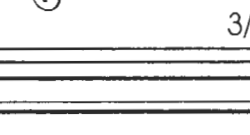
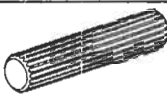
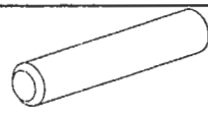

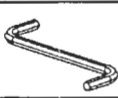
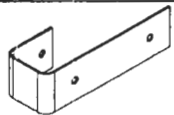
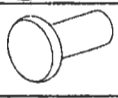



April 2004



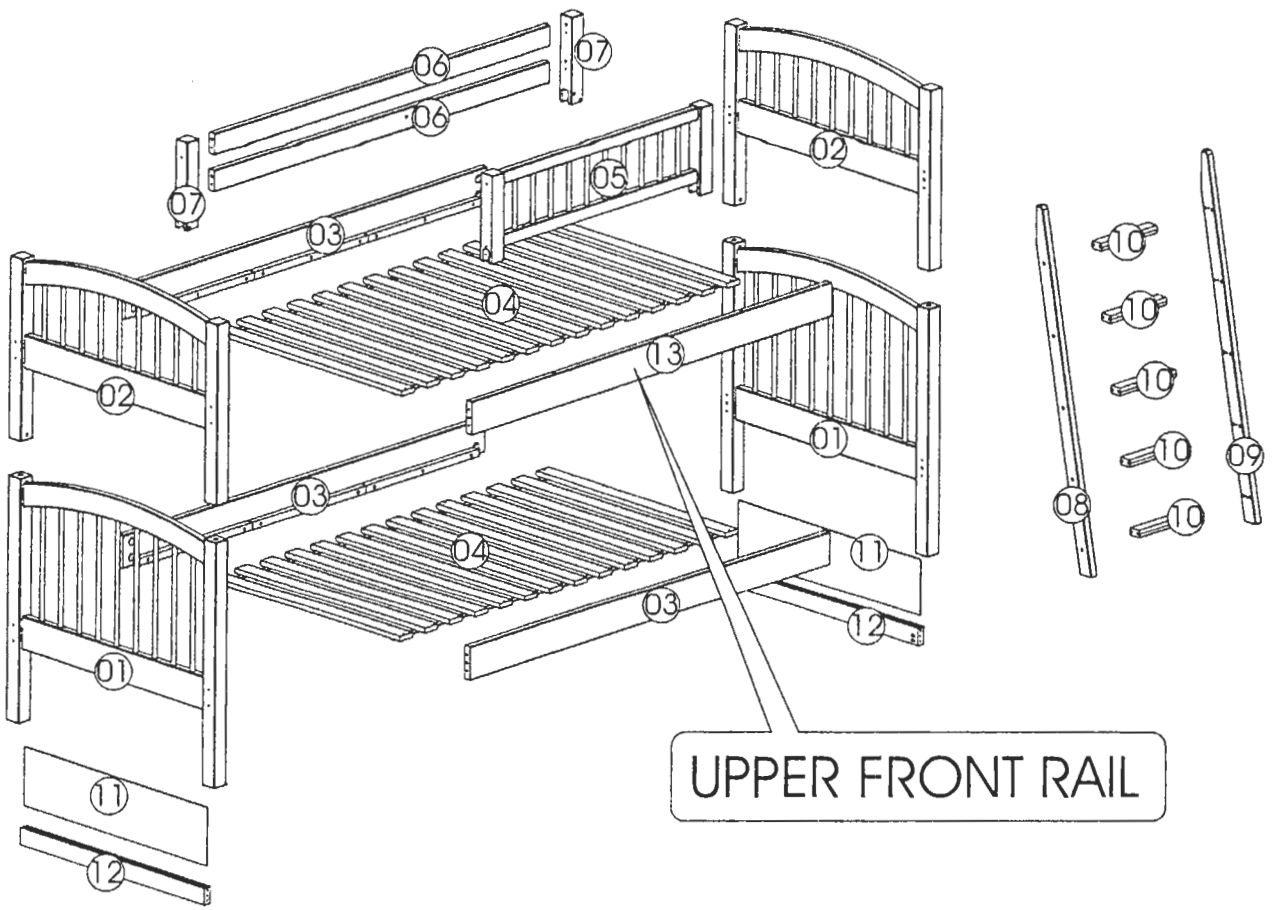
A		16
B		04
C		10
D		08
E		32
F		06

G		12
H		04
I		16
J		01
K		02
L		04
M		02

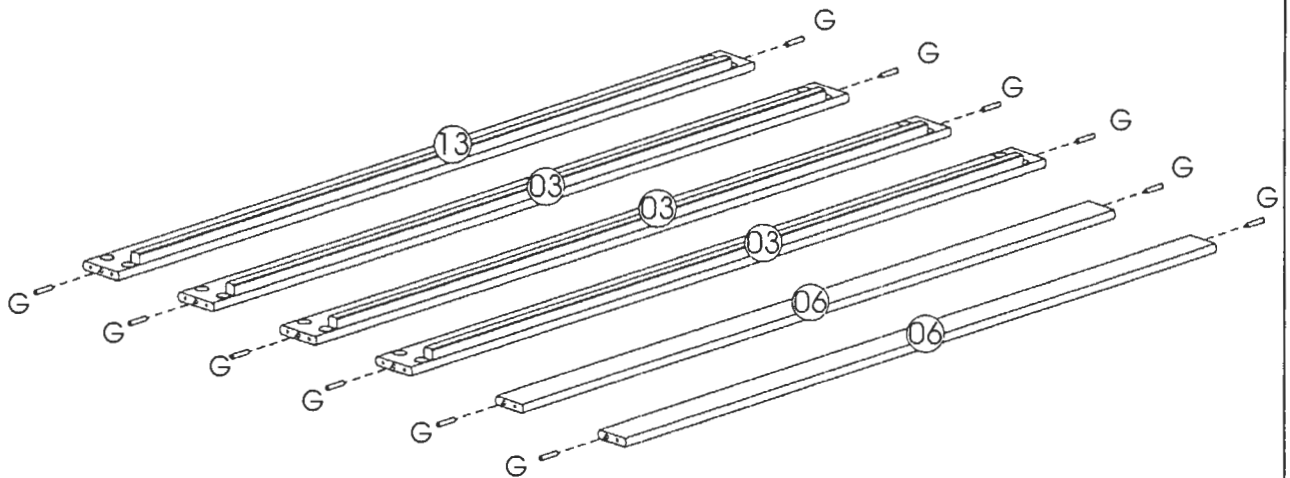
WARRANTY

Replacement Parts & Limited Lifetime Warranty

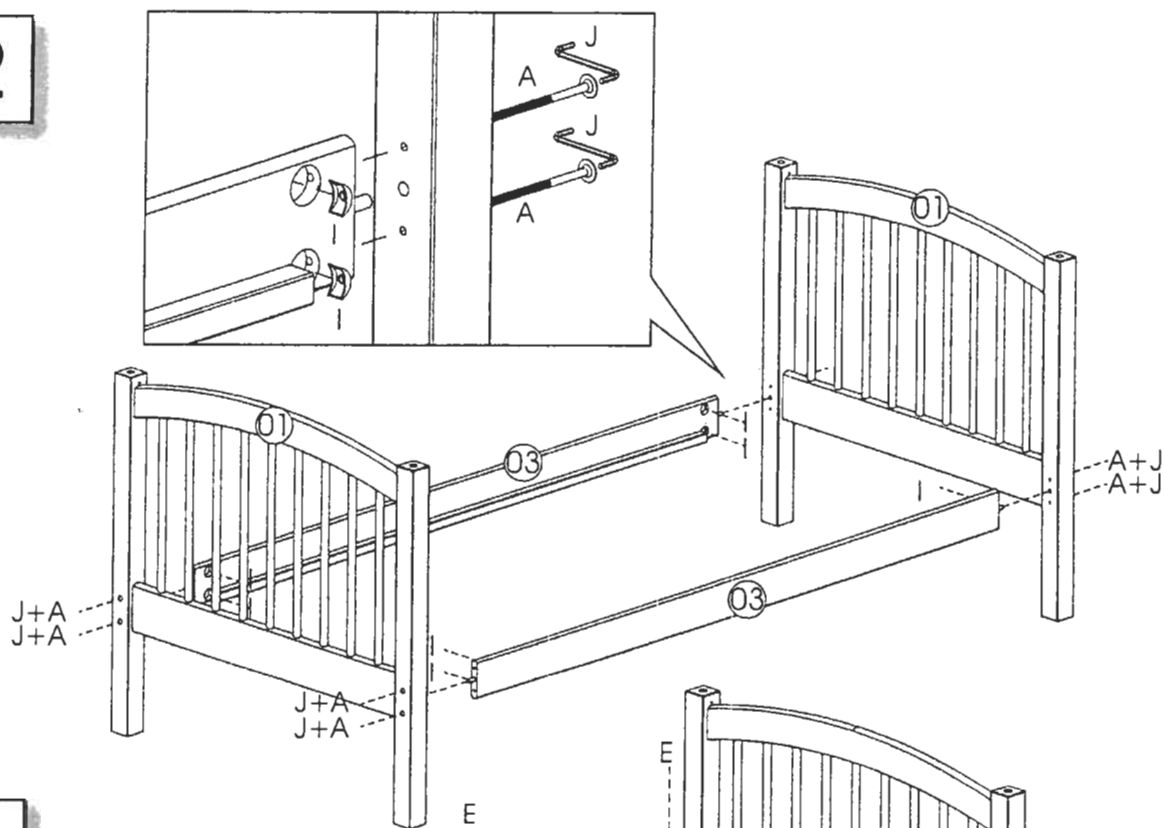
Discovery World Furniture will replace any component part free of charge for 1 full year via UPS freight collect. In addition, Discovery World Furniture will replace any component part for 50% of the then prevailing retail price plus freight for the lifetime of the product. For service, mail your request to:
 Discovery World Furniture 915 Cornwall Rd, Sanford, FL 32773



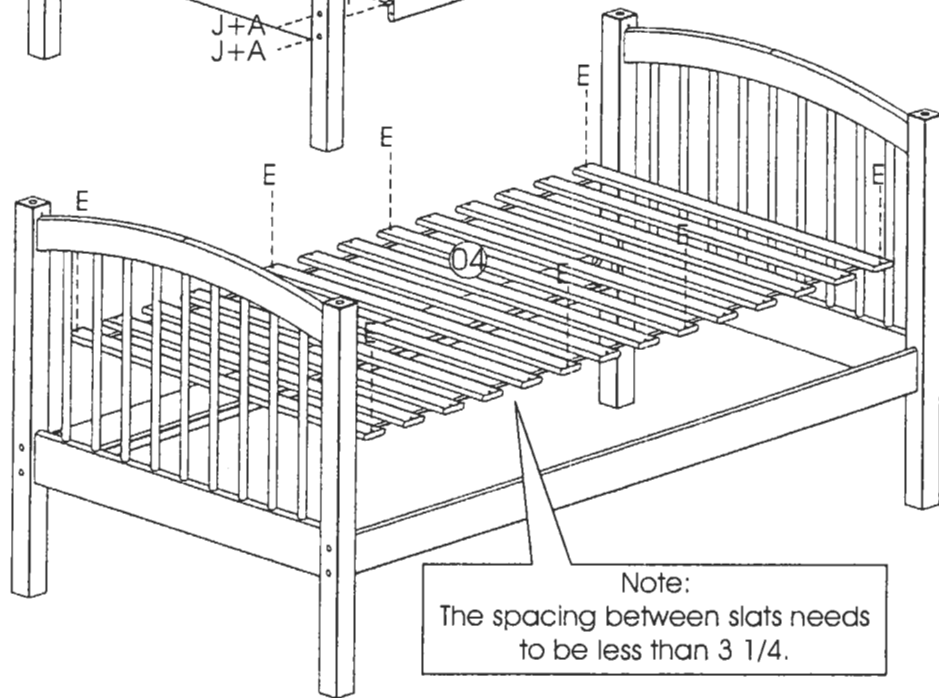
1



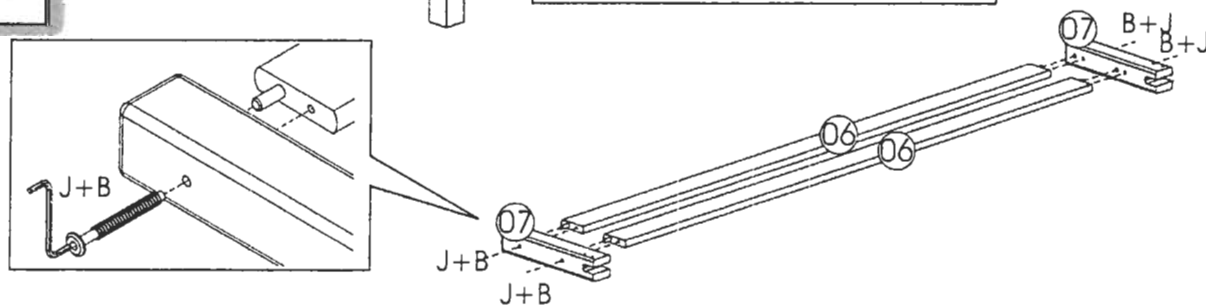
2



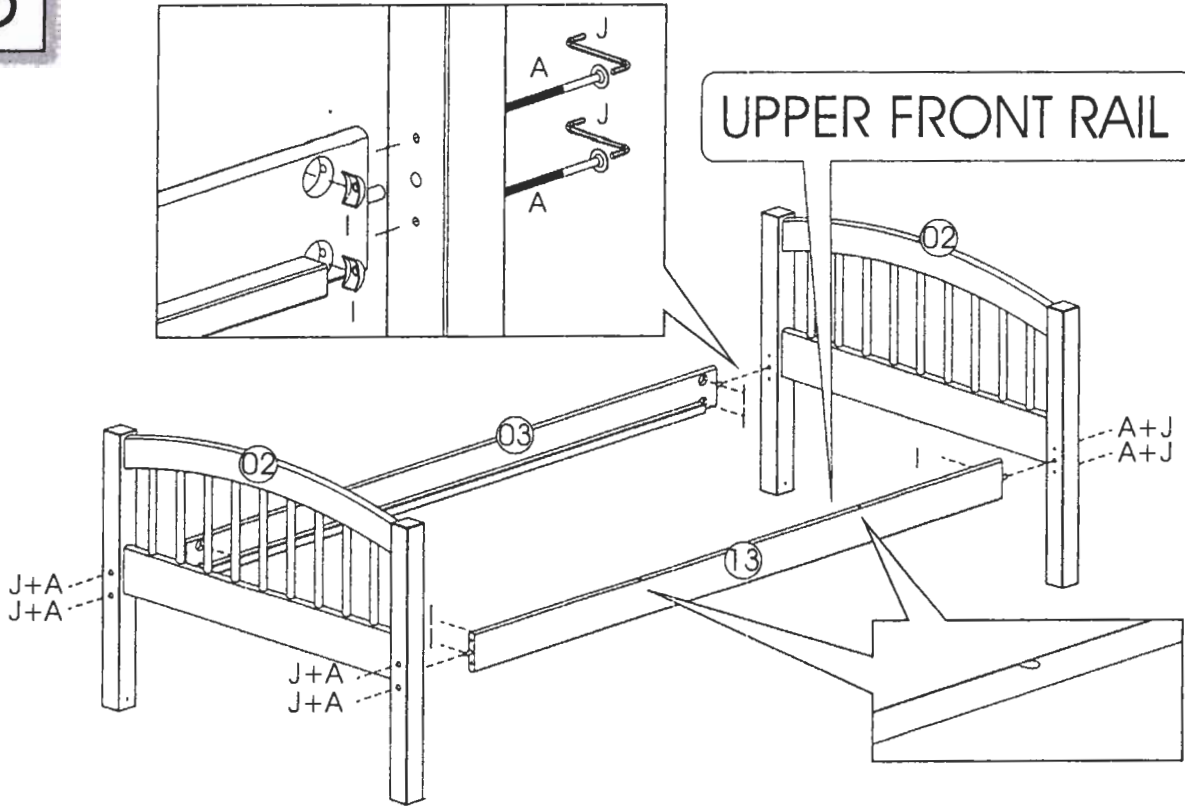
3



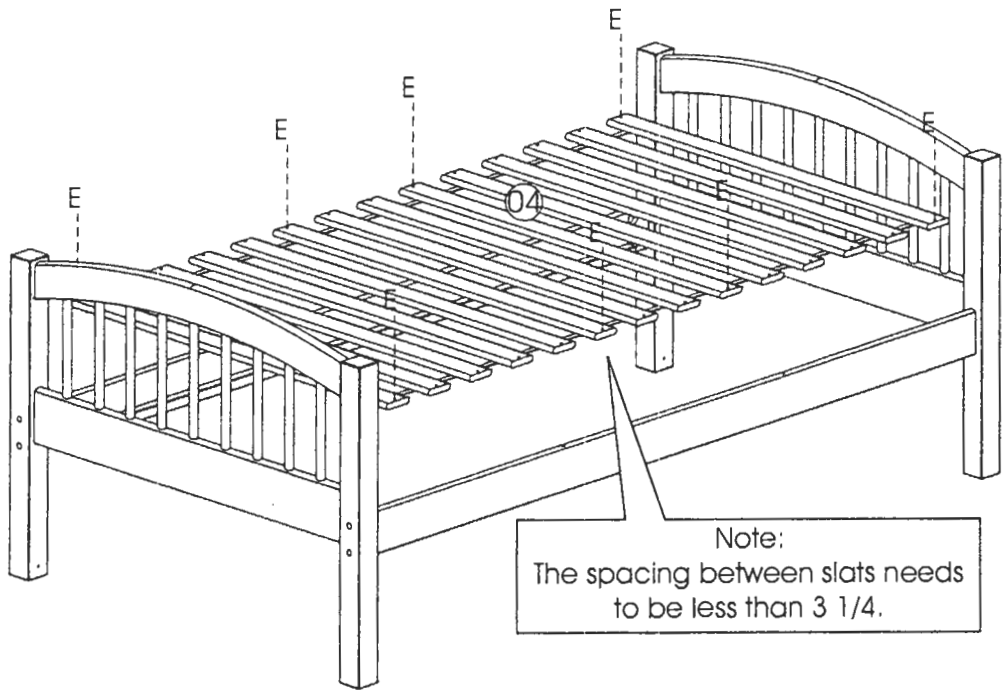
4



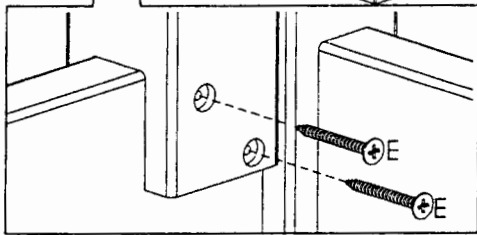
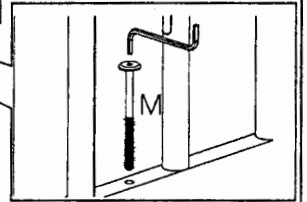
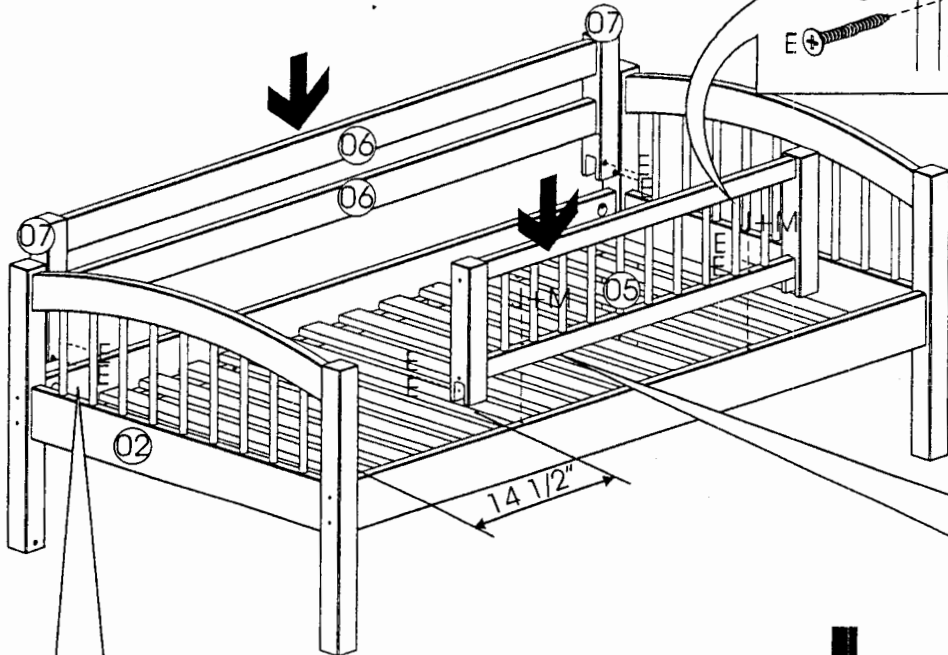
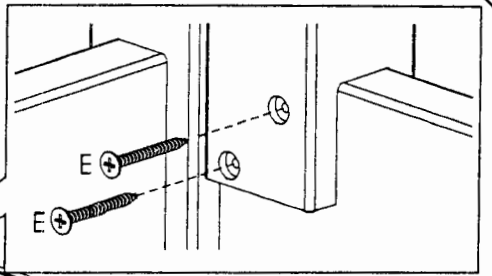
5



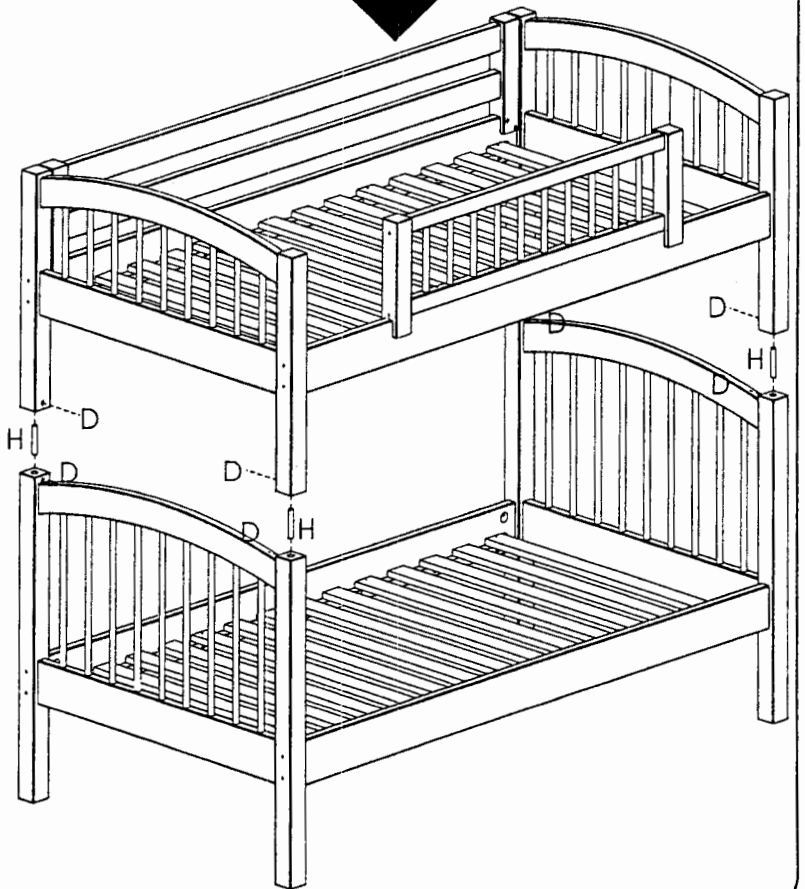
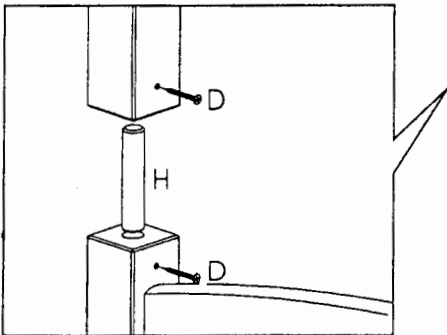
6



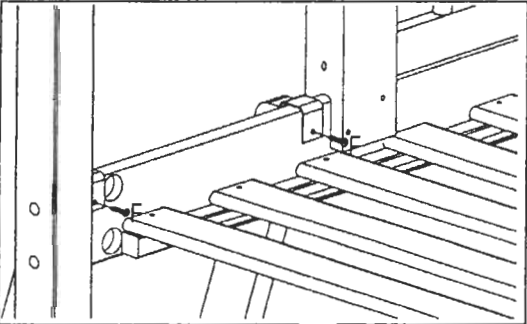
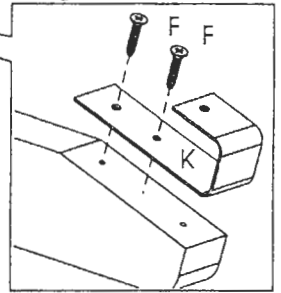
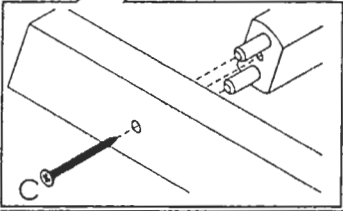
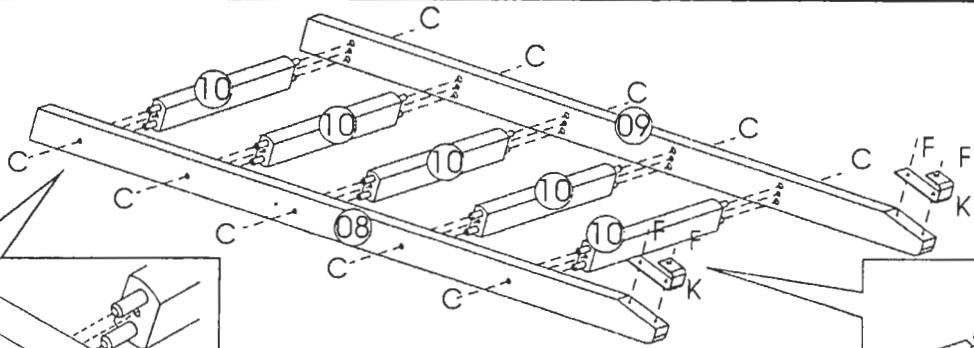
7



8



9

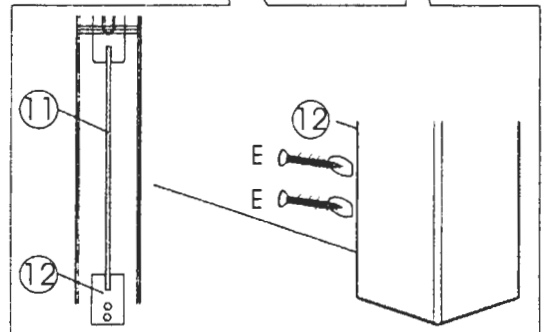


10



Optional Step

You may assembly the Optional Parts (11), (12).
See:



Down stack your Bunkbed:
Follow these instructions to convert your Bunkbed
into 2 twin sized Beds.

