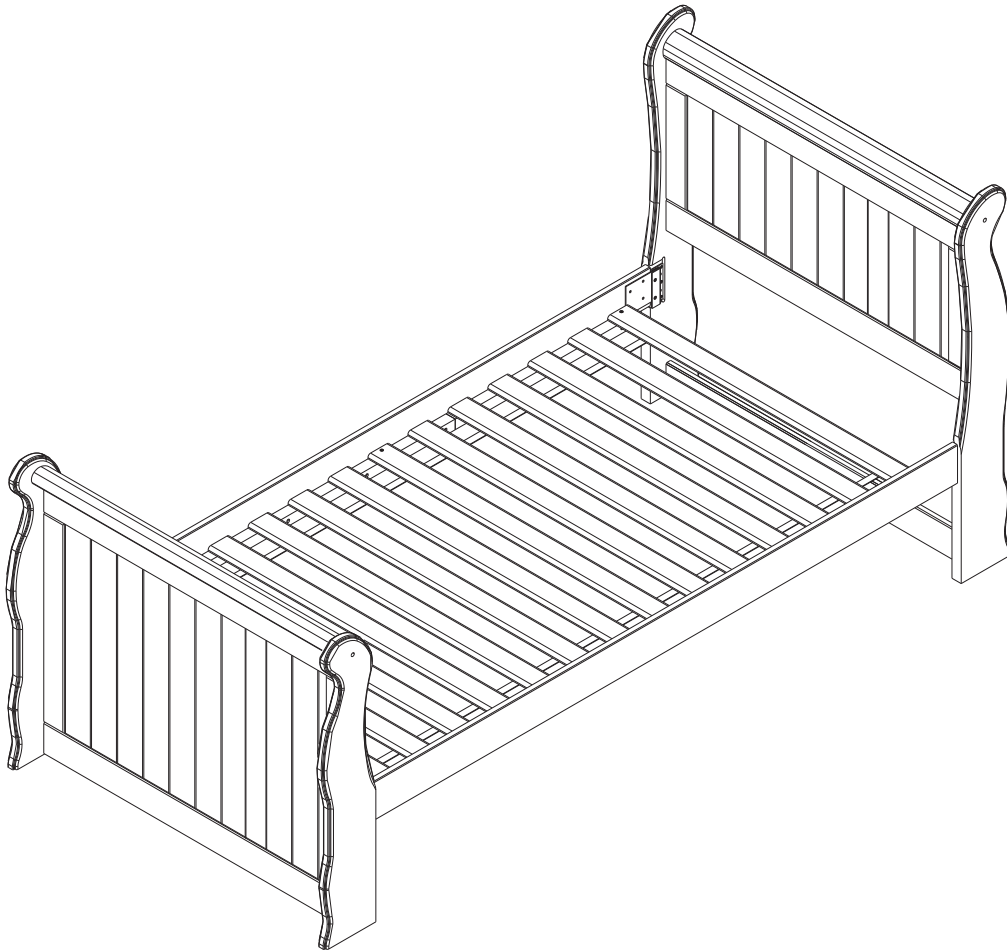
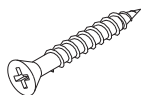


# SLEIGH BED TWIN



**A**



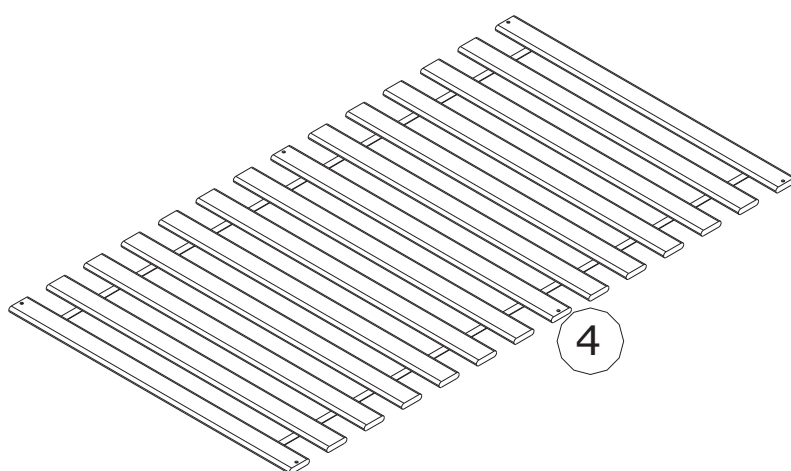
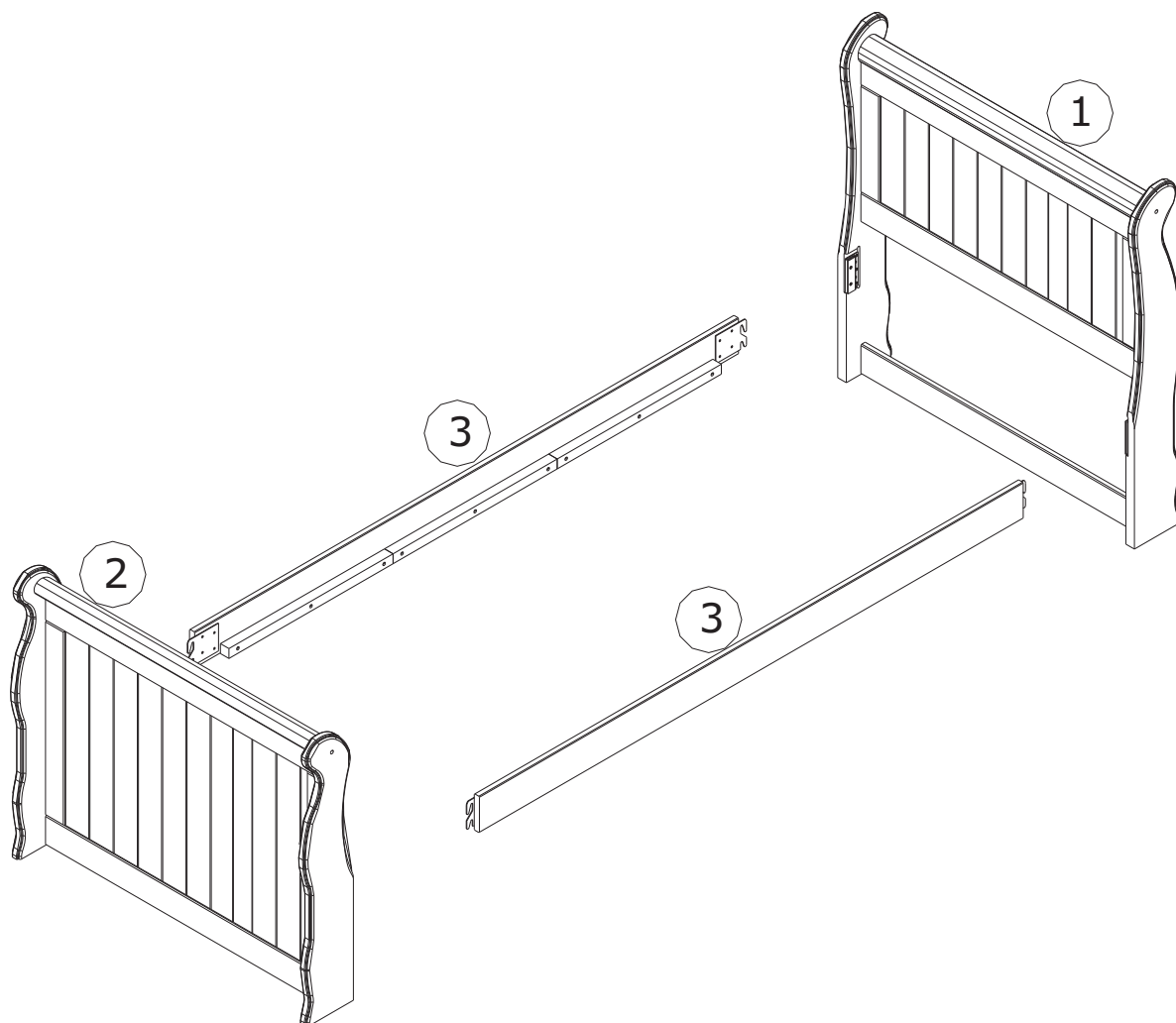
5/32" x 1 1/2"

**06**

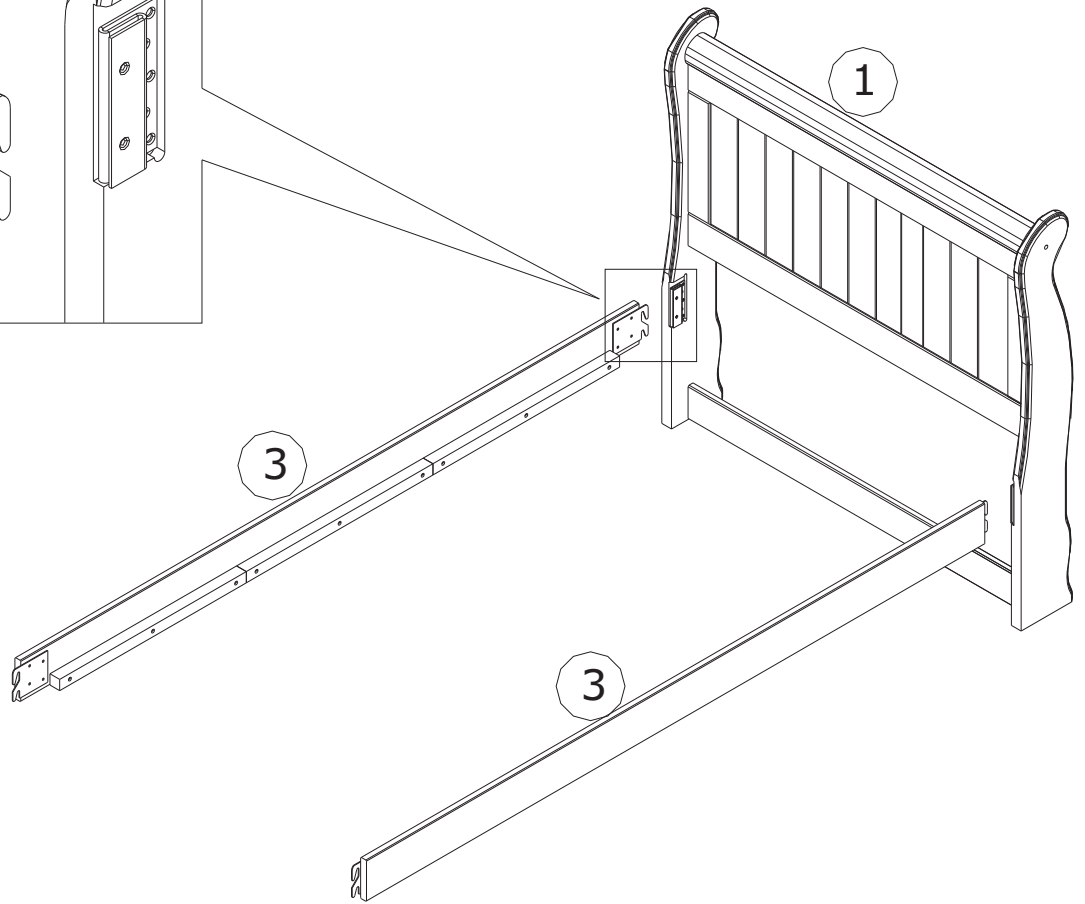
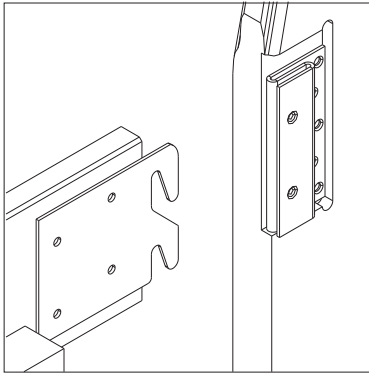
### Replacement Parts & Lifetime Warranty

Discovery World Furniture will replace any component part free of charge for 1 full year via UPS freight collect. In addition, Discovery World Furniture will replace any component part for 50% of the then prevailing retail price plus freight for the lifetime of the product, unless the product has been discontinued from our line. For service, mail your request to: Discovery World Furniture 915 Cornwall Rd, Sanford, FL 32773.

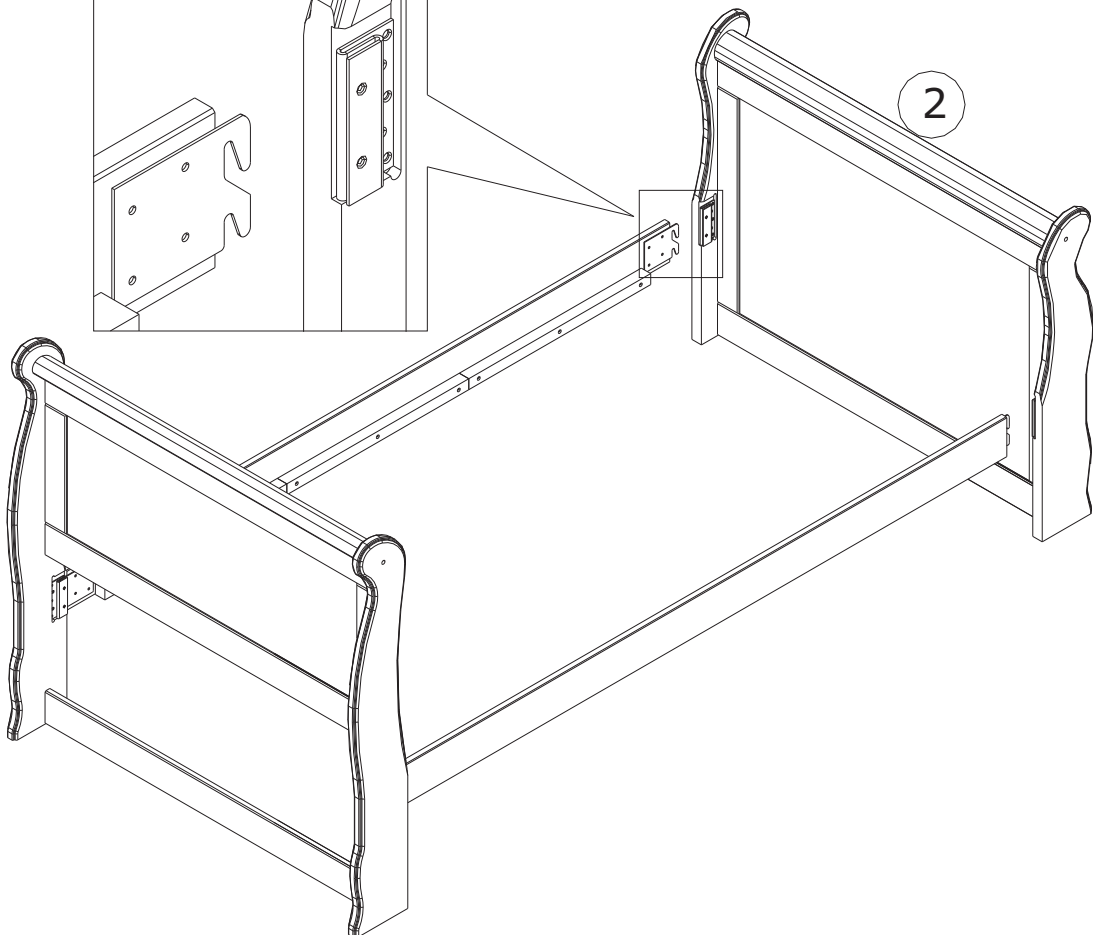
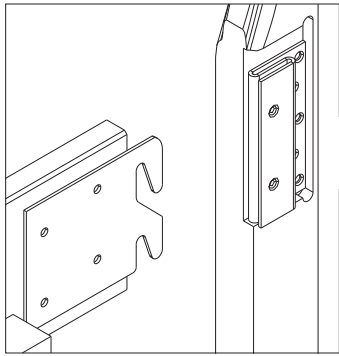
Website [www.discoveryworldfurniture.com](http://www.discoveryworldfurniture.com)



01



02



03

