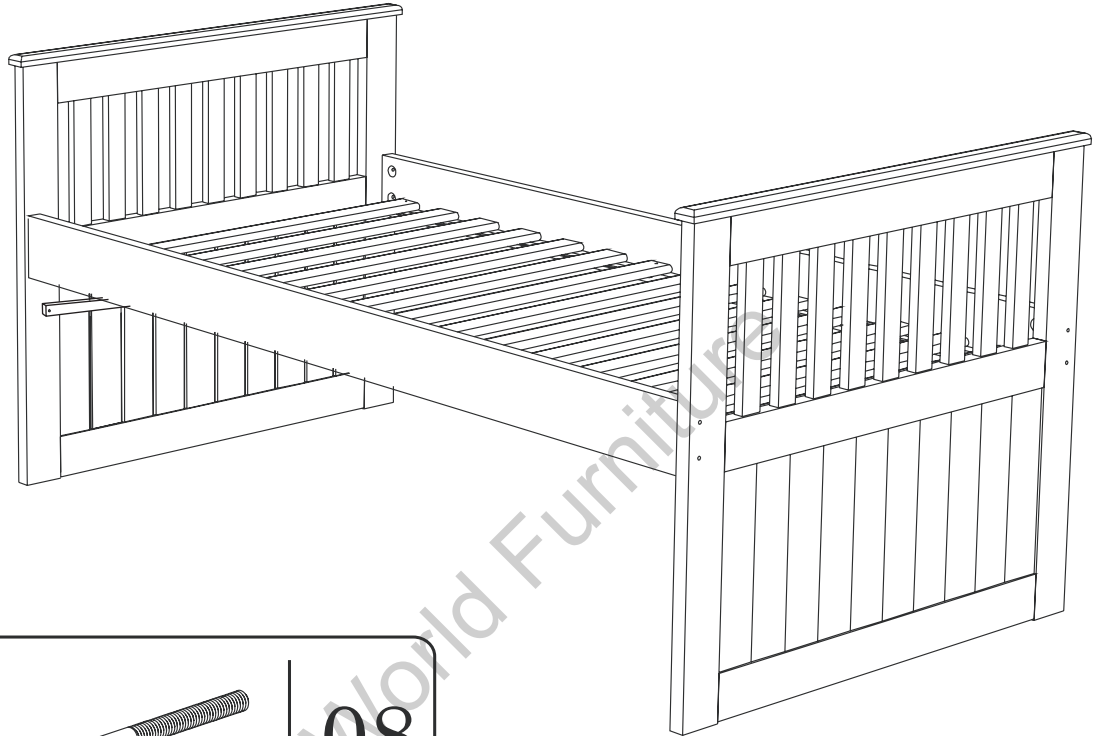
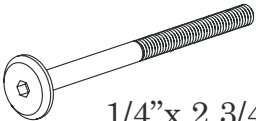

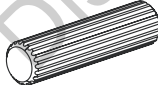

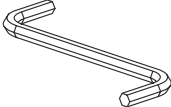




# 1035-2135-2835-7035 RAKE BED

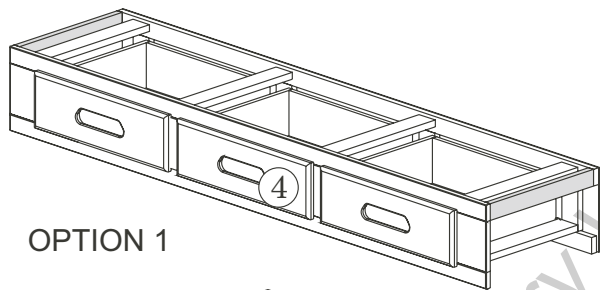
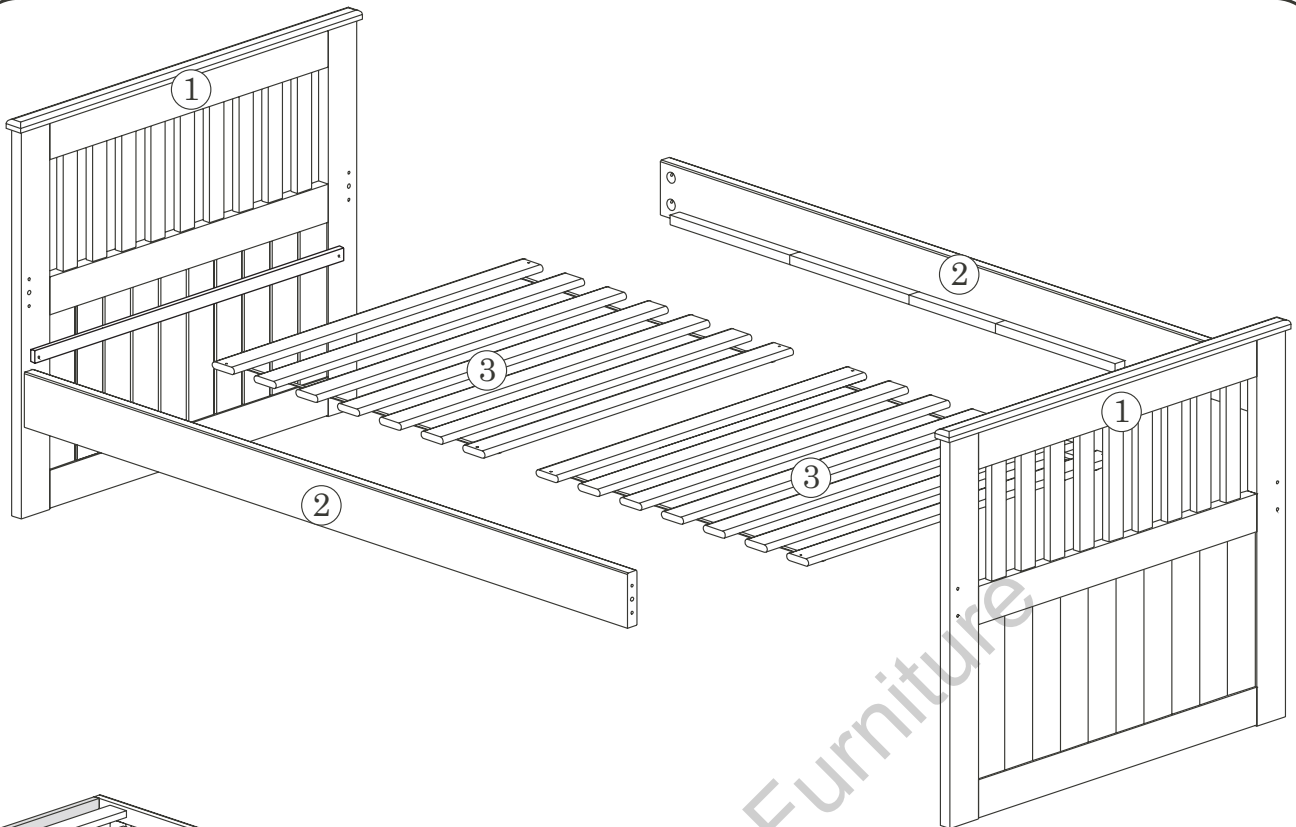


|   |  |    |
|---|--|----|
| A | <br>1/4" x 2 3/4" | 08 |
| B | <br>1 3/8"        | 08 |
| C | <br>2"            | 04 |
| D |                   | 08 |
| E |                   | 01 |

### Replacement Parts & Limited Lifetime Warranty

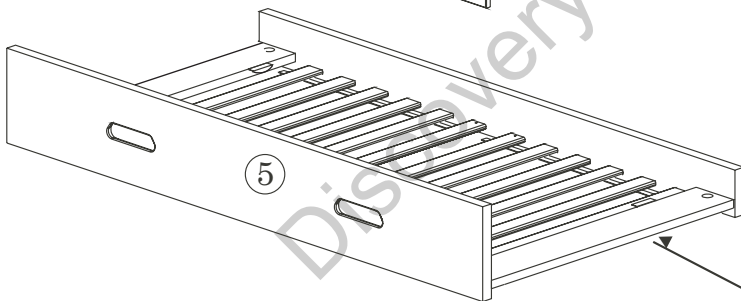
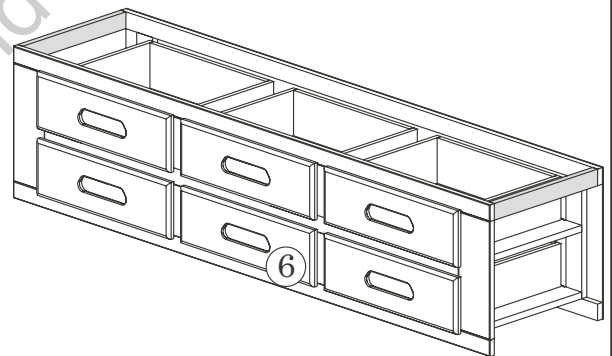
Discovery World Furniture will replace any component part free of charge for 1 full year via UPS freight collect. In addition, Discovery World Furniture will replace any component part for 50% of the then prevailing retail price plus freight for the lifetime of the product, unless the product has been discontinued from our line. For service, mail your request to: Discovery World Furniture 915 Cornwall Rd, Sanford, FL 32773.

Website [www.discoveryworldfurniture.com](http://www.discoveryworldfurniture.com)



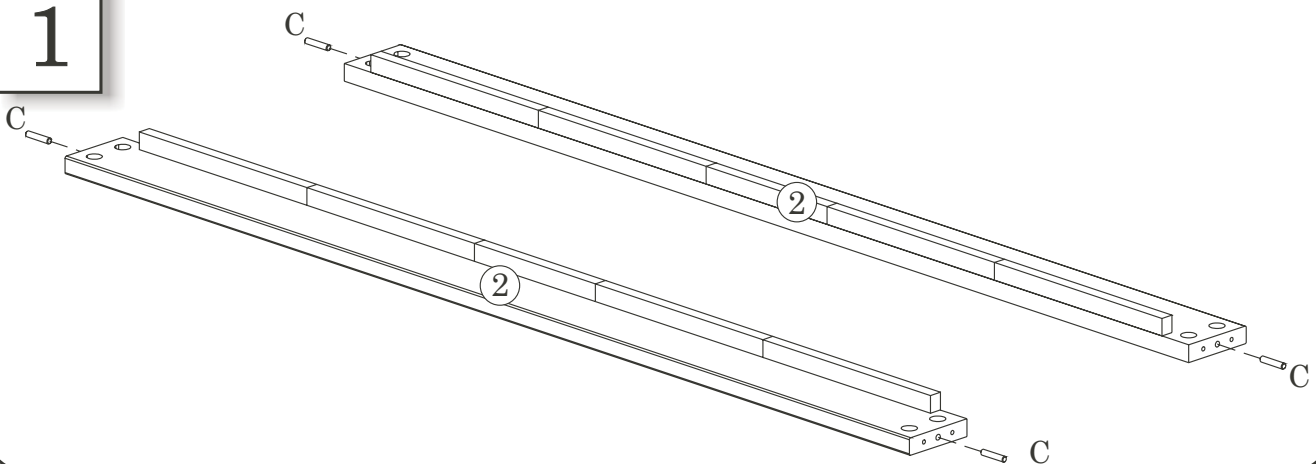
OPTION 1

OPTION 2

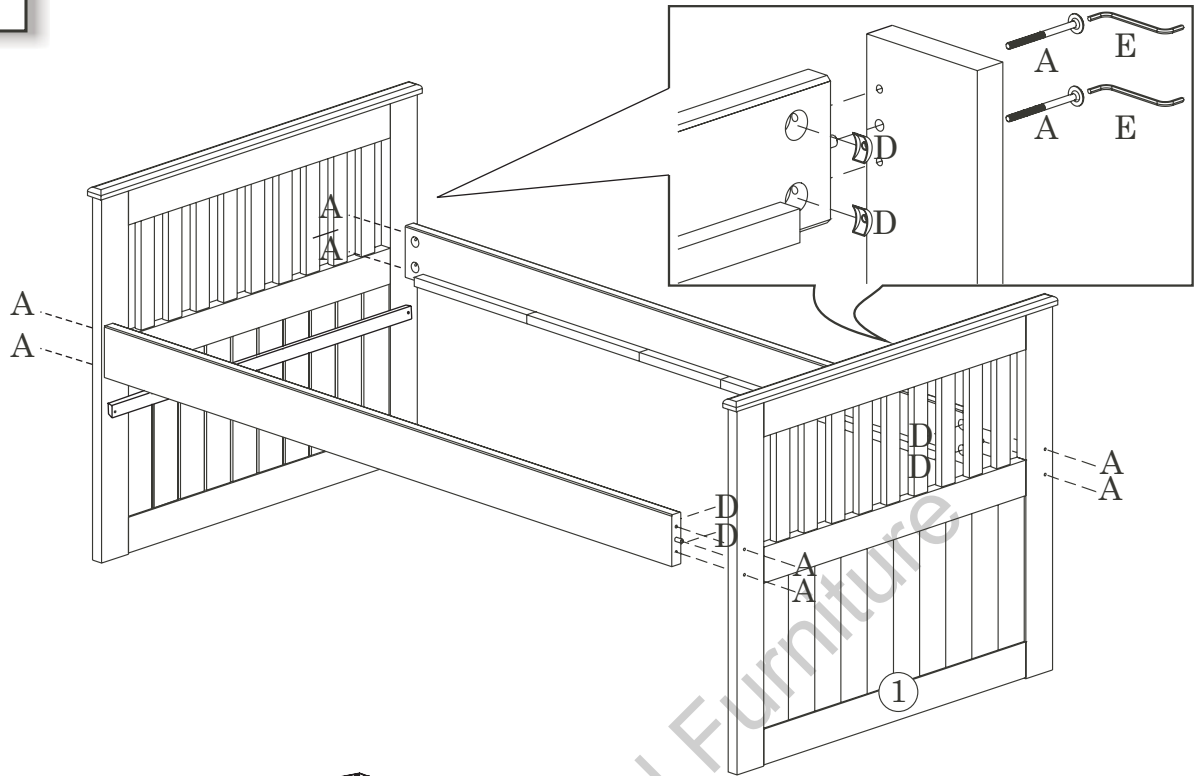


"Trundle Assembly Instructions  
in Trundle Box".

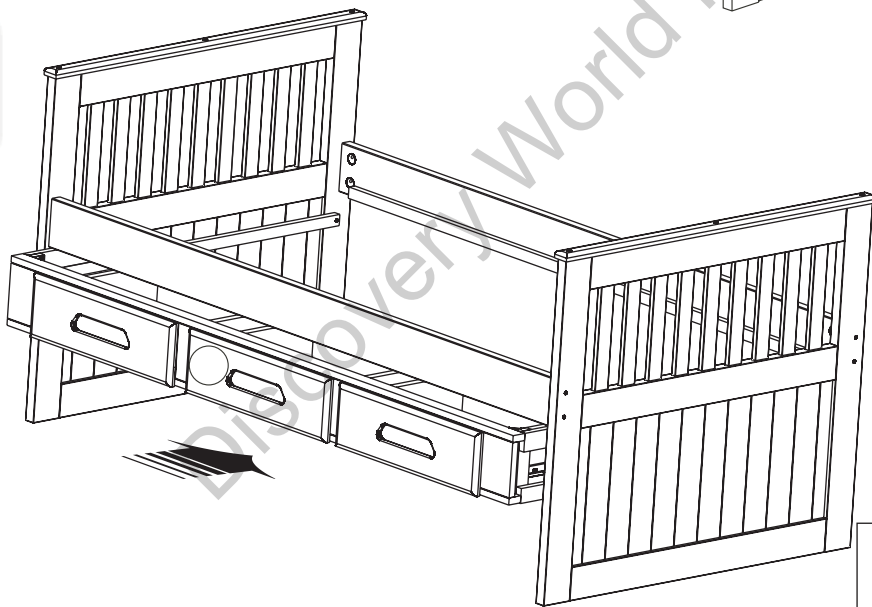
1



2

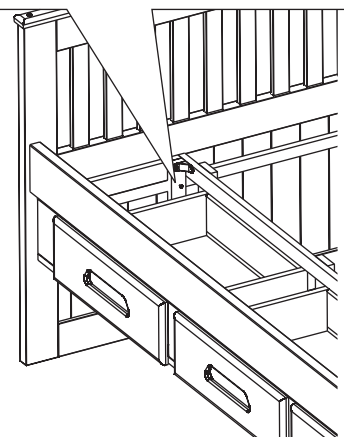


3

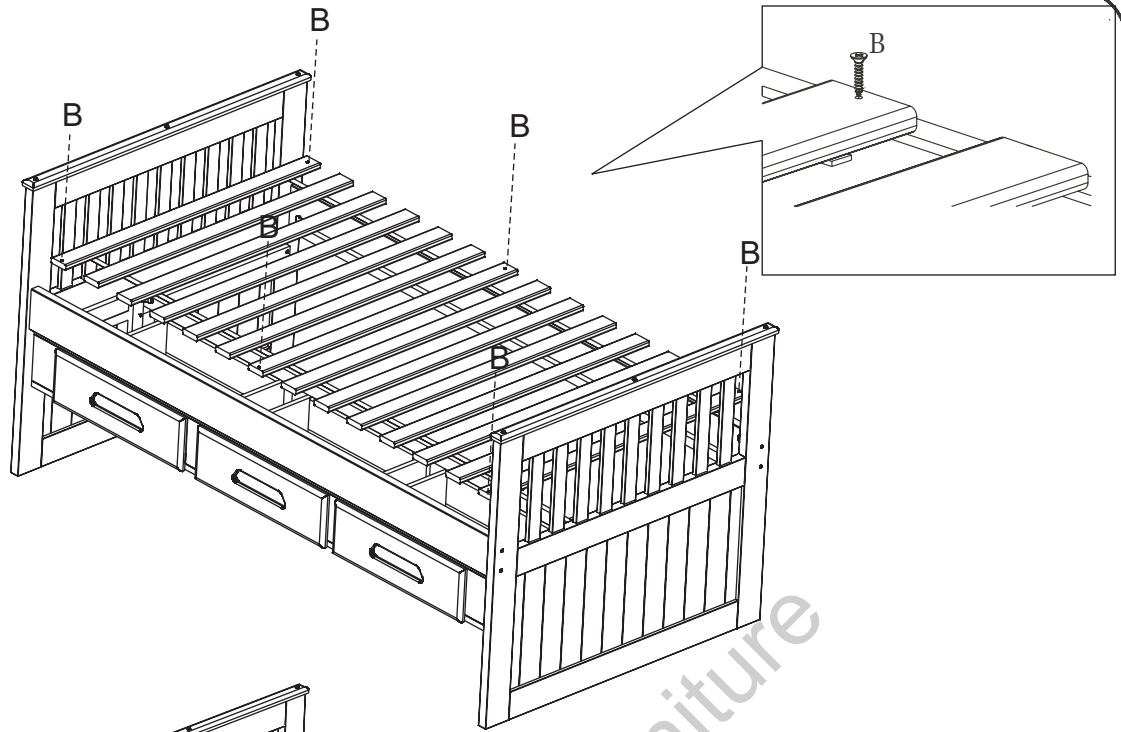


**Optional**

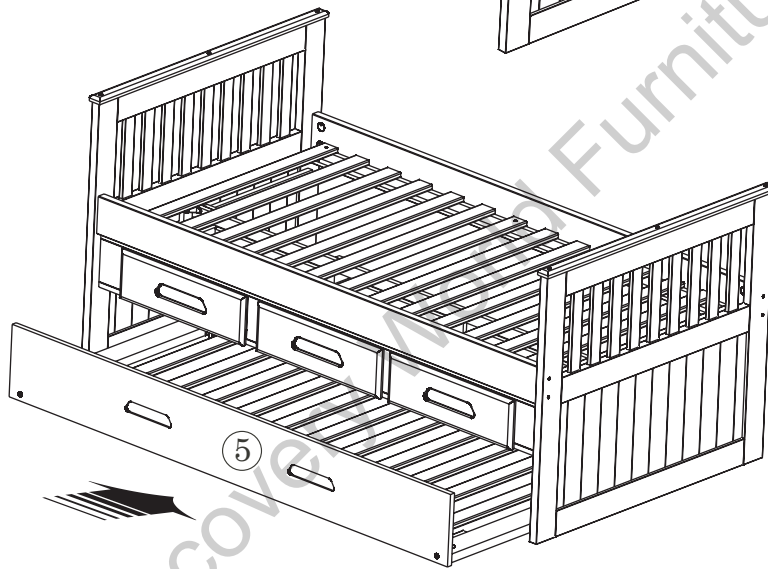
screw elevation unit  
into the elevation stick



4



5



OPTION 2

