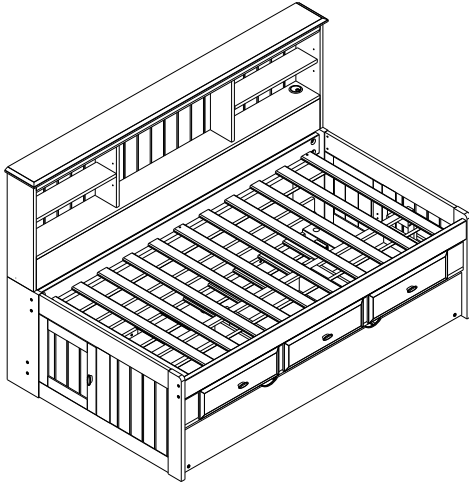
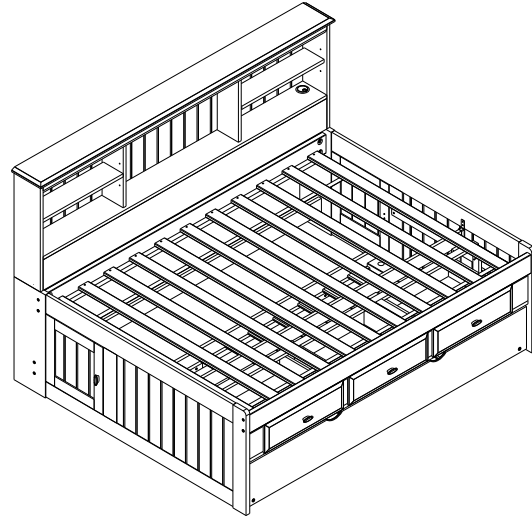



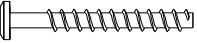


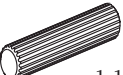




3222 (Twin) Charcoal

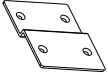
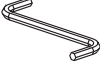

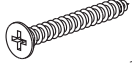



3223 (Full) Charcoal



A	 1/4" x 2 3/4"	08
B	 2 1/2"	04
C	 1/2"	12
D	 1 1/2" x 8mm	06
E	 1 1/2" x 10mm	06

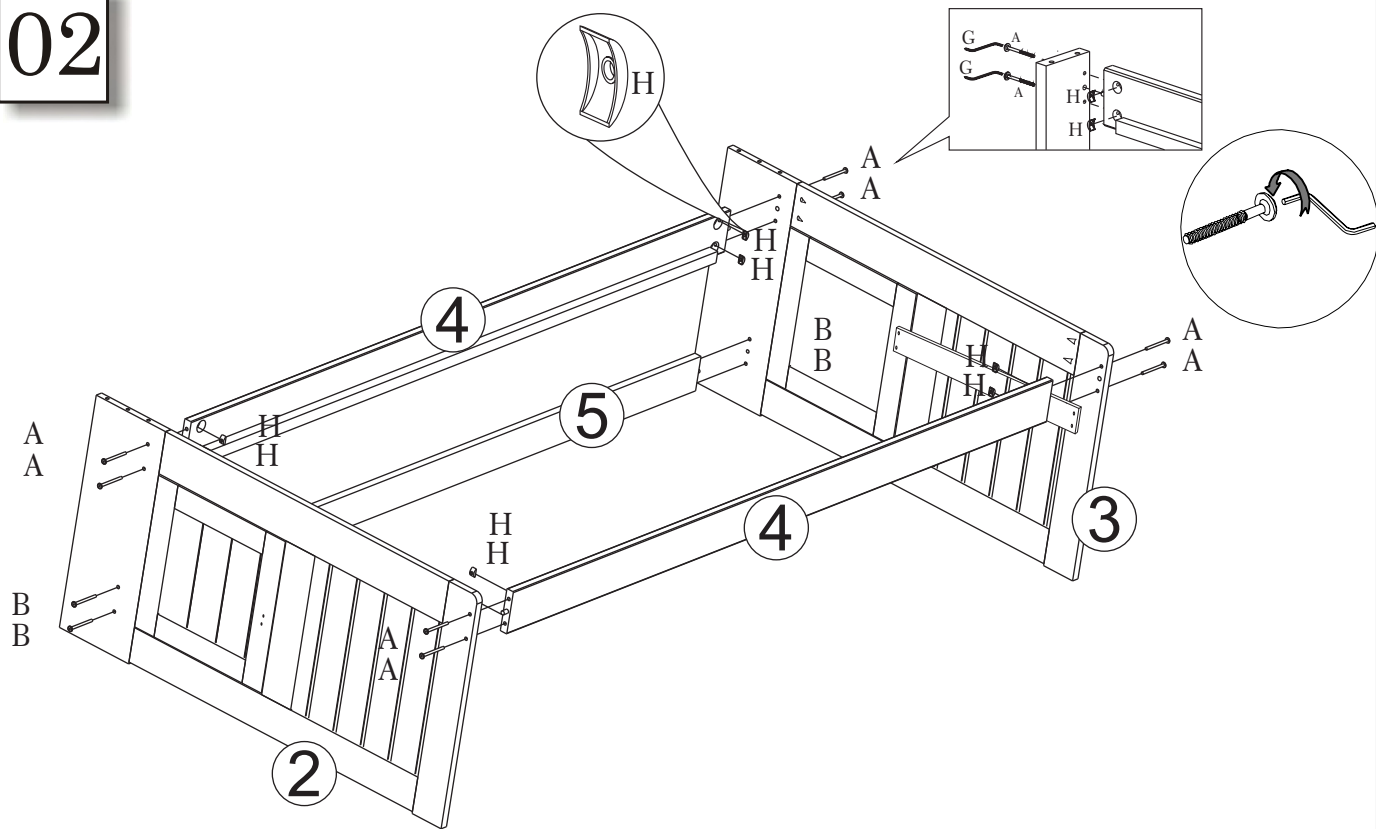
<u>Tools required</u>		
Allen wrench (Included) Screw driver (not included)		
K		02
L		04

F		02
G		01
H		08
I	 1 1/4"	06
J		08

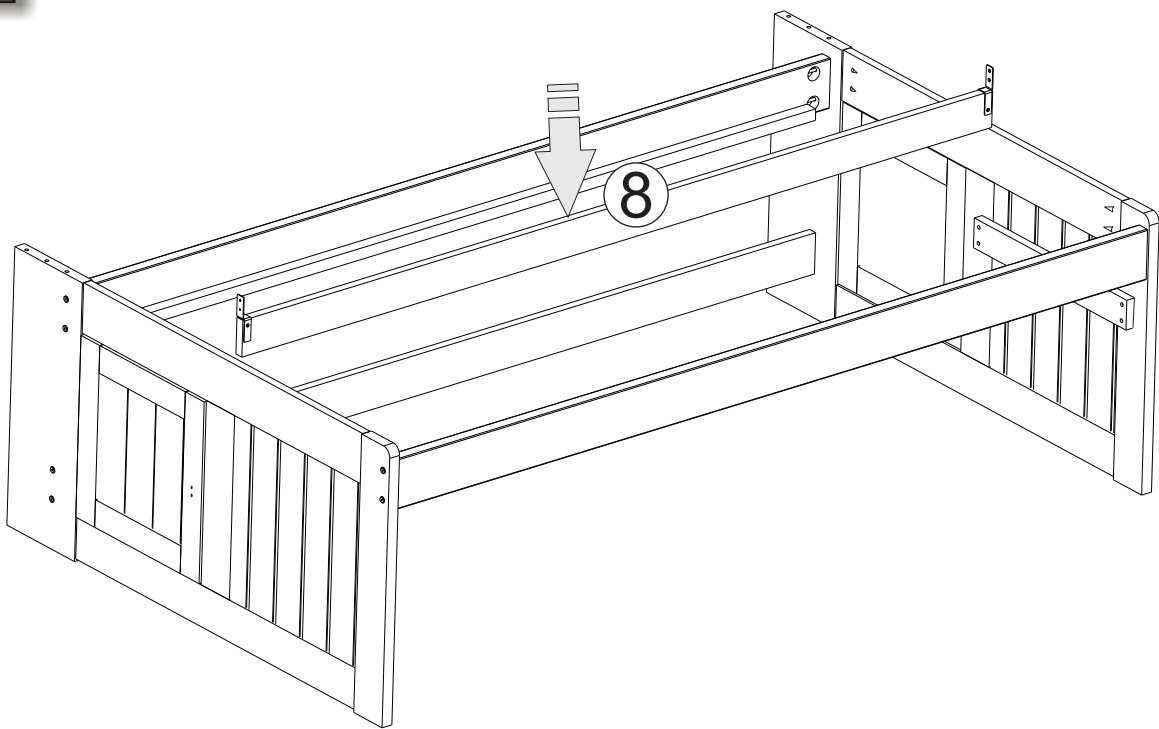
Replacement Parts & Limited Lifetime Warranty

Discovery World Furniture will replace any component part free of charge for 1 full year via UPS freight collect. In addition, Discovery World Furniture will replace any component part for 50% of the then prevailing retail price plus freight for the lifetime of the product, unless the product has been discontinued from our line. For service, mail your request to: Discovery World Furniture 915 Cornwall Rd, Sanford, FL 32773.
Website www.discoveryworldfurniture.com

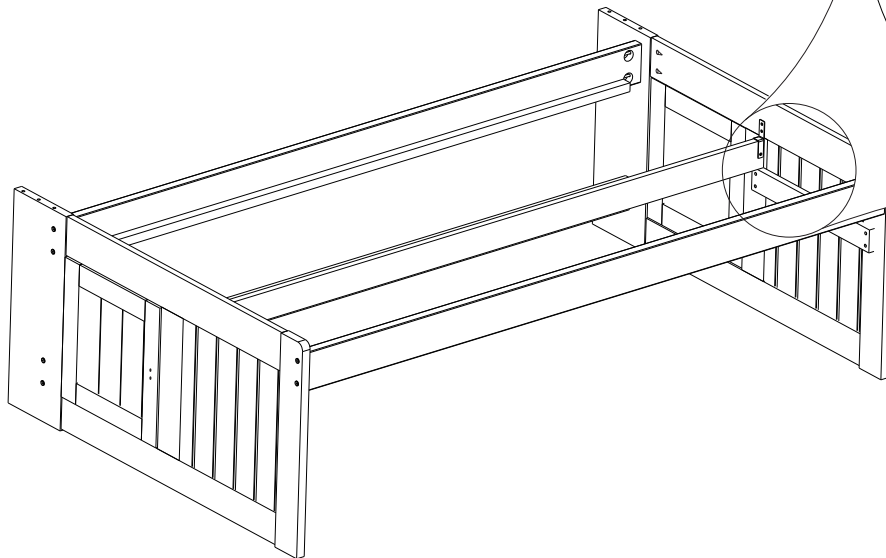
02



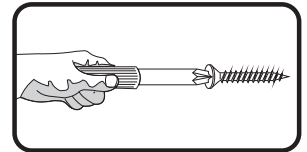
03



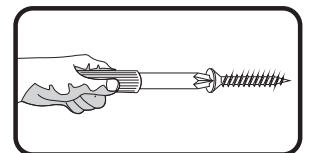
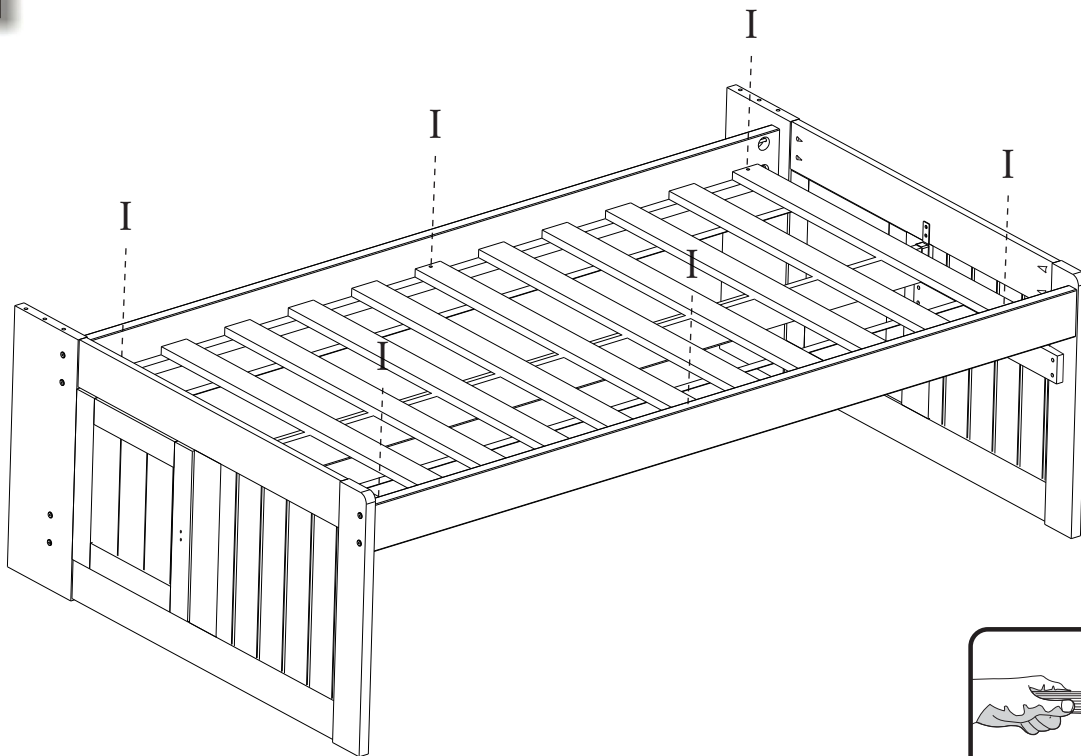
04



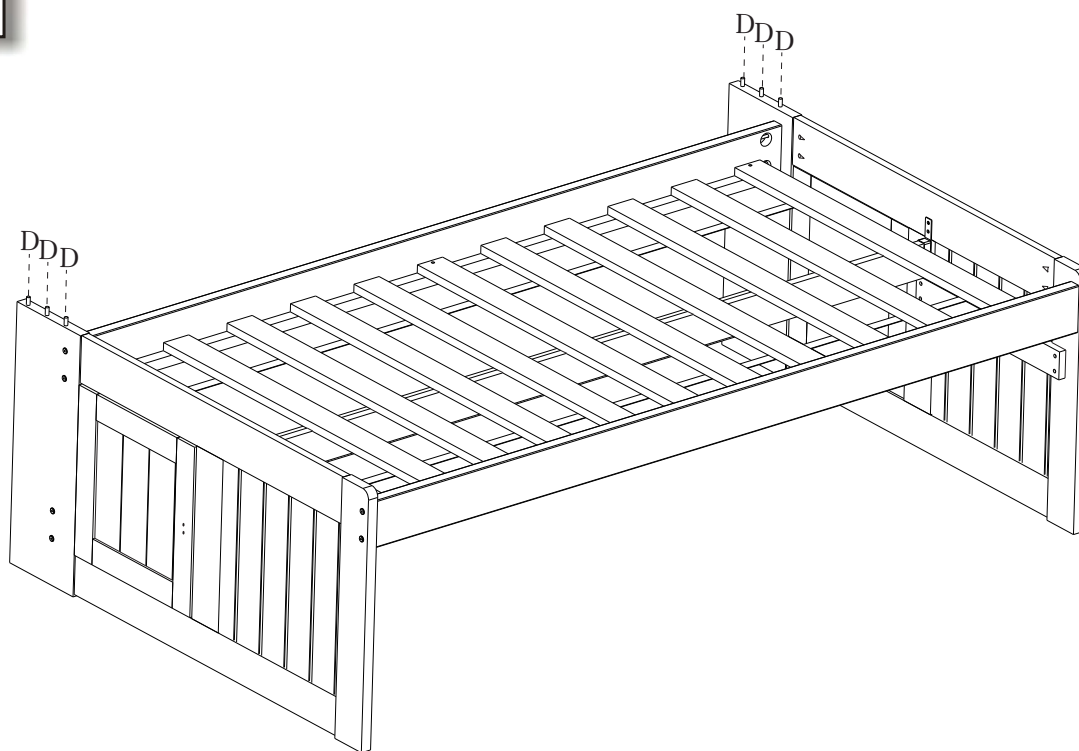
Repeat on both sides



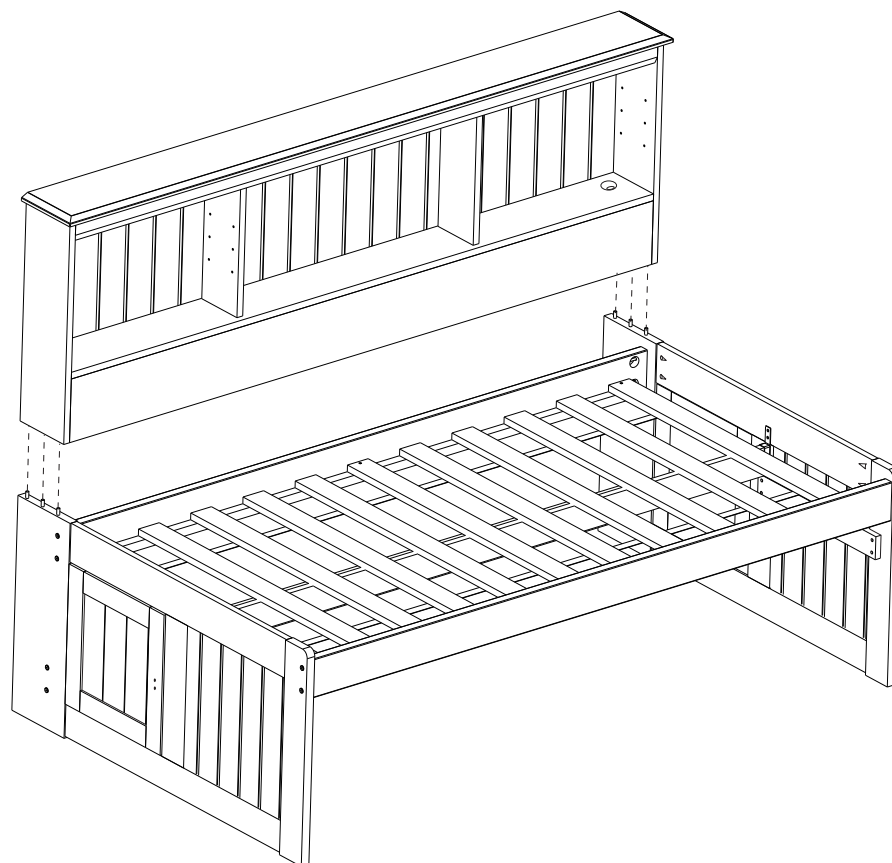
05



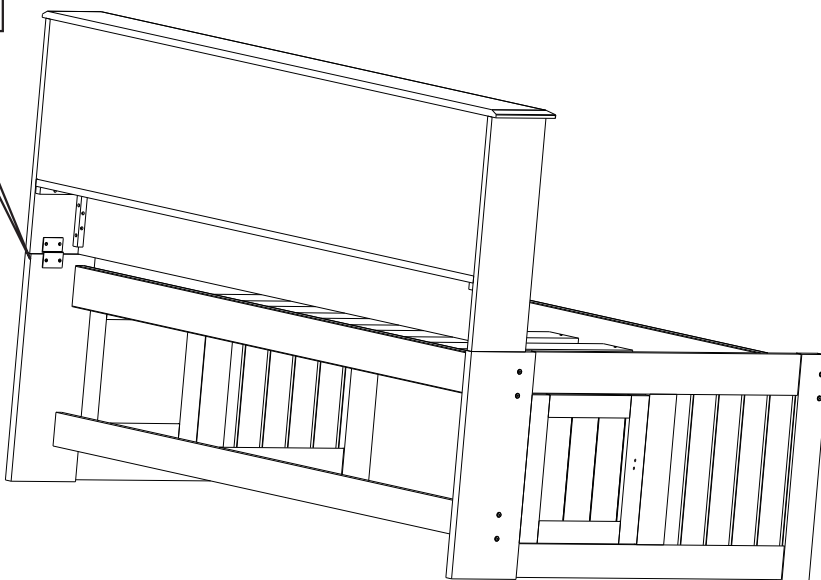
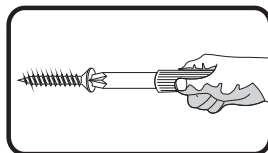
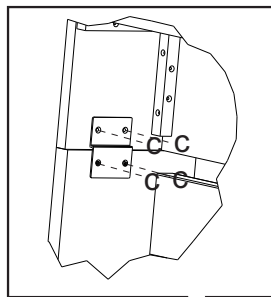
06



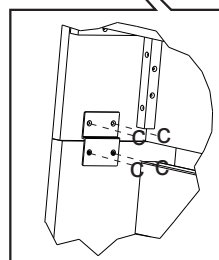
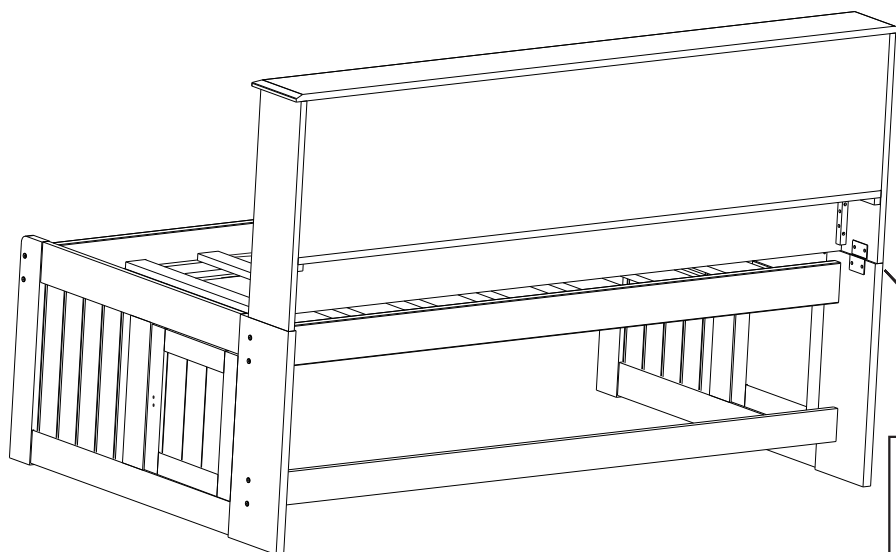
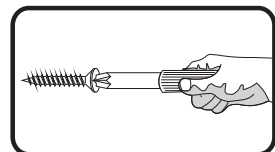
07



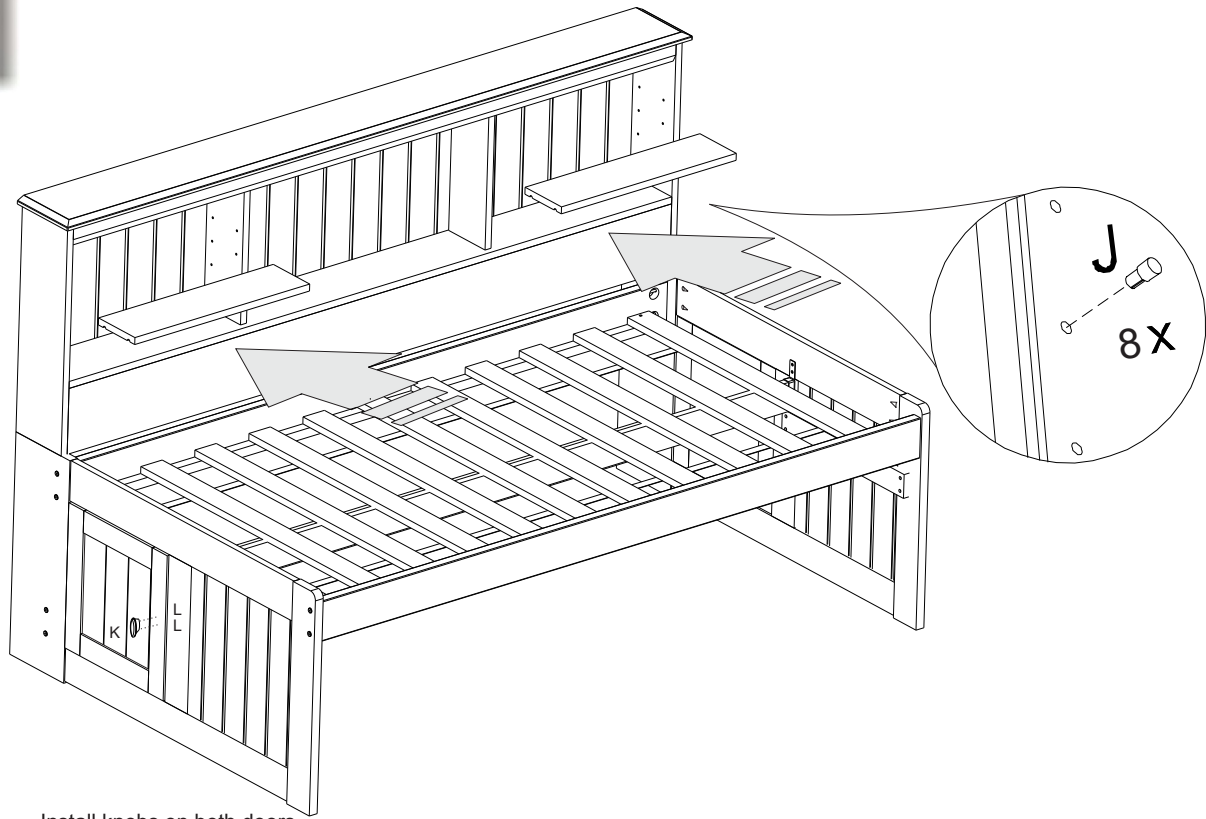
08



09

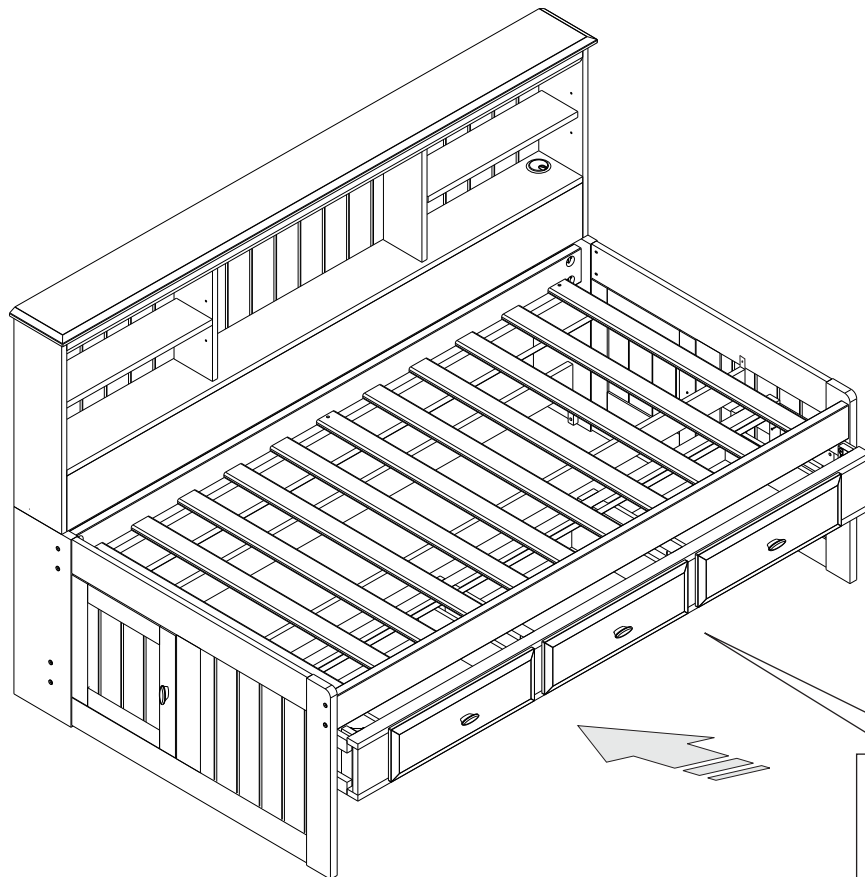


10



Install knobs on both doors

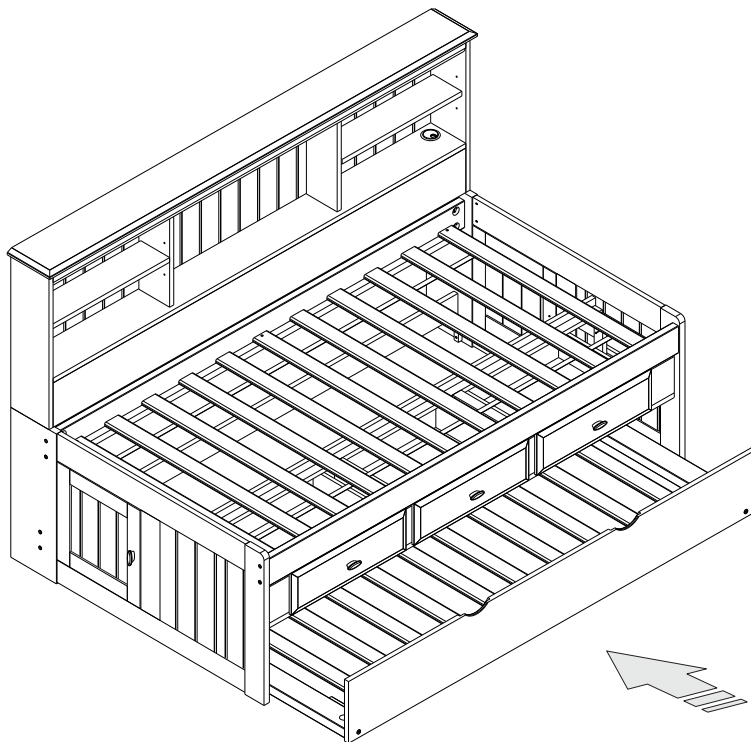
11



Optional 3Drawer Elevation Unit

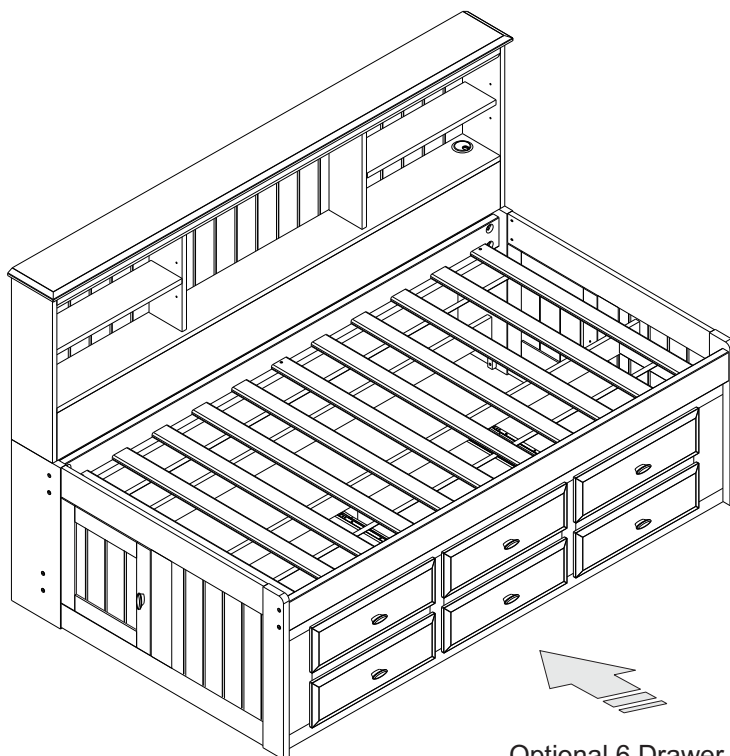
Simply slide the Drawer unit on the elevation Stick

12



Optional Trundle

13



Optional 6 Drawer Unit