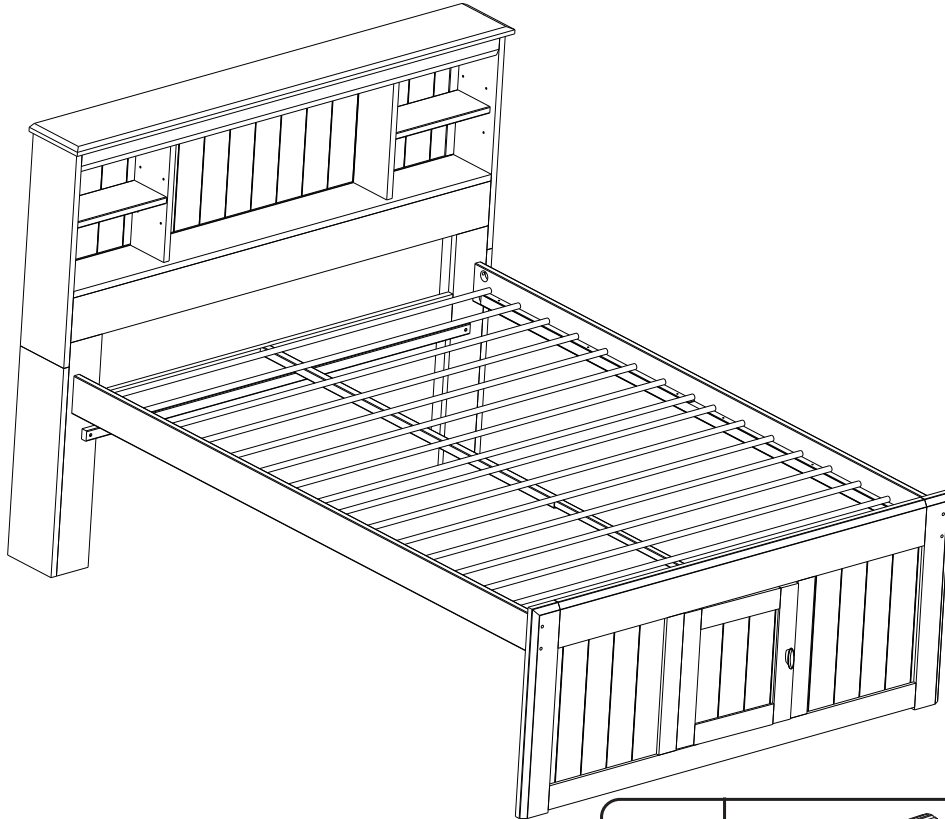
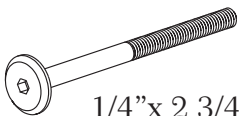
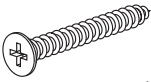


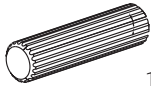
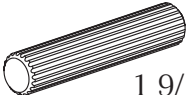
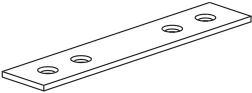
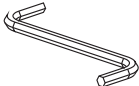
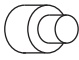
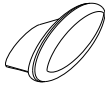





# 3221 Bookcase Captain's Bed Full



A	 1/4" x 2 3/4"	08
B	 1 5/16"	02
C	 5/8"	08
D		08
E	 1 9/16"	10

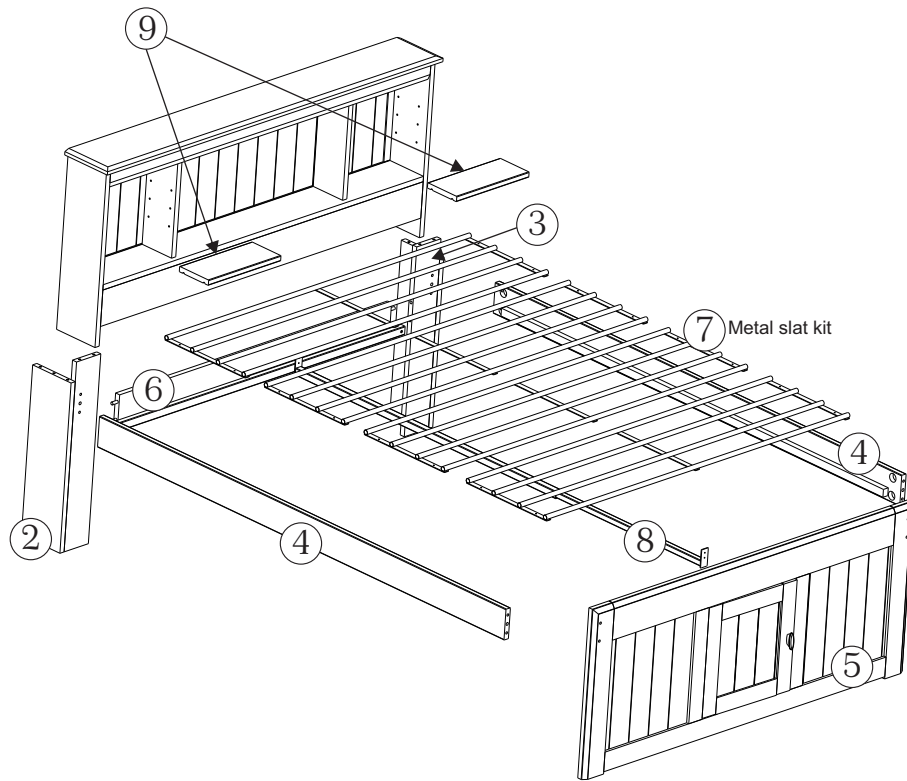
F	 1 9/16"	04
G		02
H		01
I		08
J		01
K		02

### WARRANTY

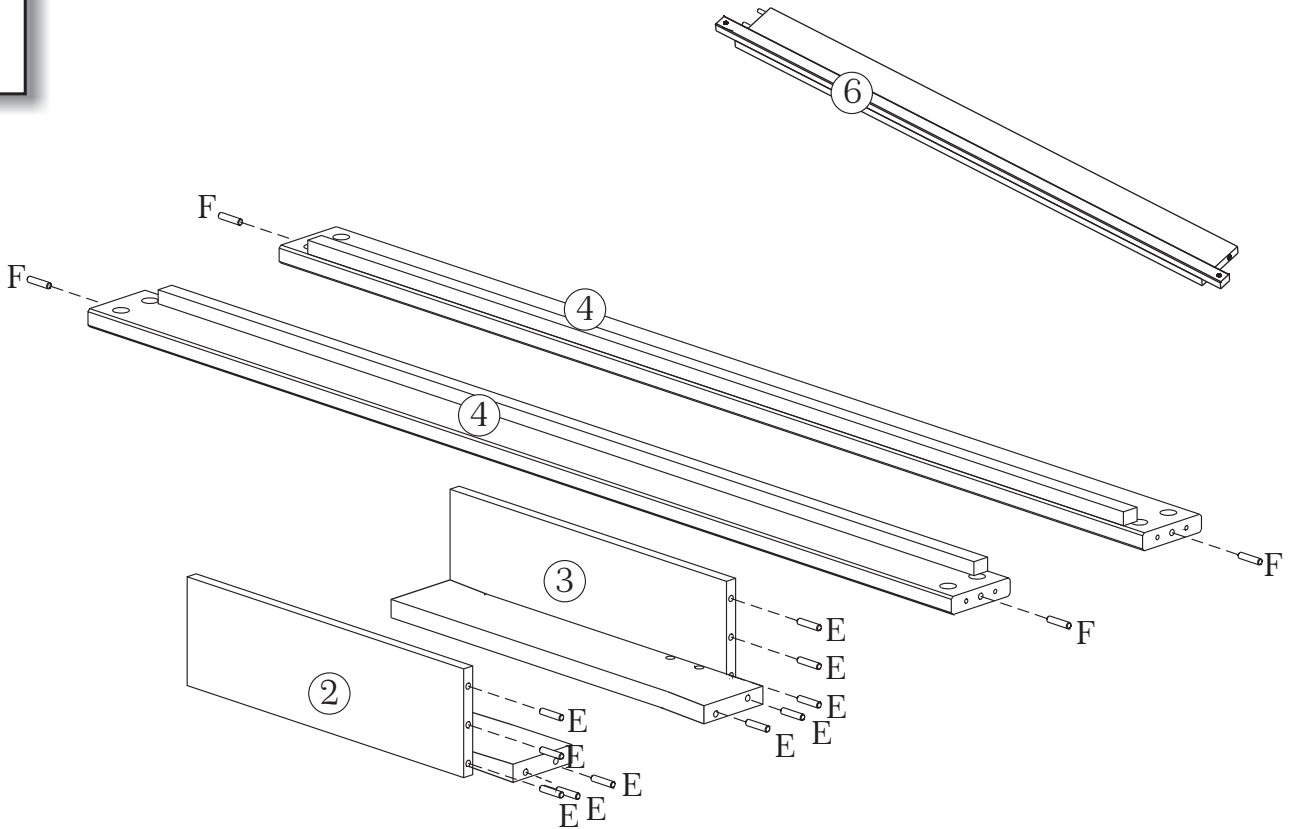
#### Replacement Parts & Limited Lifetime Warranty

Discovery World Furniture will replace any component part free of charge for 1 full year via UPS freight collect. In addition, Discovery World Furniture will replace any component part for 50% of the then prevailing retail price plus freight for the lifetime of the product. For service, mail your request to:

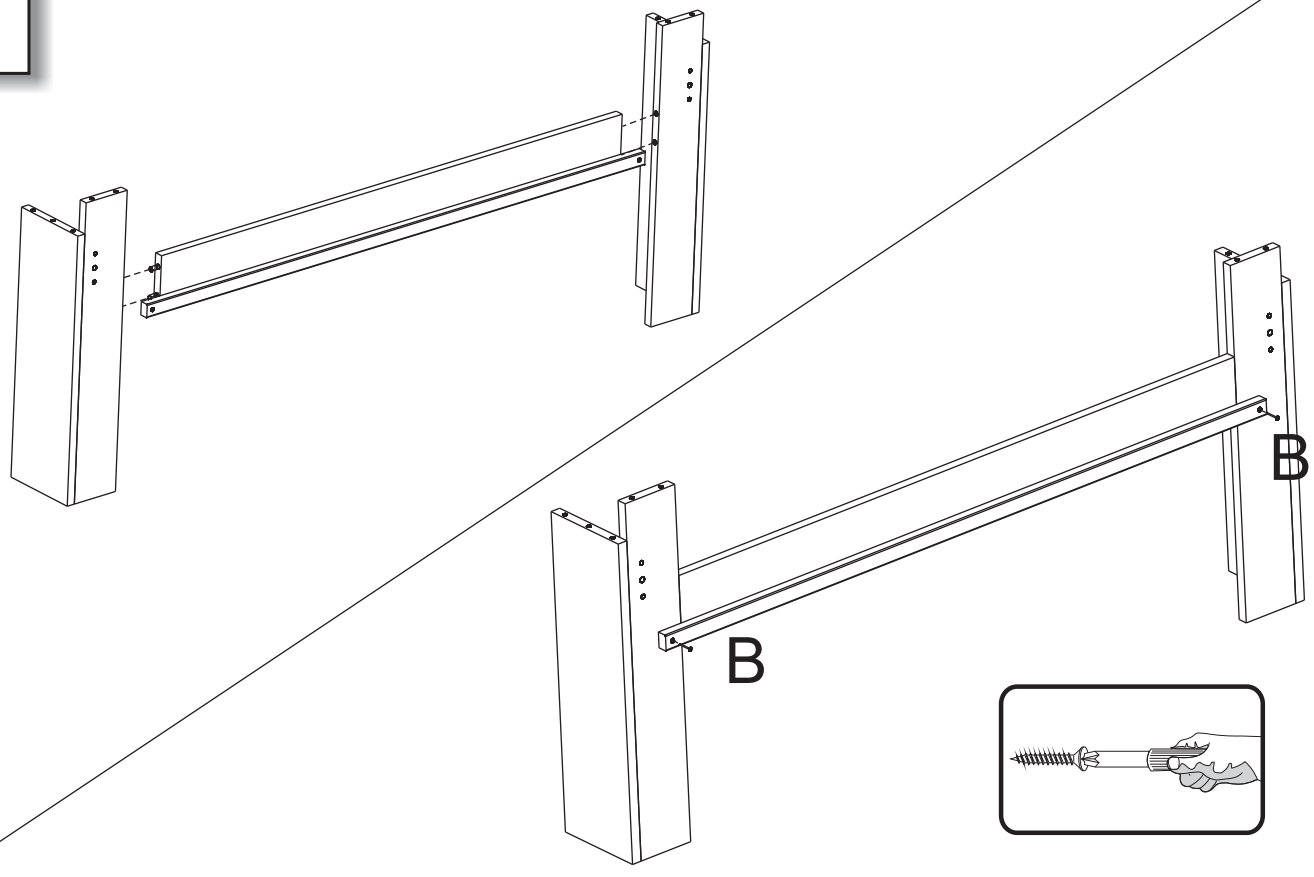
Discovery World Furniture 915 Cornwall Rd, Sanford, FL 32773



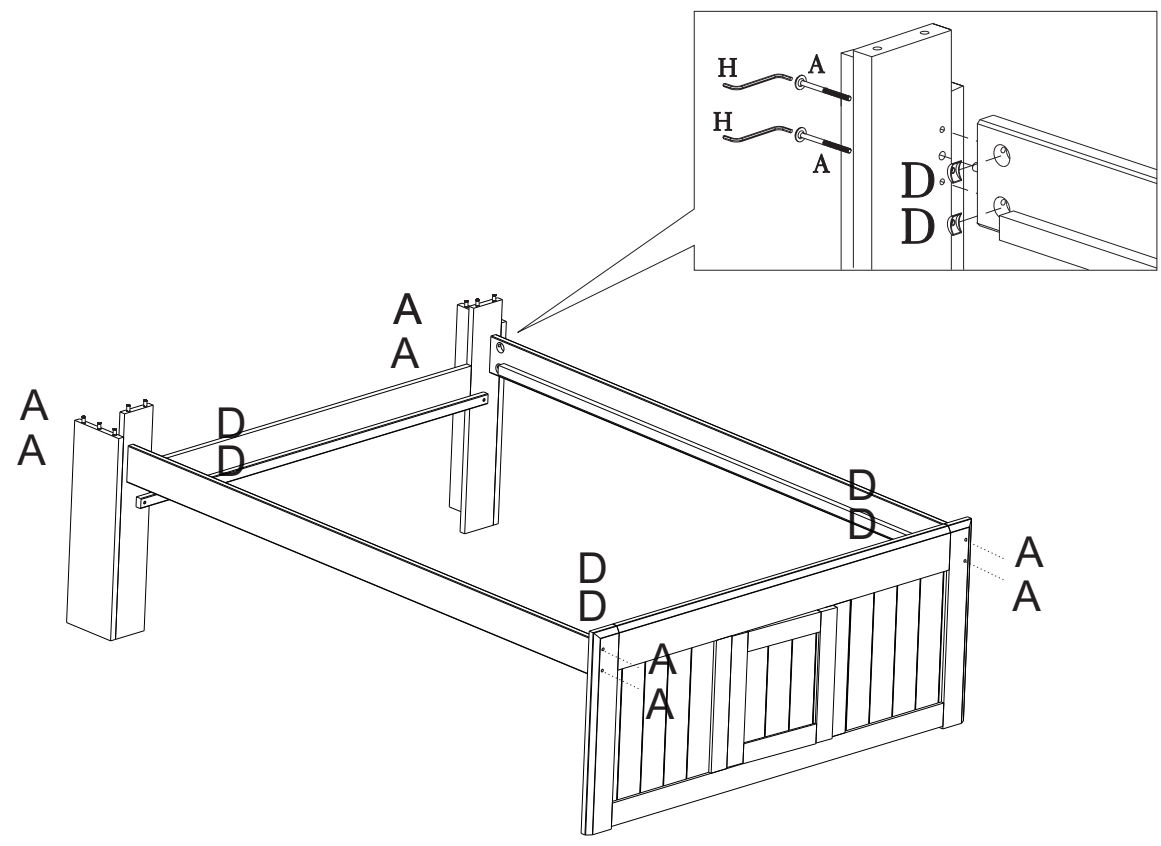
1



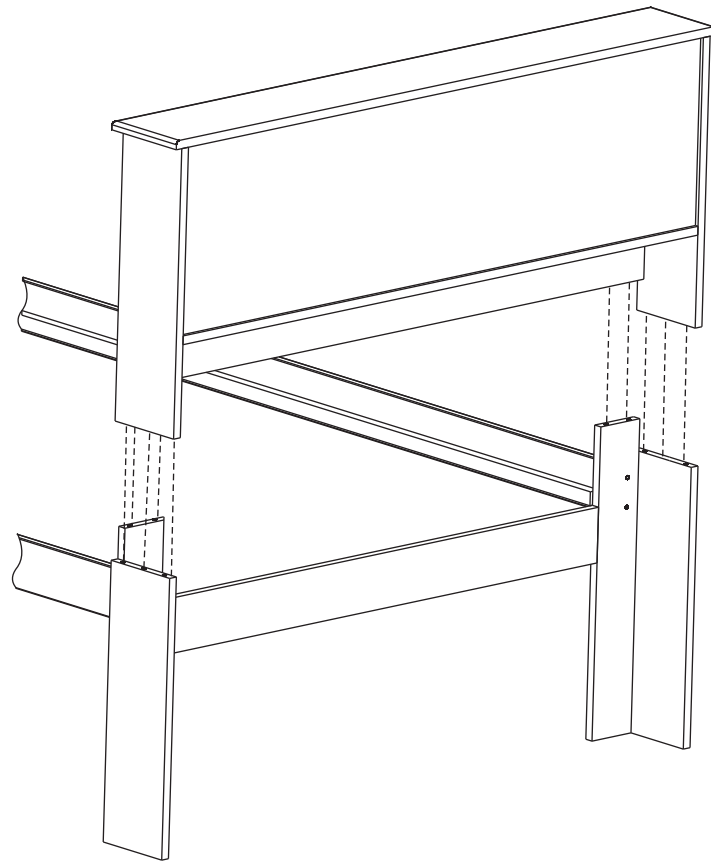
2



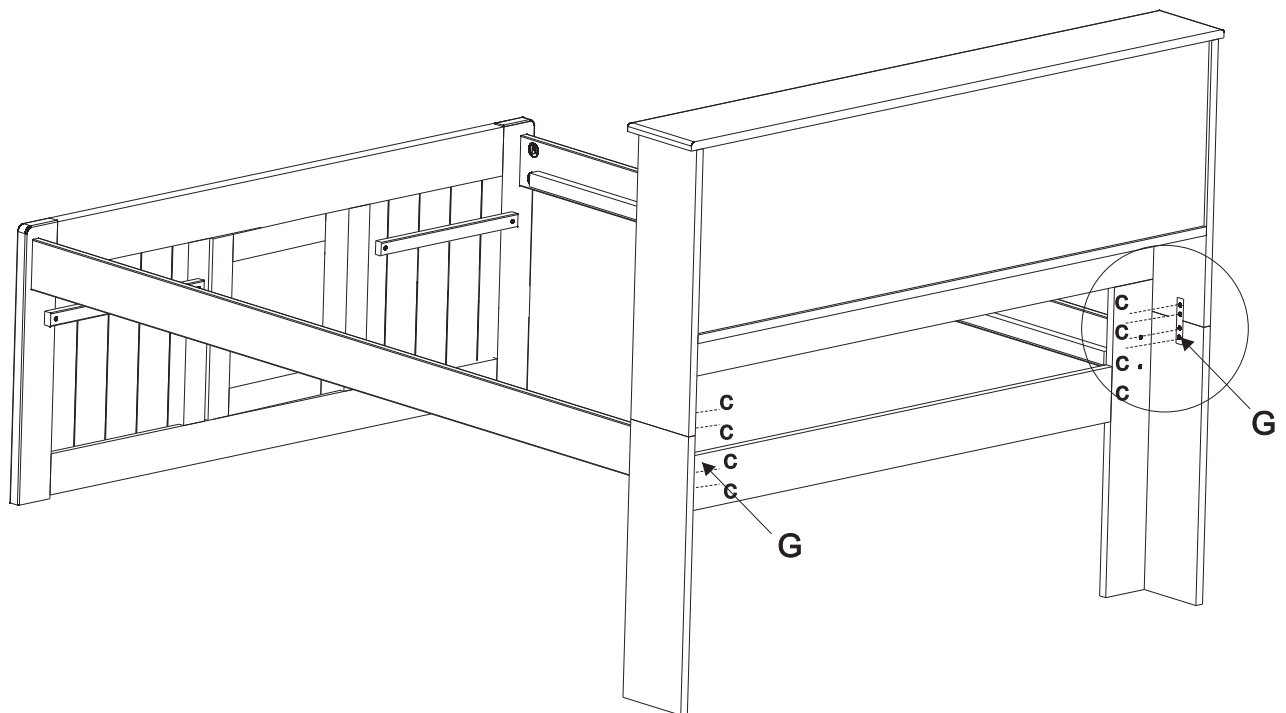
3



4



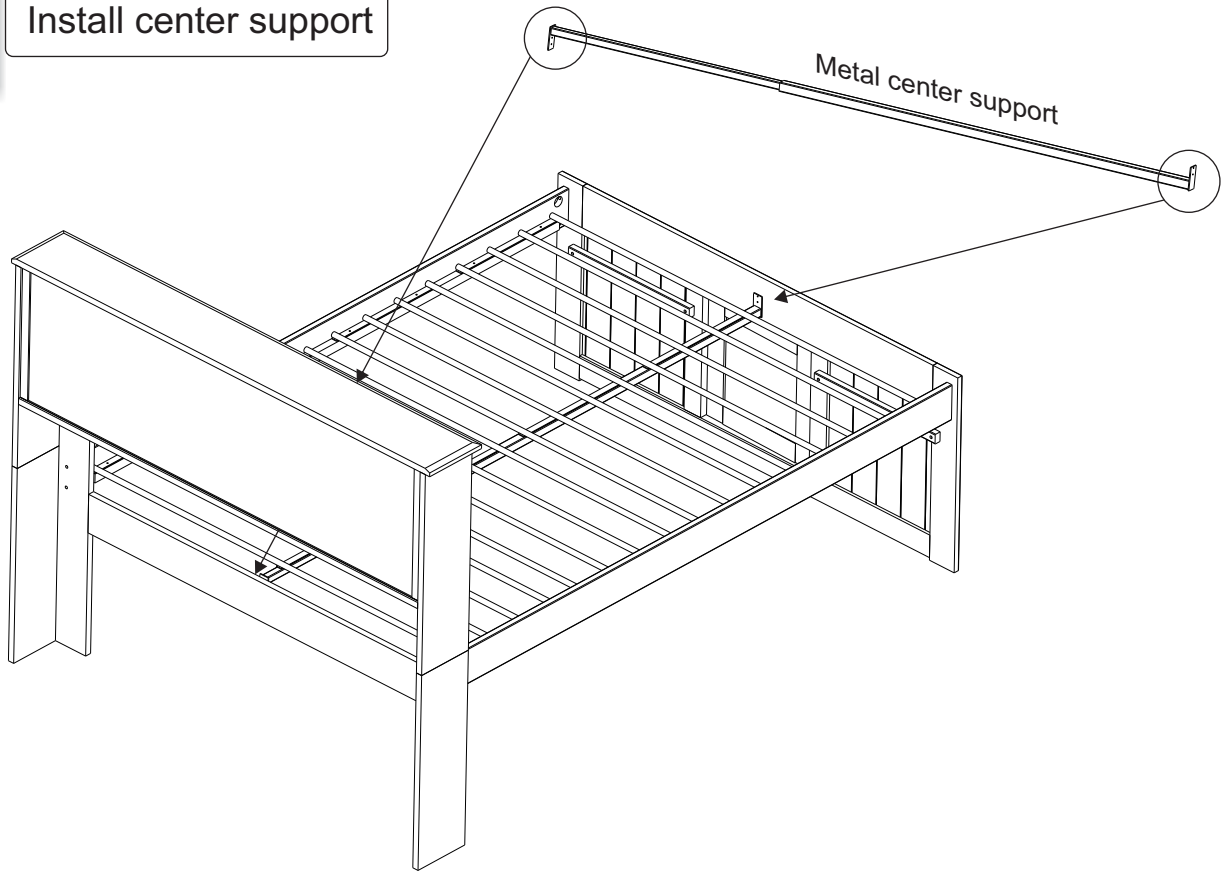
5



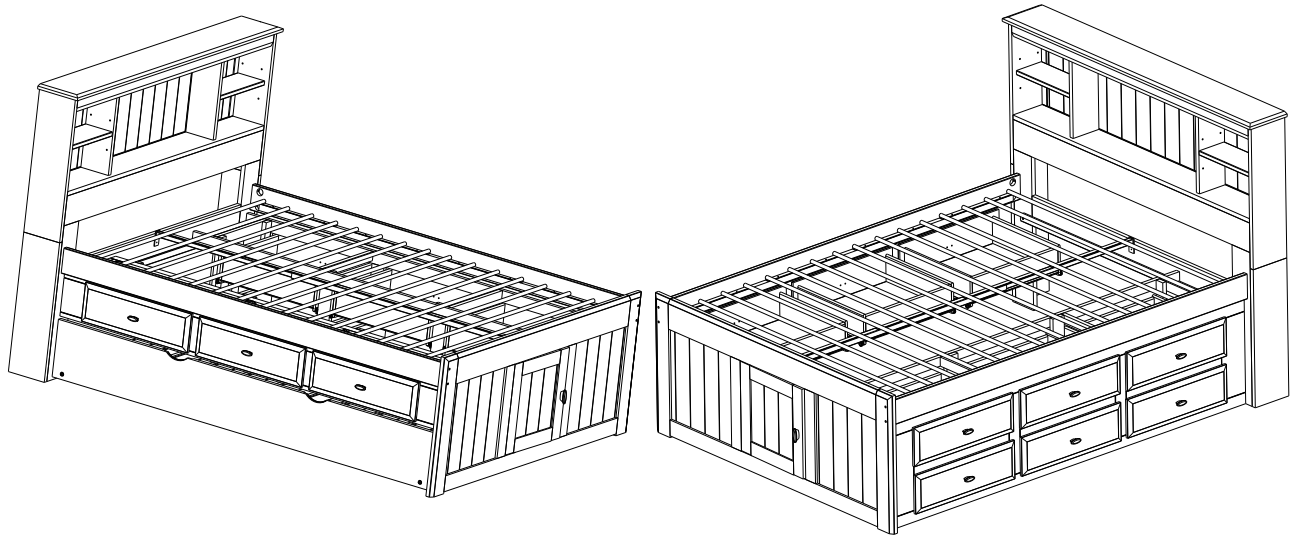


8

Install center support



9



Shown with optional  
3 Drawer elevation unit (3292EKT)  
and Trundle (3290)

Shown with optional  
6 Drawer unit (3293)