



3207 5207 Loft
(Charcoal) (Ash)

SAFETY FIRST !!!!!

All of Discovery's Bunkbeds were designed and manufactured with your child's safety as our top priority. Their unparalleled strength is a bi-product of the safety design. Our bunks meet all compliance with ASTM F 1427-21 "Standard Consumer Safety Specification for Bunk Beds" and Code of Federal Regulations (CFR) 1213 "Safety Standards for Entrapment Hazards in Bunk Beds" and (CFR) 1513 "Requirements for Bunk Beds".

Safety is a cooperative effort between us as the manufacturer, and you as a guardian. Please read and consider the warnings listed below when choosing a mattress and discussing rules of use with your child.

SAFETY WARNINGS

1. Follow the information on the warnings appearing on the upper bunk end structure and on the carton. Do not remove warning label from bed.
2. Always use the recommended size mattress or mattress support, or both, to help prevent the likelihood of entrapment or falls.
3. Surface of mattress must be at least 5 inches (127 mm) below the upper edge of guardrails.
4. Do not allow children under 6 years of age to use the upper bunk.
5. Prohibit more than one person on the upper bunk.
6. Periodically, check and ensure that the guardrail, ladder, and other components are in their proper position, free from damage, and that all connectors are tight.
7. Do not allow horseplay on or under the bed and prohibit jumping on the bed.
8. Always use the ladder for entering and leaving the upper bunk.
9. Do not use substitute parts. Contact the manufacturer or dealer for replacement parts.
10. Use of a nightlight may provide added safety precaution for a child using the upper bunk.
11. Always use guardrails on both long sides of the upper bunk. If bunk bed will be placed next to the wall, the guardrail that runs the full length of the bed should be placed against the wall to prevent entrapment between the bed and wall.
12. The use of water or sleep flotation mattresses is prohibited.
13. Keep these instructions for future reference.

STRANGULATION HAZARD—Never attach or hang items to any part of the bunk bed that are not designed for use with the bed; for example, but not limited to, hooks, belts and jump ropes

SIZE OF MATTRESS AND FOUNDATION

Use only mattress meeting the following specifications on upper and lower bunk

<u>Bed Type</u>	<u>Length</u>	<u>Width</u>
Twin Mattress	74"-75"	37 1/2"-38 1/2"
Full Mattress	74"-75"	52 1/2"-53 1/2"

Ensure thickness of mattress and foundation combined does not exceed 9 inches and mattress is at least 5 inches below upper edge of guardrails.

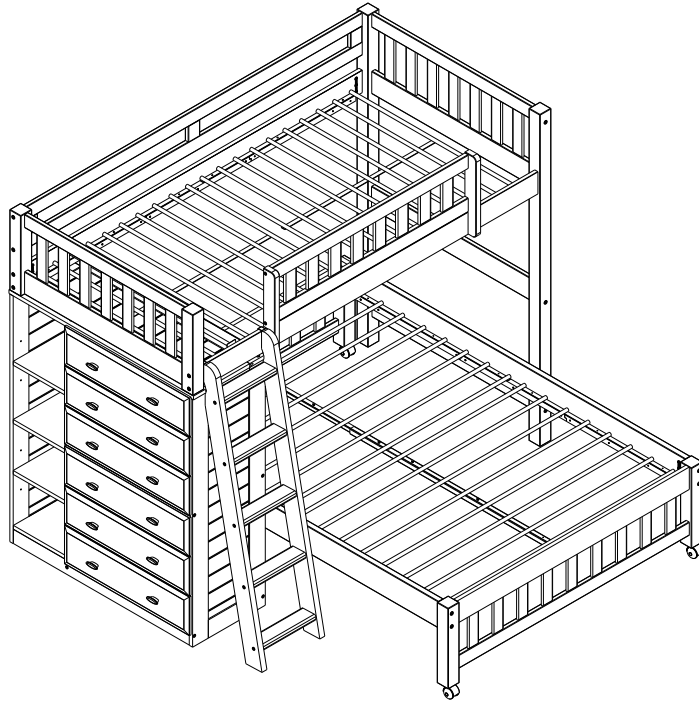
*****Replacement parts, including additional guardrails, may be obtained from any Discovery dealer or directly from us at the below address.

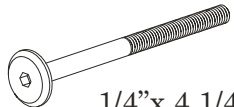
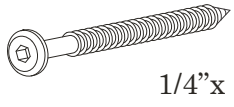
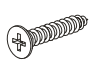
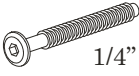
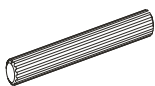
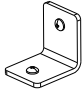
2963 Stonewall Place, Sanford, Fl 32773

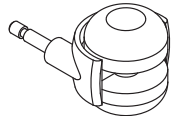


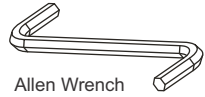

Replacement Parts & Limited Warranty

Discovery World Furniture will replace any component part free of charge for 1 full year via freight collect. Discovery World Furniture will replace any component part for 50% of the then prevailing retail price plus freight for the lifetime of the product unless the product has been discontinued from our line. For service, email your request to: info@discoveryworldfurniture.com

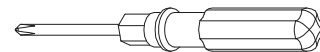
3207/5207 Loft



A	 1/4" x 4 1/4"	20
B	 1/4" x 4"	06
C	 5/8"	06
D	 1/4" x 1 1/2"	02
E	 2"	14
F	 Bracket	02

G	 04	04
H	 1/4" x 2"	04
I	 Shelf pin	08
J	 Allen Wrench	01
K	 Allen bit	01

Requires a phillips screw driver not included



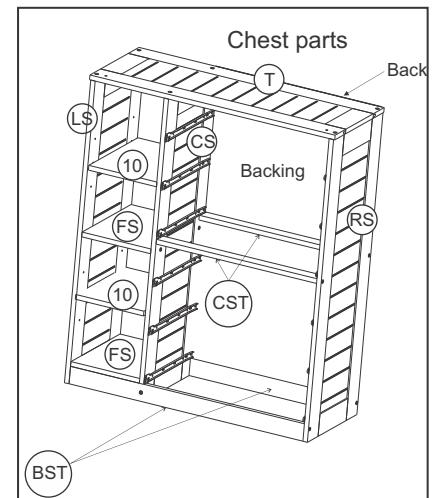
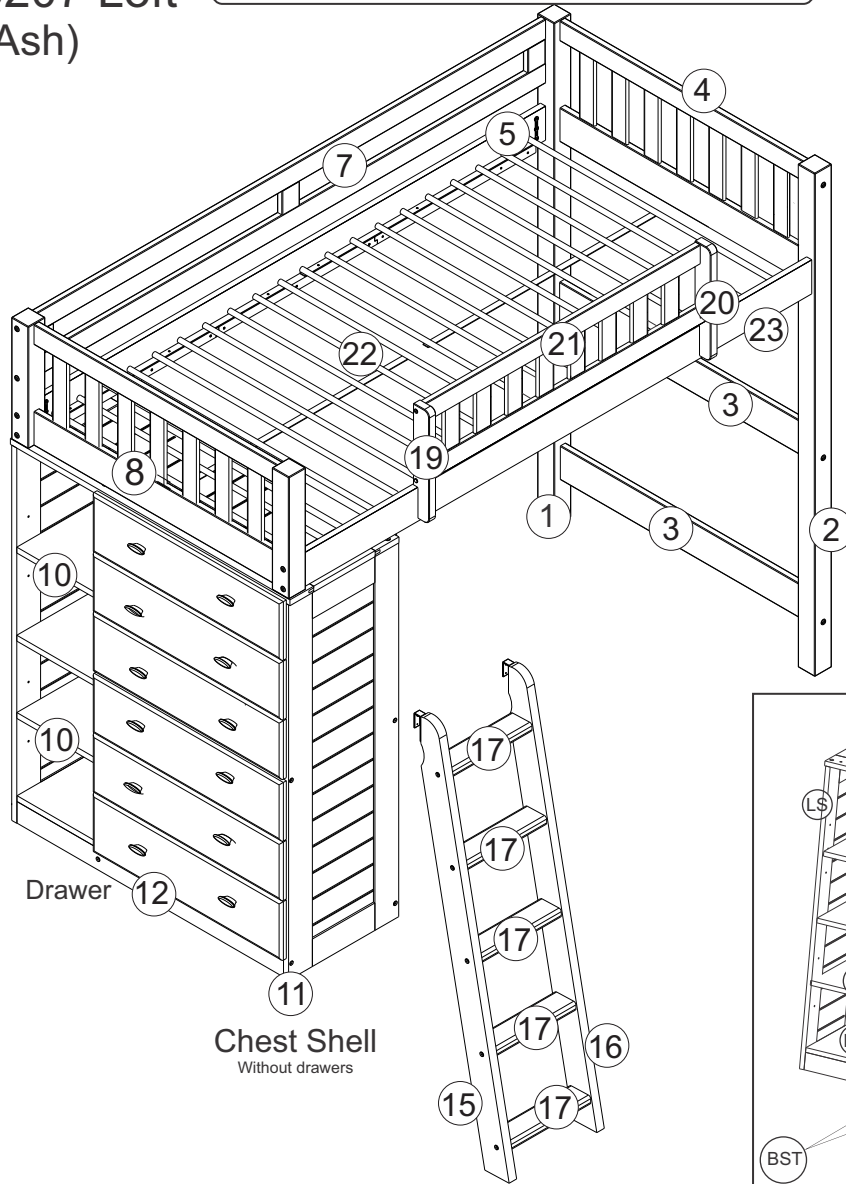
Replacement Parts & Limited Warranty

Discovery World Furniture will replace any component part free of charge for 1 full year via freight collect. Discovery World Furniture will replace any component part for 50% of the then prevailing retail price plus freight for the lifetime of the product unless the product has been discontinued from our line. For service, email your request to: info@discoveryworldfurniture.com

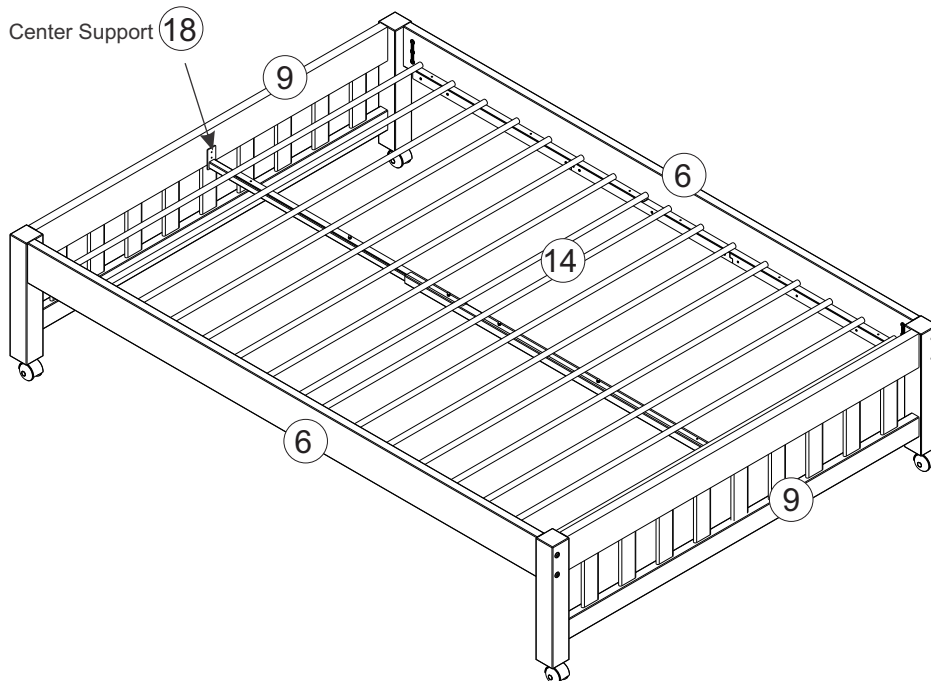
3207 -
(Charcoal)

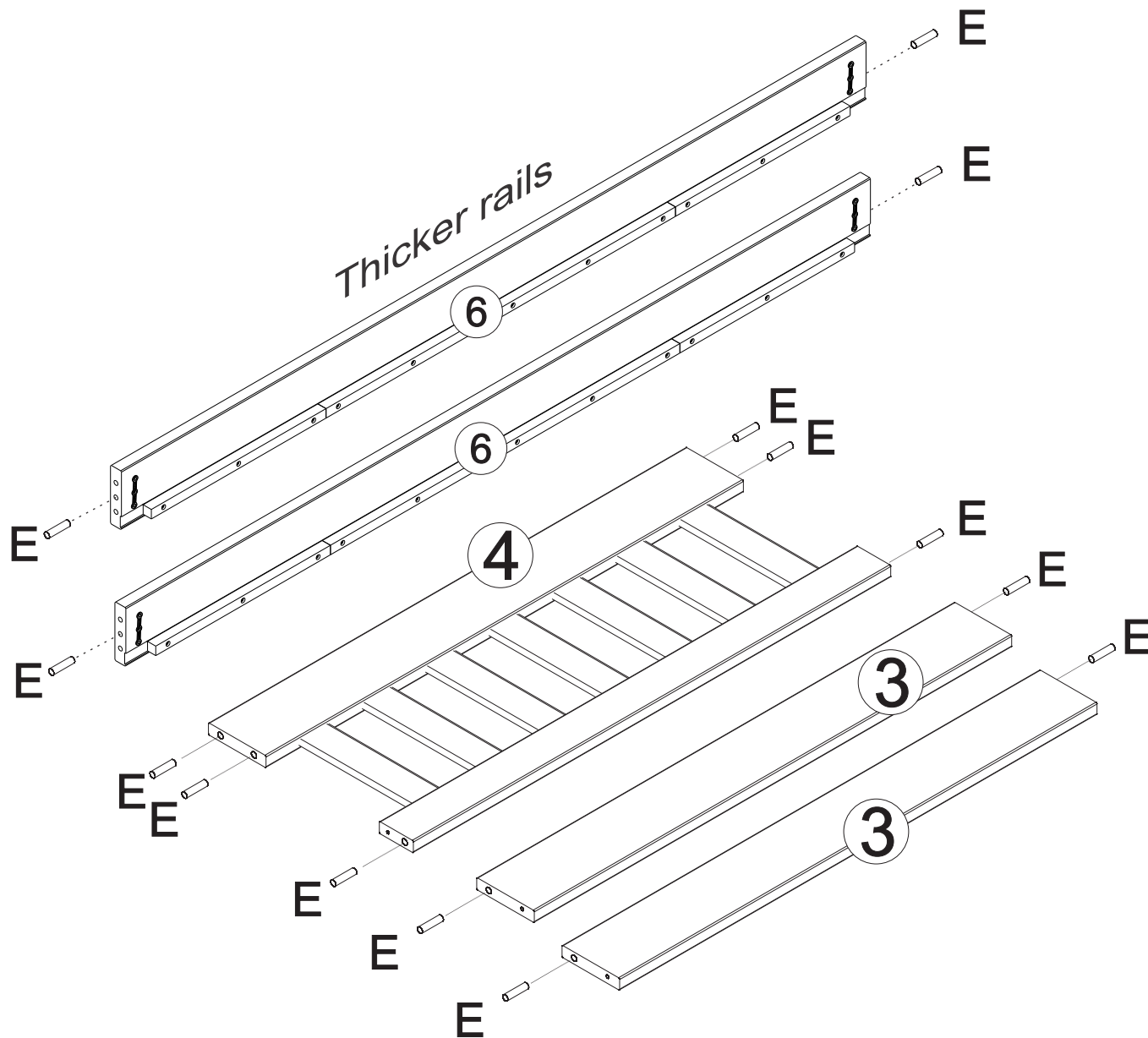
5207 Loft
(Ash)


Assembling loft with chest on the left side



Mattress supports systems may vary (sold separately), please refer to those instructions for proper safe installation





To help prevent serious or fatal injuries from entrapment or fall"  **WARNING**

WARNING

- Never allow a child under 6 years on upper bunk.
- Use only mattress meeting the following specifications on upper and lower bunk:

Bed Type	Length	Width
Twin Mattress	74"-75"	37 1/2" - 38 1/2"
Full Mattress	74"-75"	52 1/2" - 53 1/2"

- Ensure thickness of mattress and foundation combined does not exceed 9" and mattress is at least 5" below upper edge of guardrails.

Strangulation hazard - Never attach or hang items to any part of the bunk bed that are not designed for use with the bed; for example, but not limited to, hooks, belts, and jump ropes.

- Use guardrails on both sides of upper bunk.
- Prohibit horseplay on or under bed(s).
- Prohibit more than one person on upper bunk.
- Use ladder for entering and leaving upper bunk.

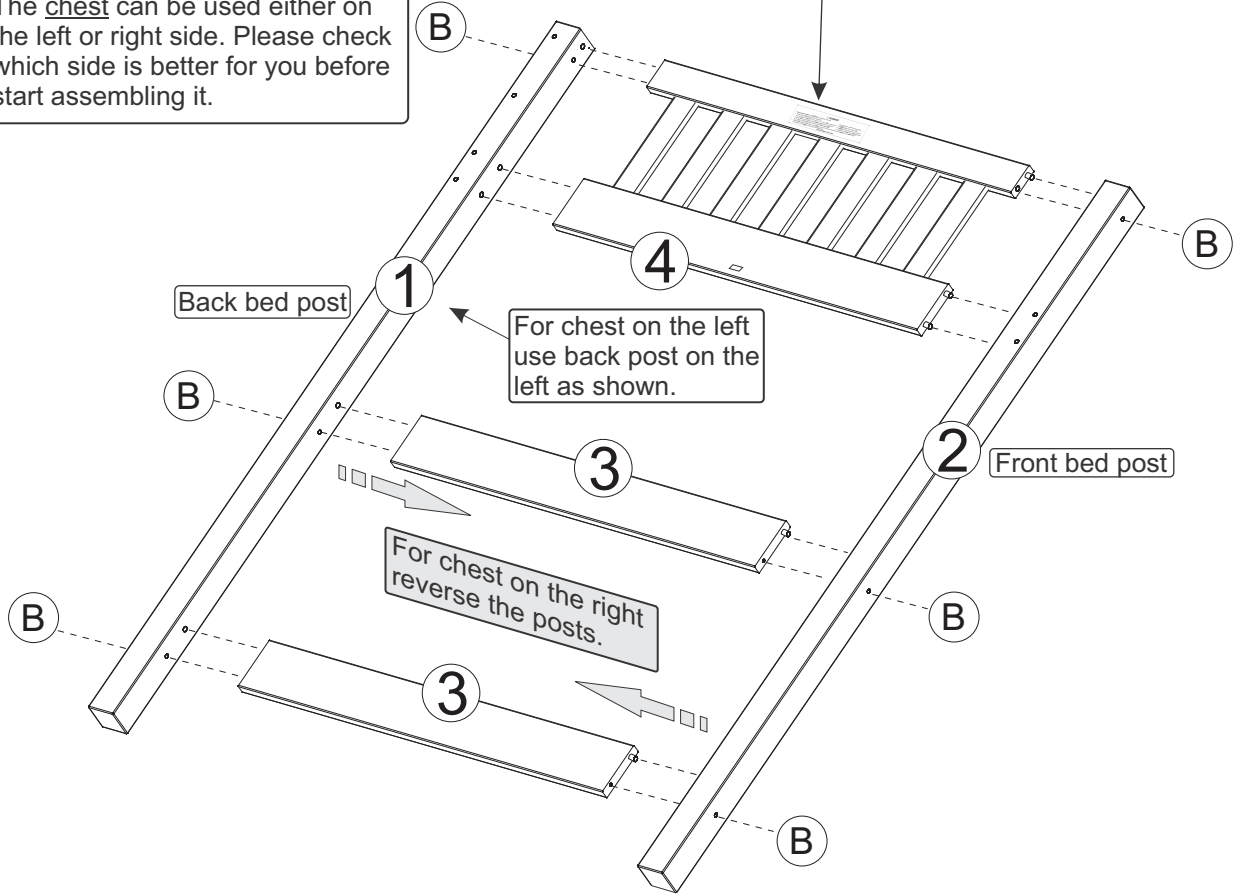
DO NOT REMOVE THIS LABEL

1

IMPORTANT

The chest can be used either on the left or right side. Please check which side is better for you before start assembling it.

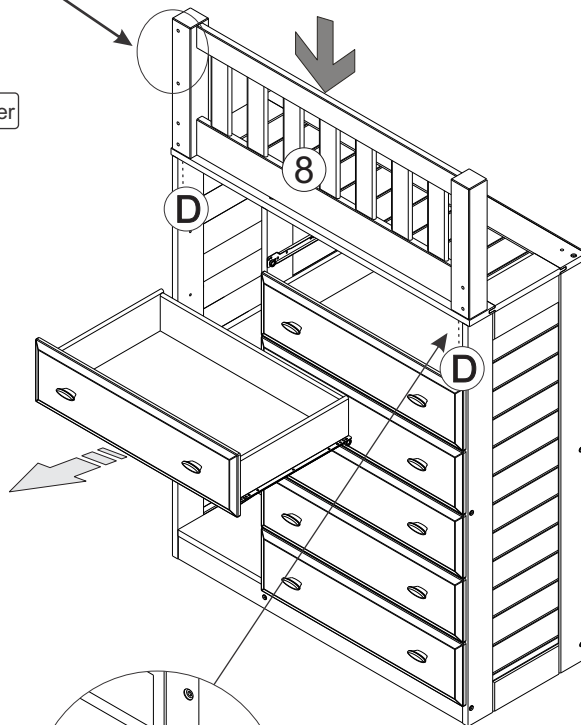
"Please ensure that the warning label is facing up."



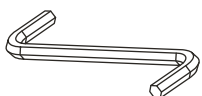
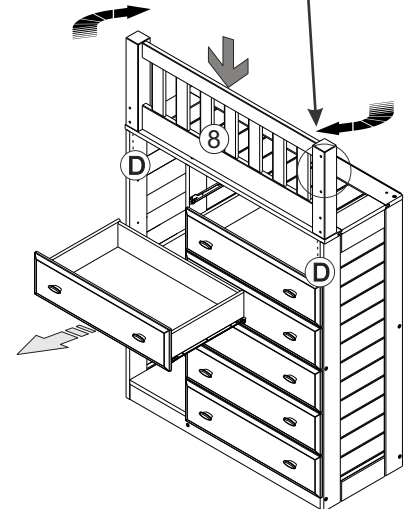
2

For Chest on the left

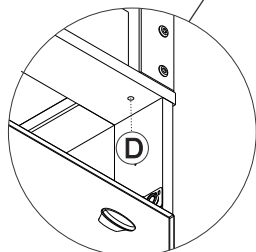
Find knobs on the top drawer



For Chest on the right

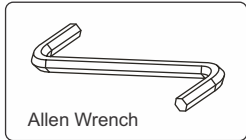
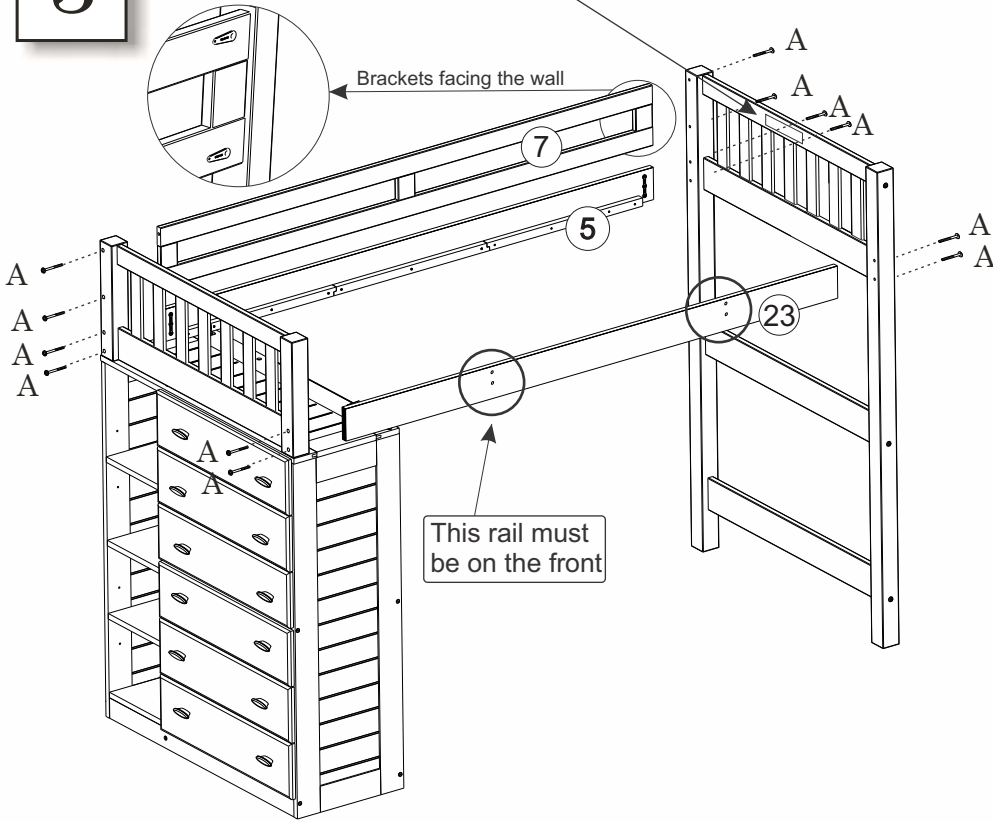


Allen Wrench



3

"Please ensure that the warning label faces the inside of the bed."

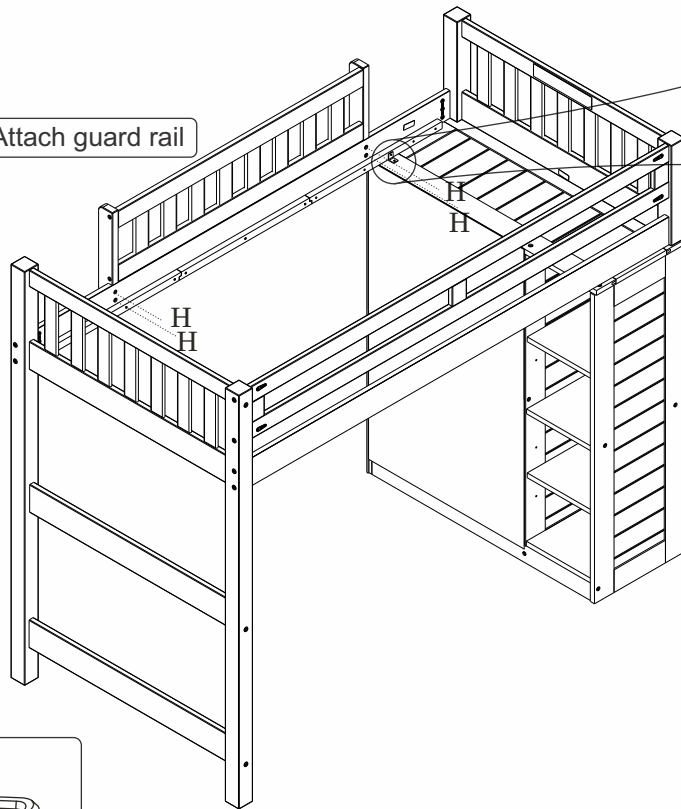


4

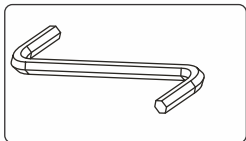
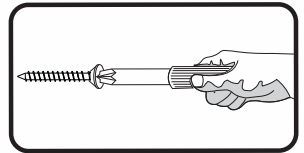
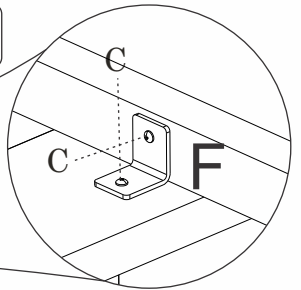
Guard rail instructions and hardware in box #5

Attach bed to the chest using the metal bracket

Attach guard rail



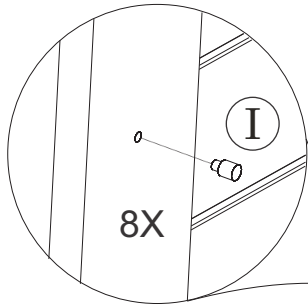
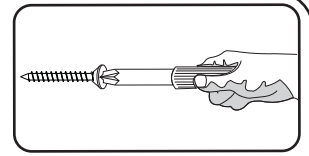
2x



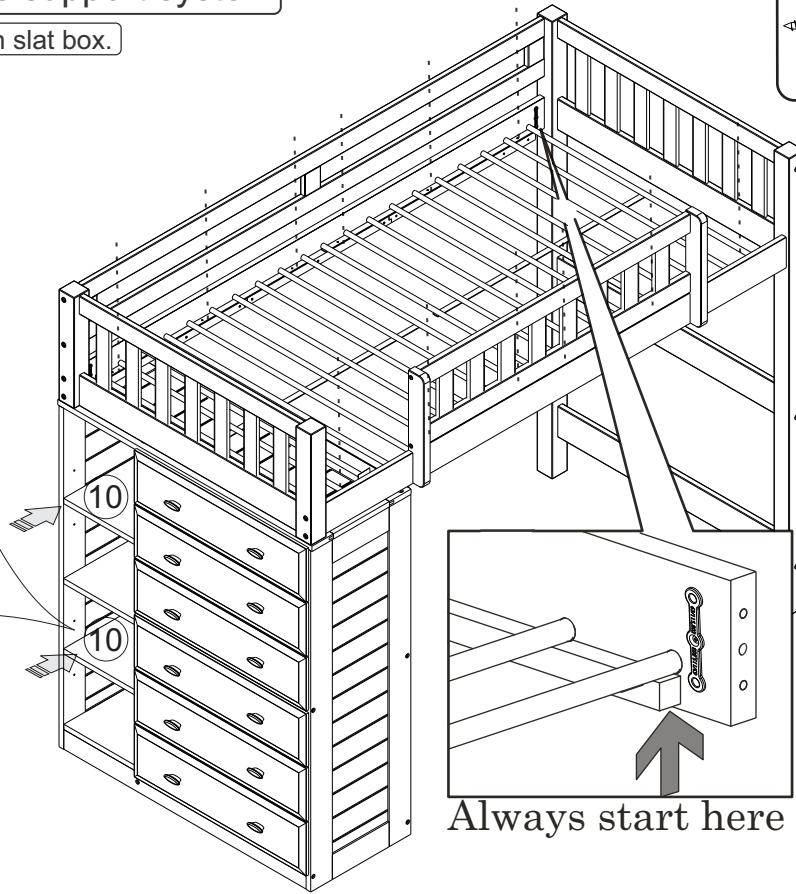
5

Install mattress support system

Find these screws in slat box.



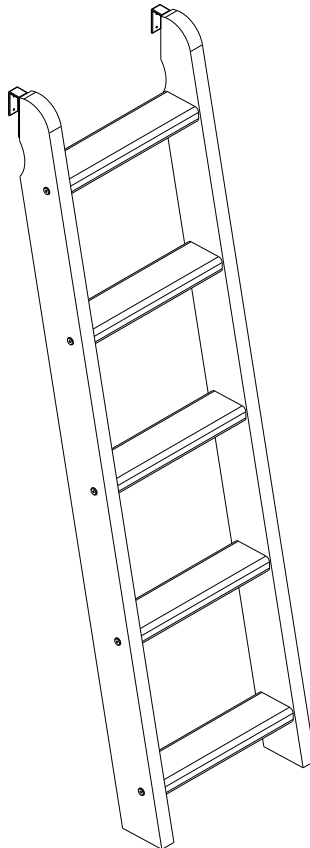
Install shelves



Always start here

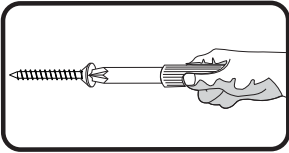
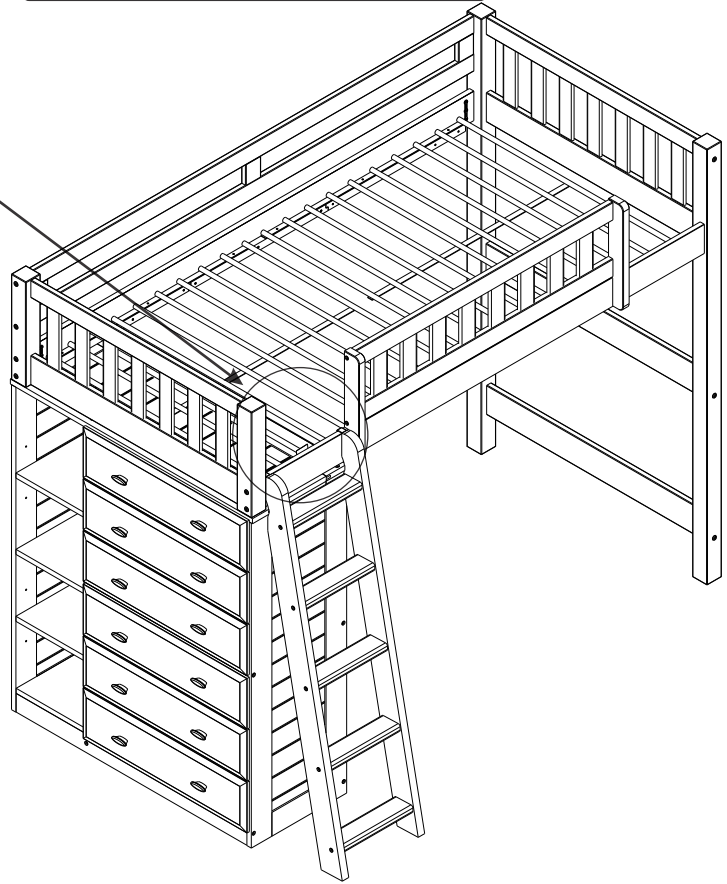
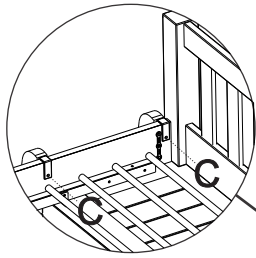
6

Ladder instructions and hardware in box #5



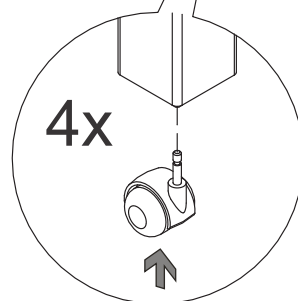
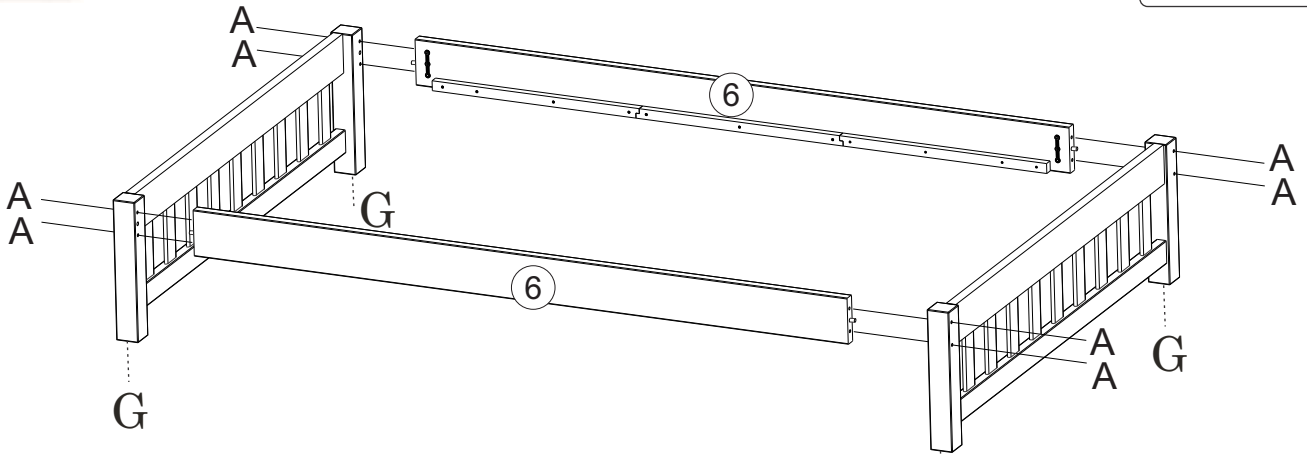
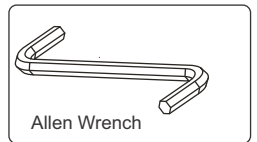
7

Install the ladder as shown



8

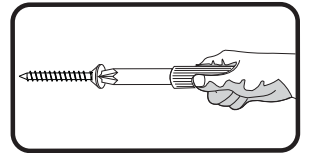
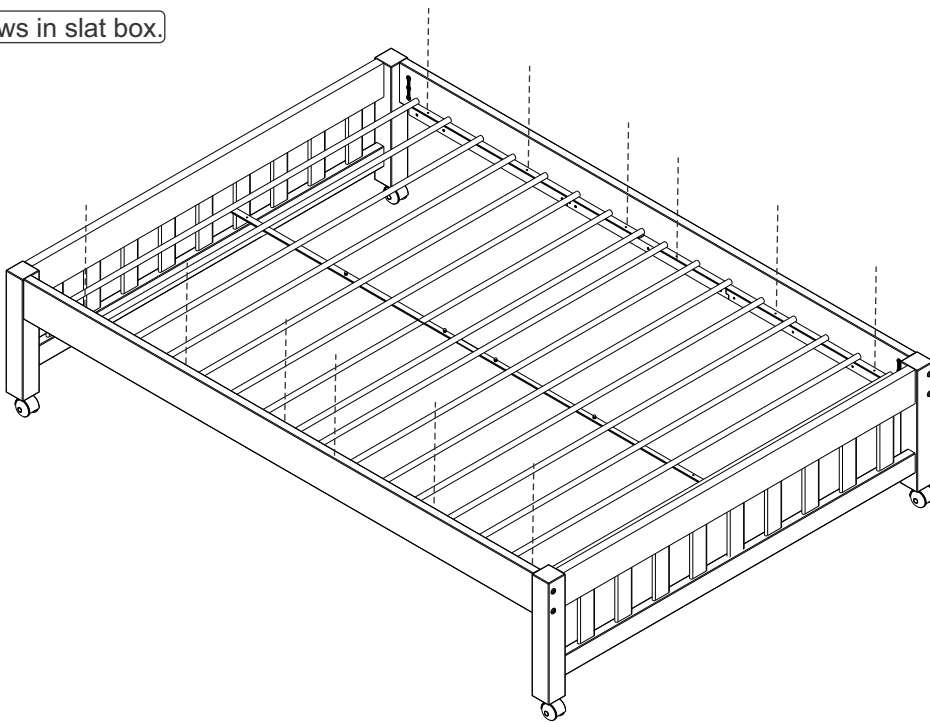
Assemble bottom bed



9

Install mattress support system

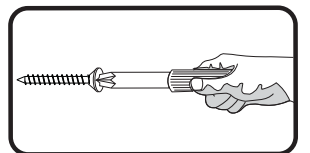
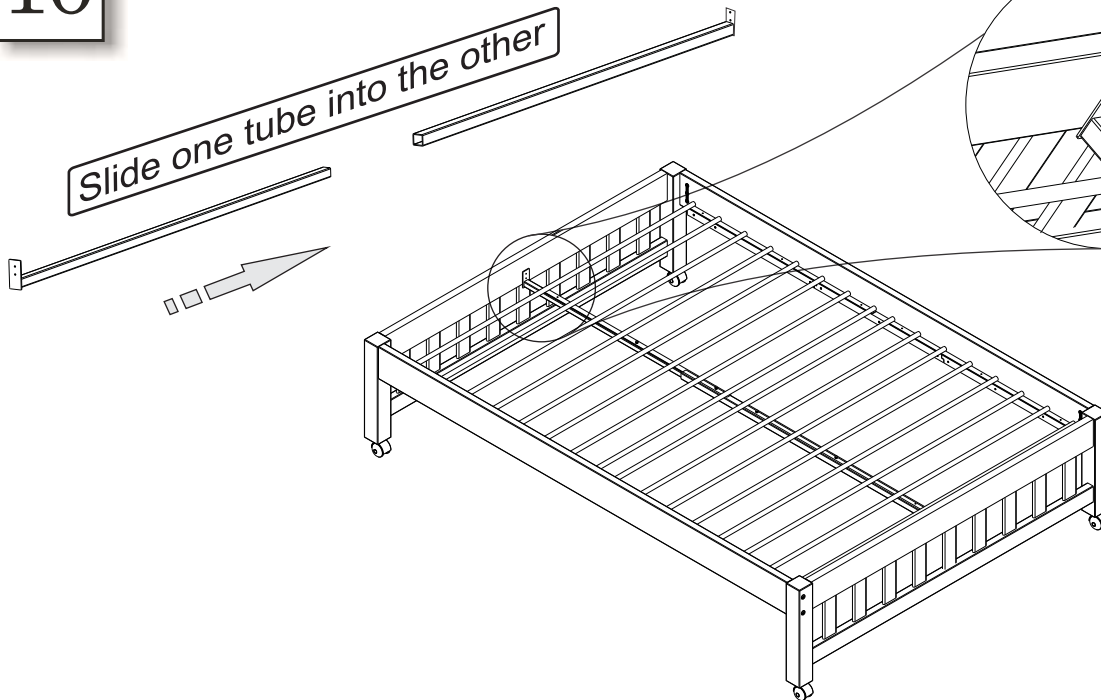
Screws in slat box.



10

Install center support

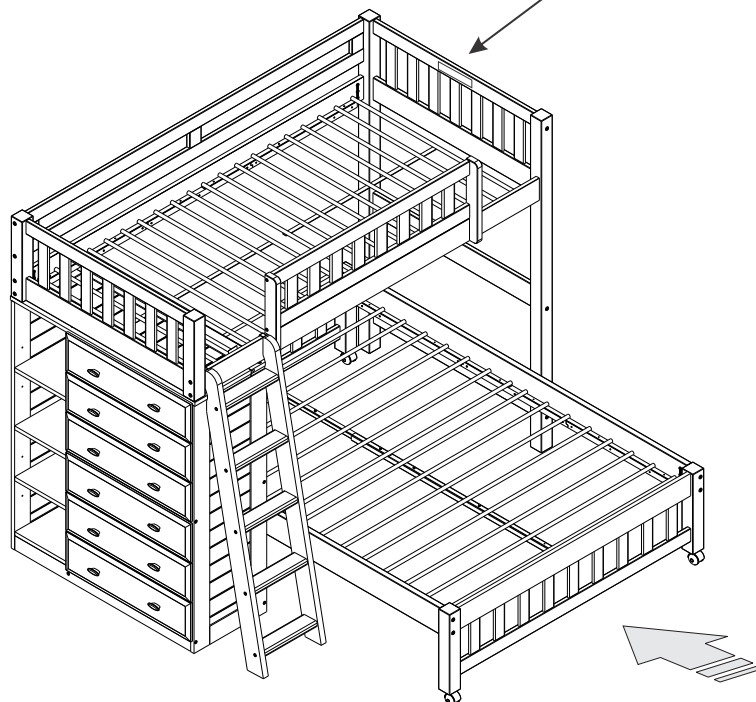
Slide one tube into the other



Hold the center support under the slats until touching, center it on the bed and screw it on both sides using the screws supplied

11

"Please ensure that the warning label faces the inside of the bed."



Shown with chest on the right side

12

"Please ensure that the warning label faces the inside of the bed."

