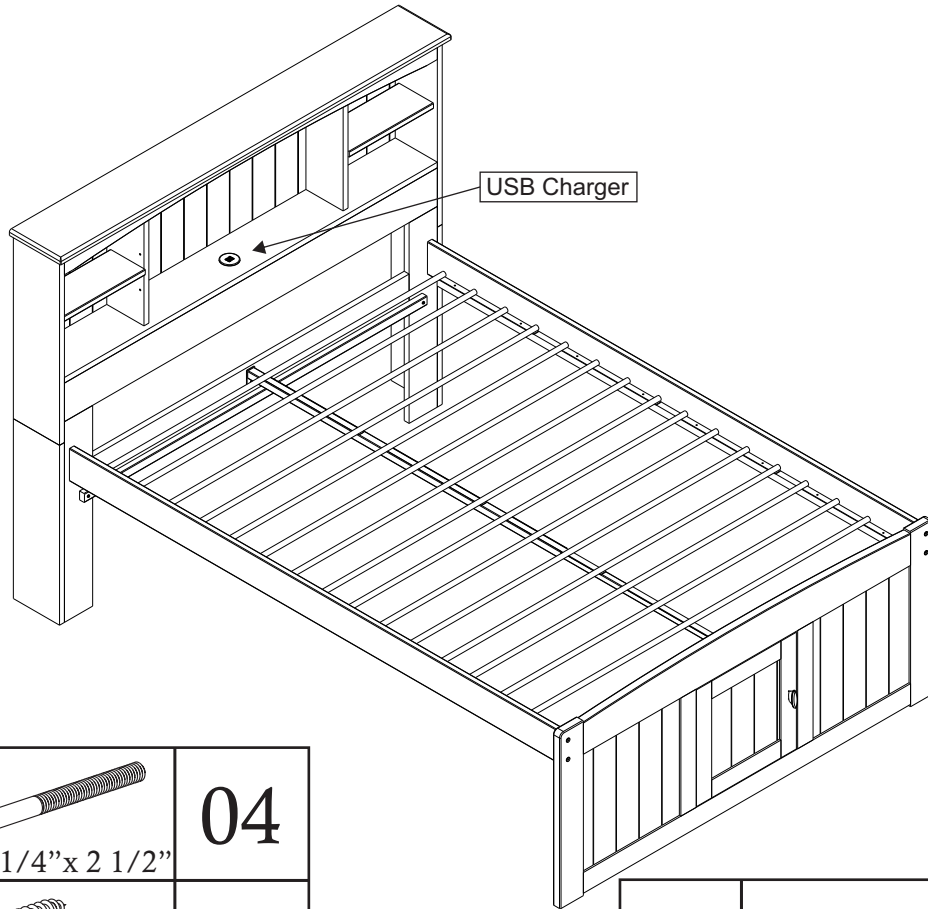
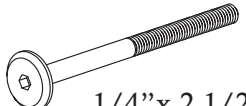
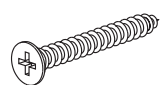

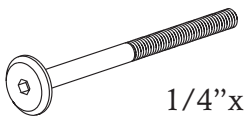

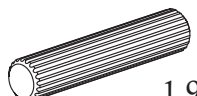
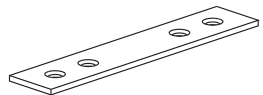
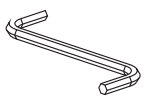

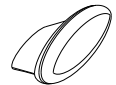





0221-2921 Bookcase Captain's Bed Full



A	 1/4" x 2 1/2"	04
B	 1 1/4"	02
C	 9/16"	08
D	 1/4" x 3"	04
E	 1 9/16"	10
F	 1 9/16"	04

G		02
H		01
I		08
J	 Knob	01
K	 Φ5/32"1"	02

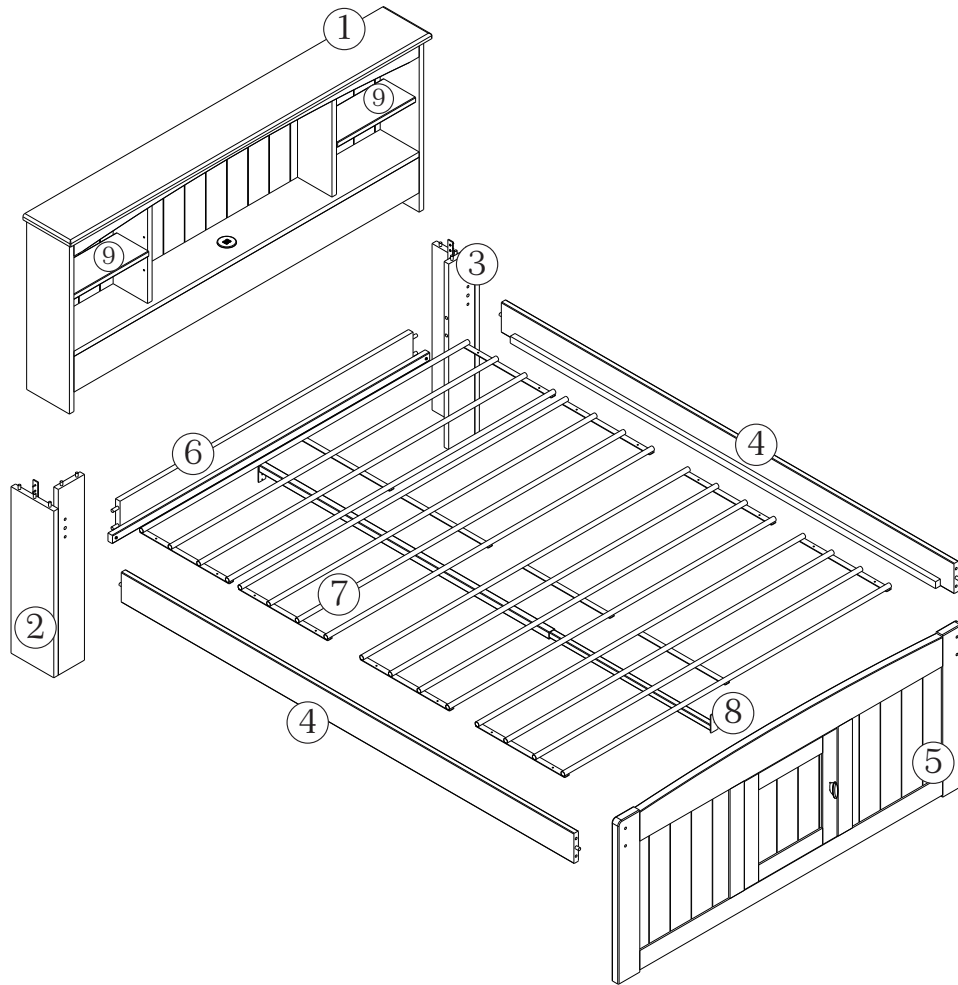
WARRANTY

Replacement Parts & Limited Lifetime Warranty

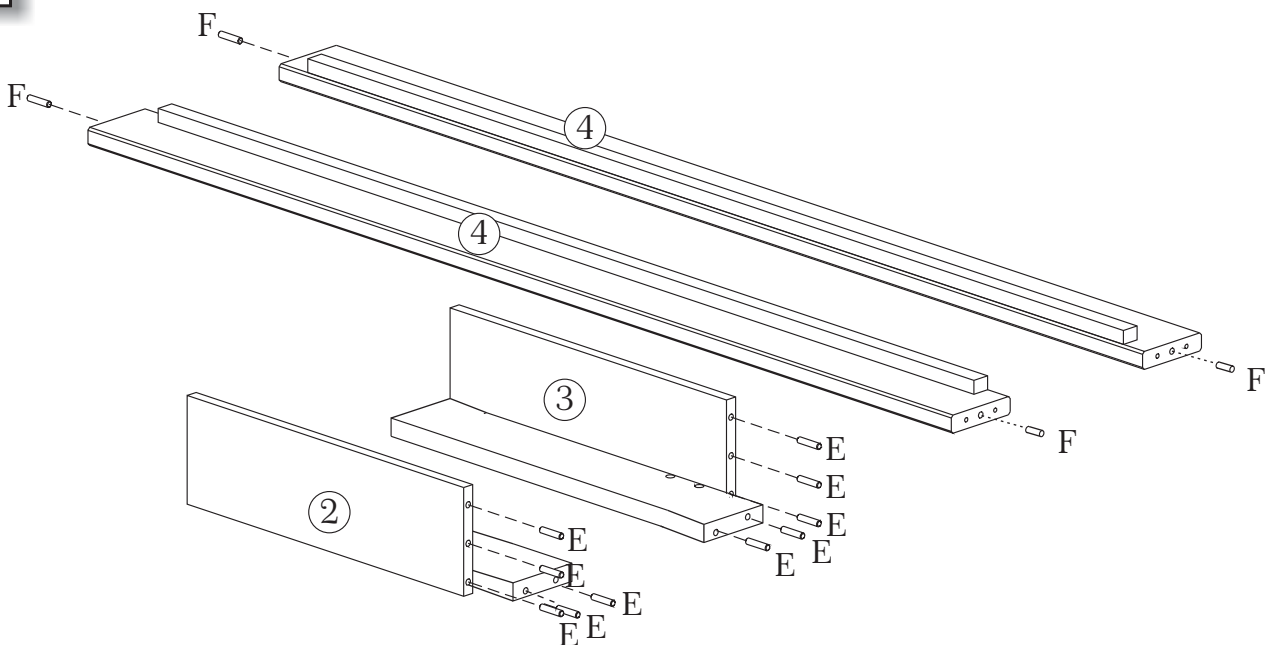
Discovery World Furniture will replace any component part free of charge for 1 full year via UPS freight collect. In addition, Discovery World Furniture will replace any component part for 50% of the then prevailing retail price plus freight for the lifetime of the product. For service, mail your request to:

Discovery World Furniture 915 Cornwall Rd, Sanford, FL 32773

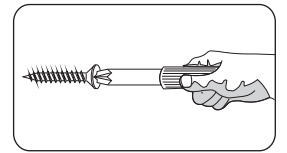
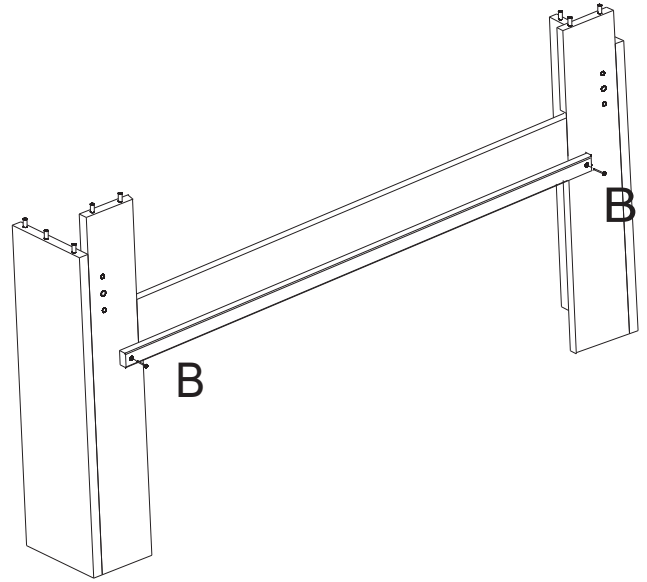
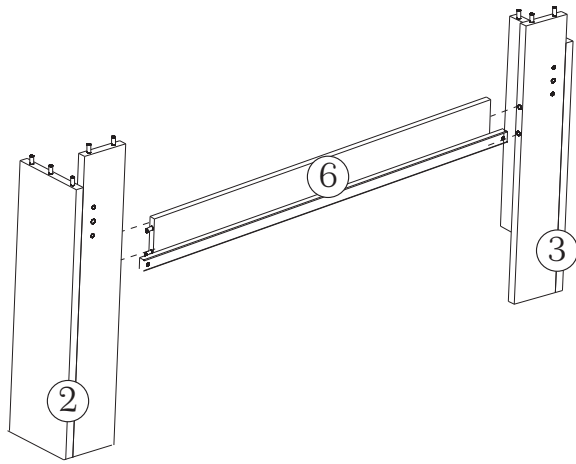
Parts List



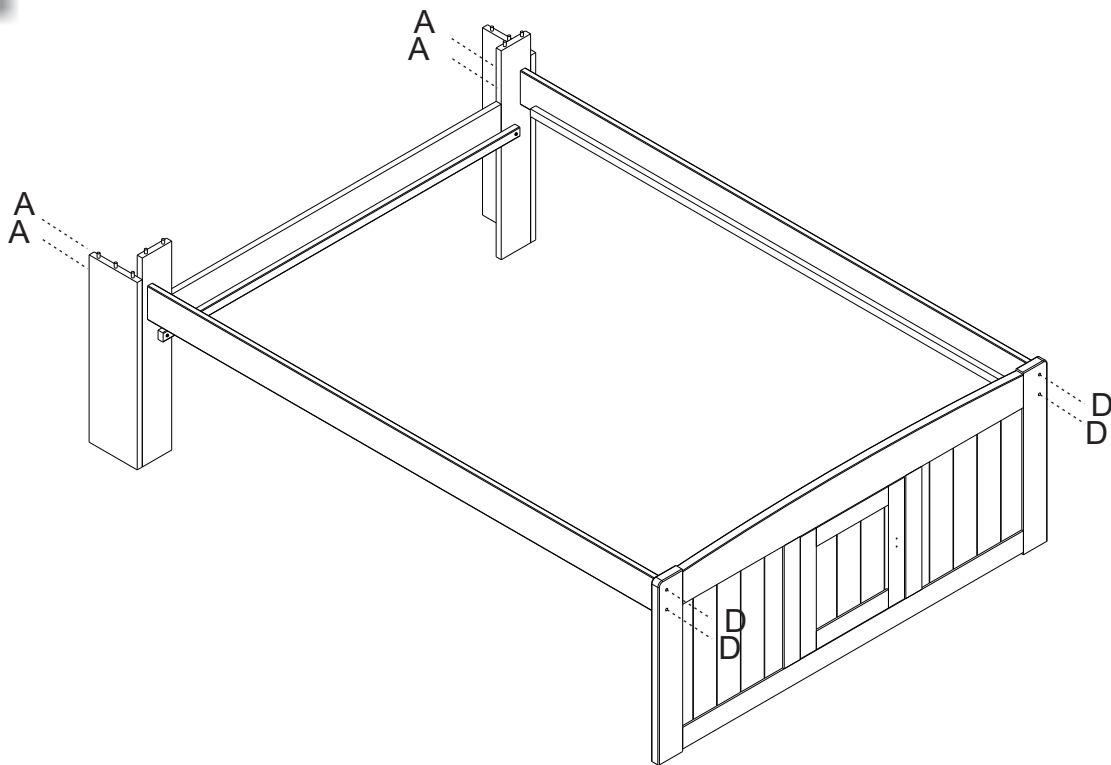
1



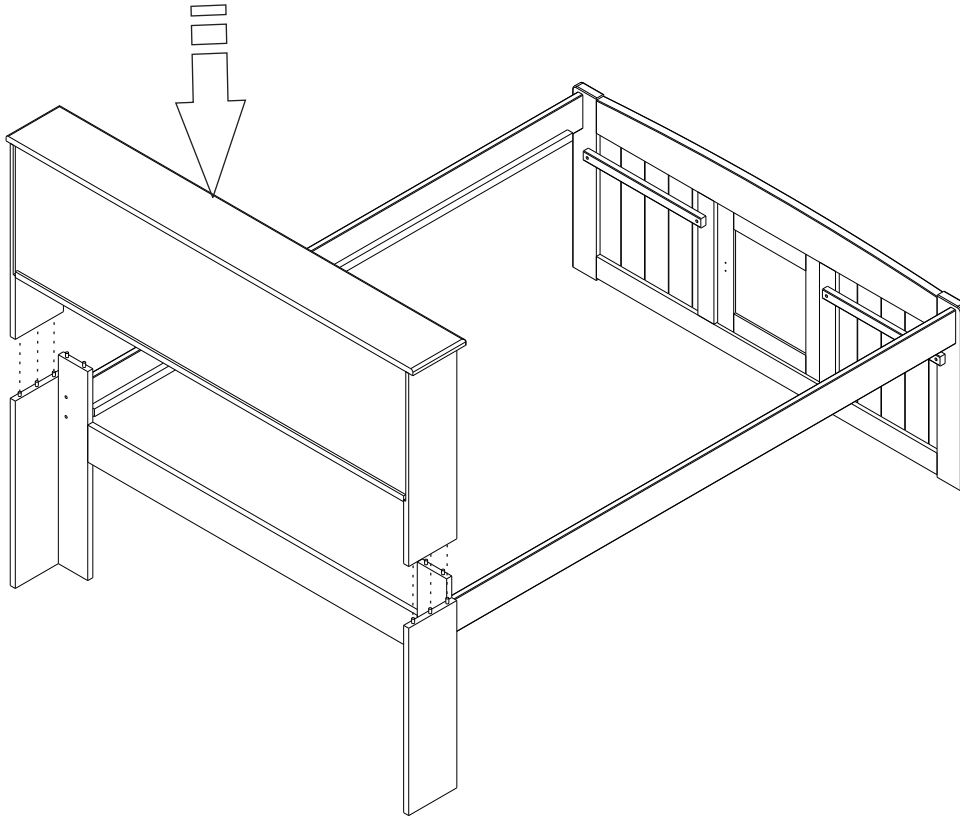
2



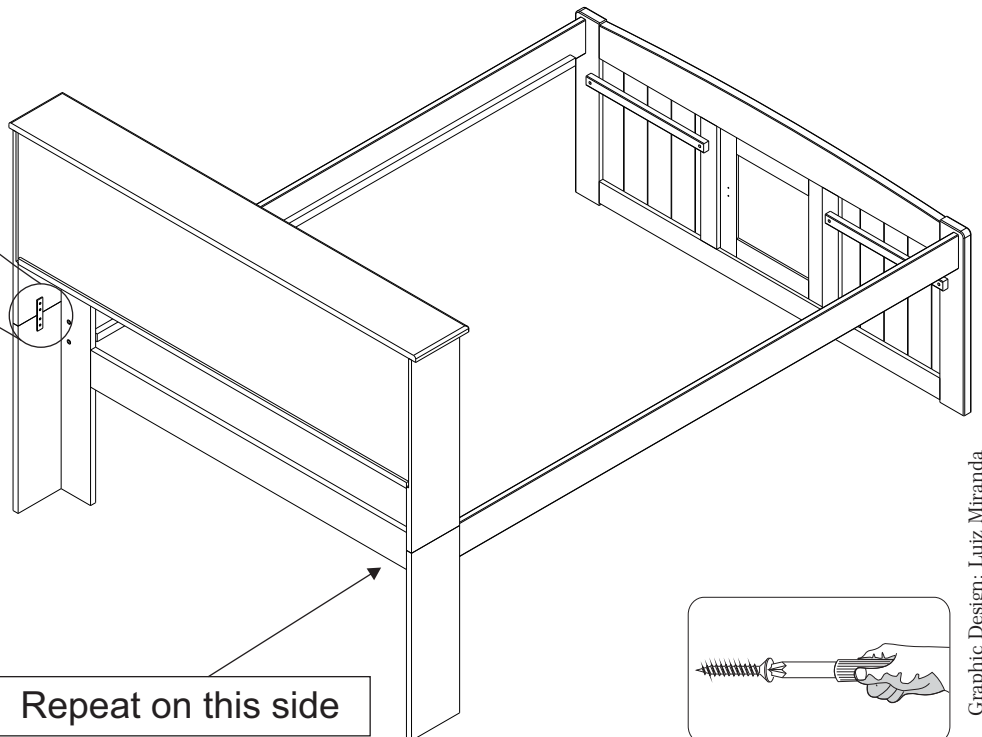
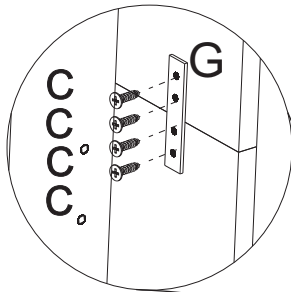
3



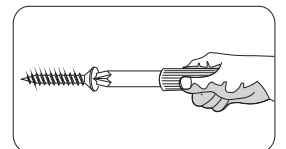
4



5



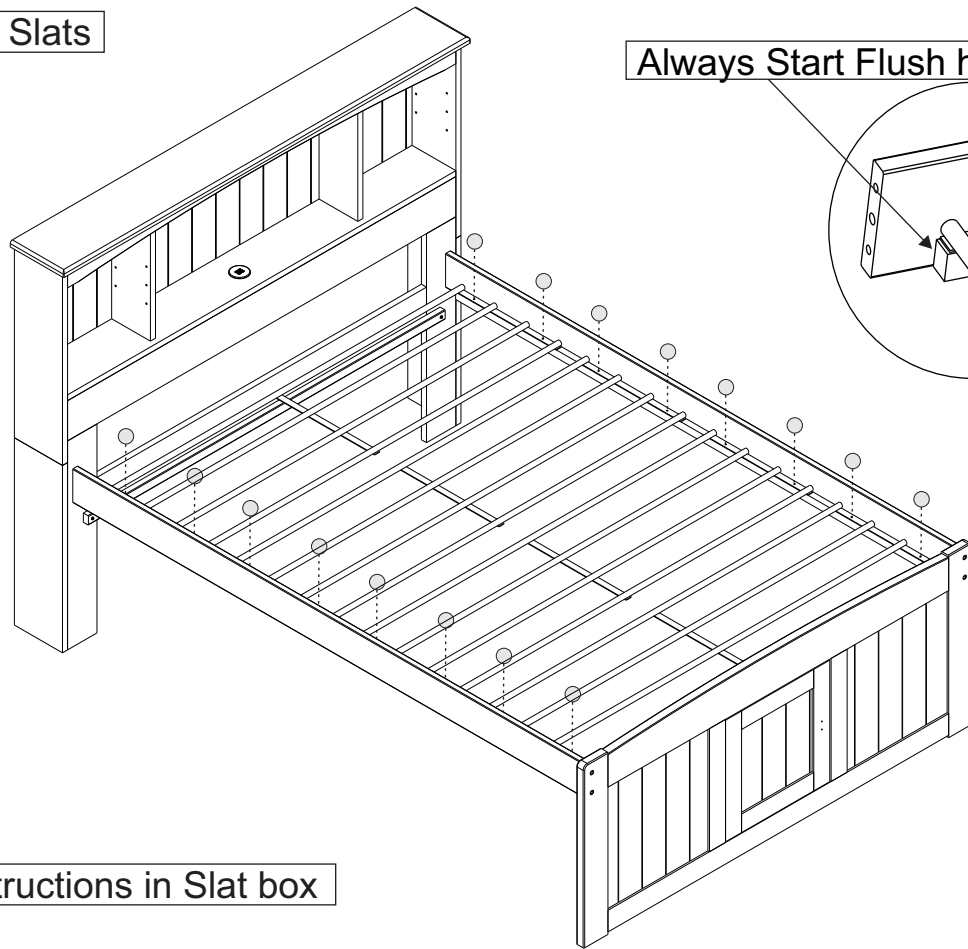
Repeat on this side



6

Install Slats

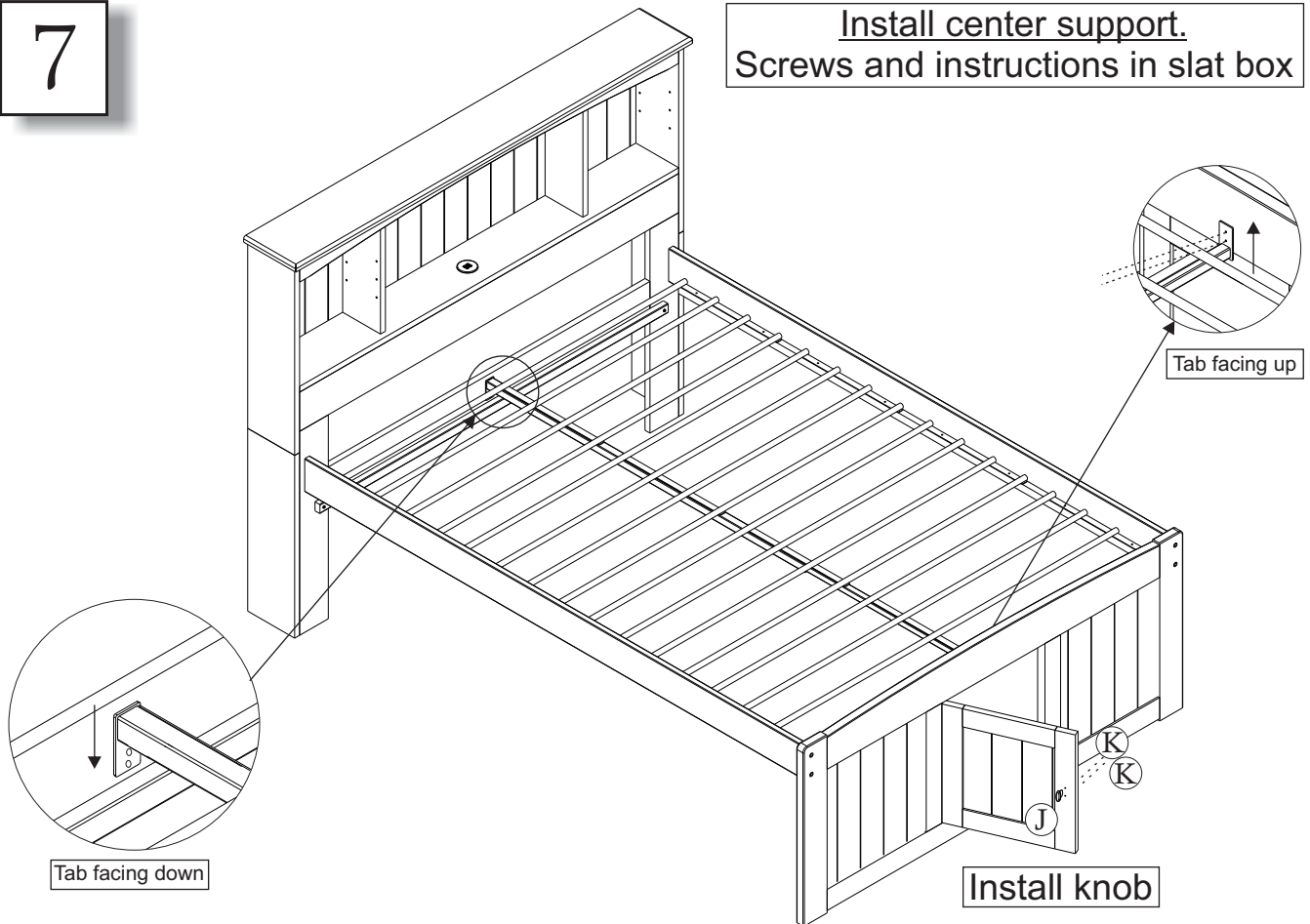
Always Start Flush here



Screws and instructions in Slat box

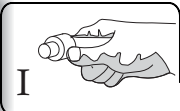
7

Install center support.
Screws and instructions in slat box



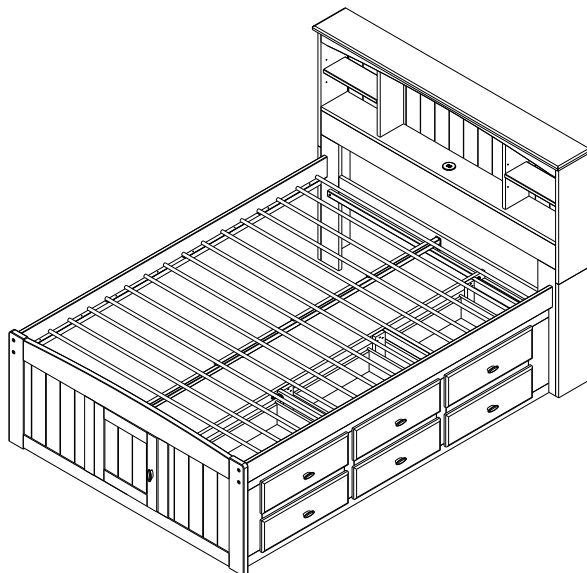
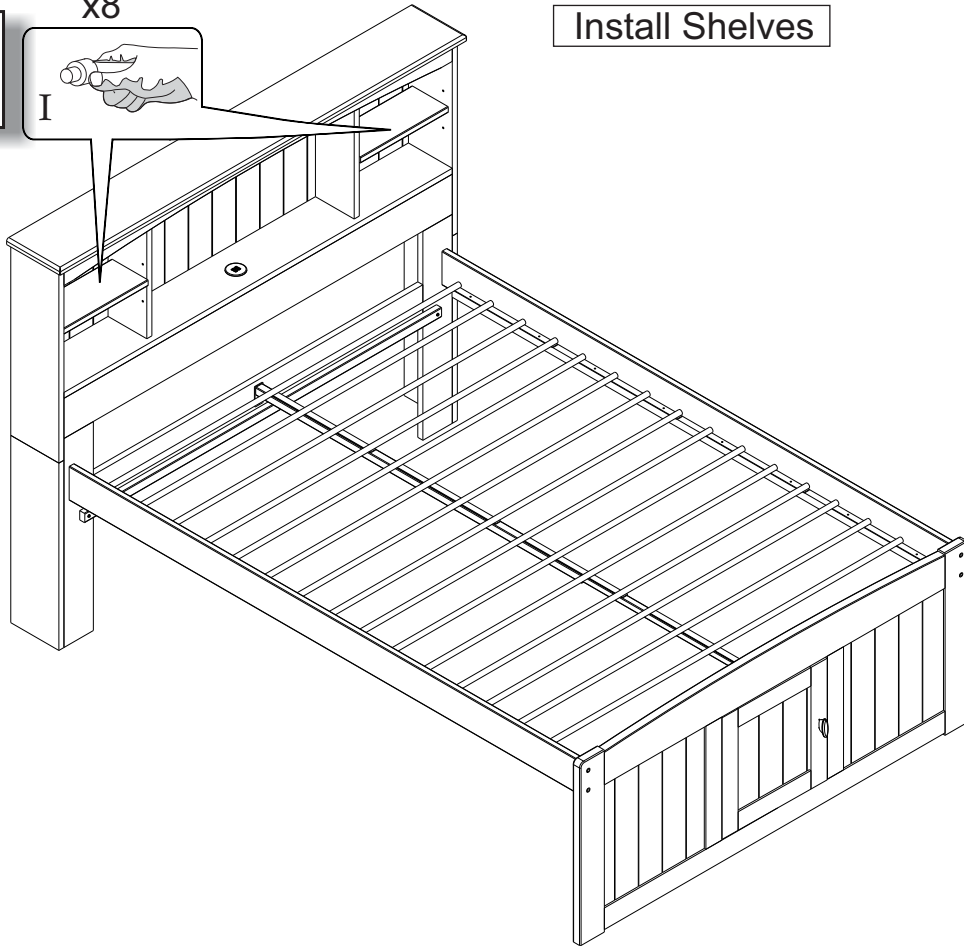
8

x8

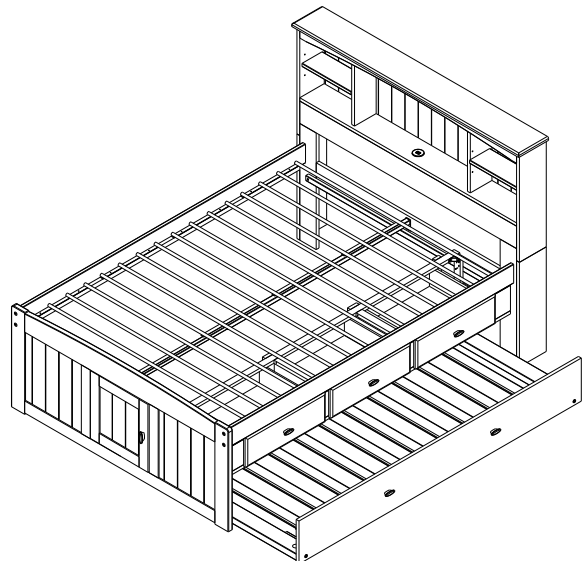


I

Install Shelves



Shown with optional 6 drawer unit.



Shown with optional 3 drawer elevation unit and trundle.